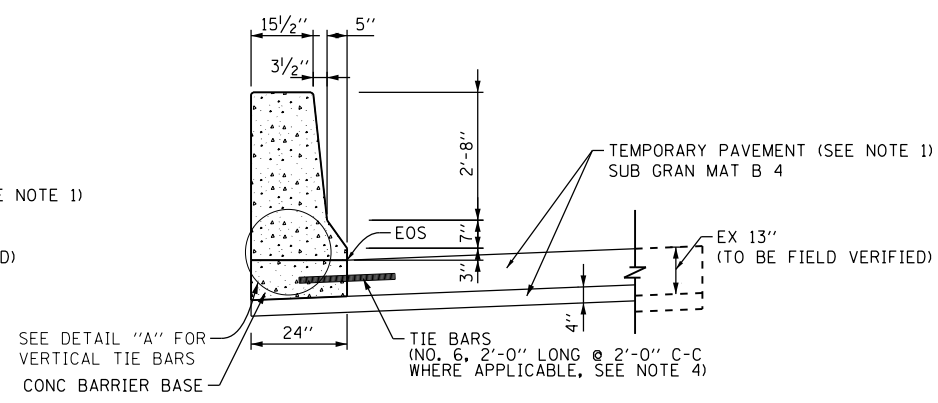
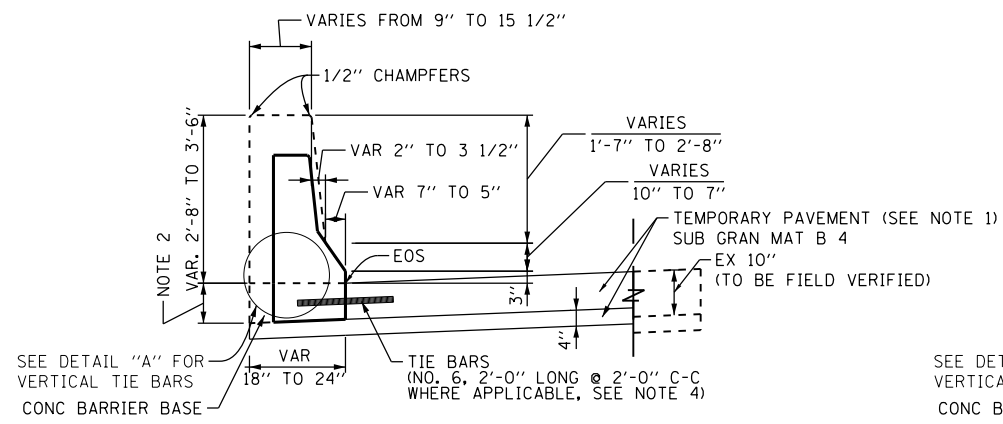


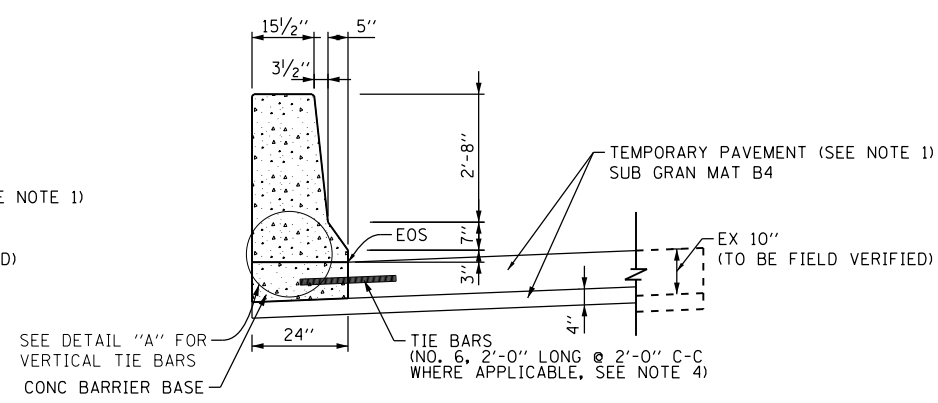
SECTION A-A



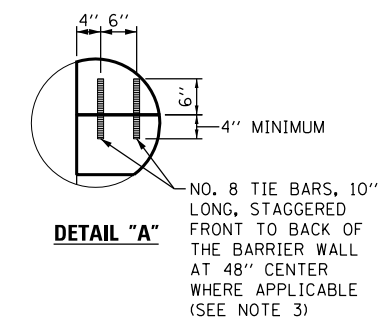
SECTION B-B



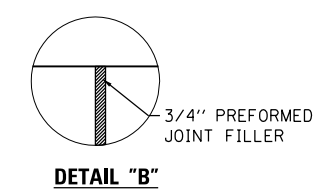
SECTION C-C



SECTION D-D



DETAIL "A"



DETAIL "B"

FILE PATH = p:\388035-p\m\escomon\me\local\AECOM\00\Documents\01\Americas\Transportation\60269938 Circle\Phase 1\000 CAD\005 Roadway\Sheets\60W26 Contract\0160W26-sht-Detail-02



DI60W26-sht-Detail-02
USER NAME = chitua
PLOT SCALE = 10.0000 / in.
PLOT DATE = 8/17/2013

DESIGNED - JWM/OPS
DRAWN - JWM/OPS
CHECKED - DBM
DATE - 8/20/13

REVISED -
REVISED -
REVISED -
REVISED -

STATE OF ILLINOIS
DEPARTMENT OF TRANSPORTATION

ROADWAY DETAILS
CONCRETE BARRIER WALL (SPECIAL)
SCALE: N.T.S. SHEET 2 OF 12 SHEETS STA. TO STA.

F.A.I. RTE.	SECTION	COUNTY	TOTAL SHEETS	SHEET NO.
90/94/290	2013-008R	COOK	559	492
CONTRACT NO. 60W26				
ILLINOIS FED. AID PROJECT				