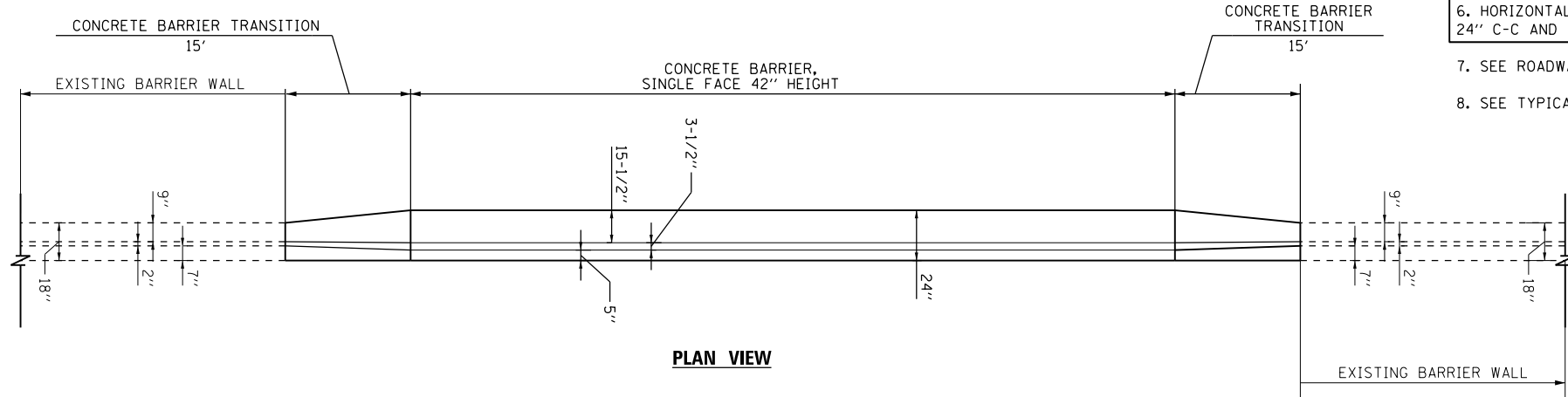
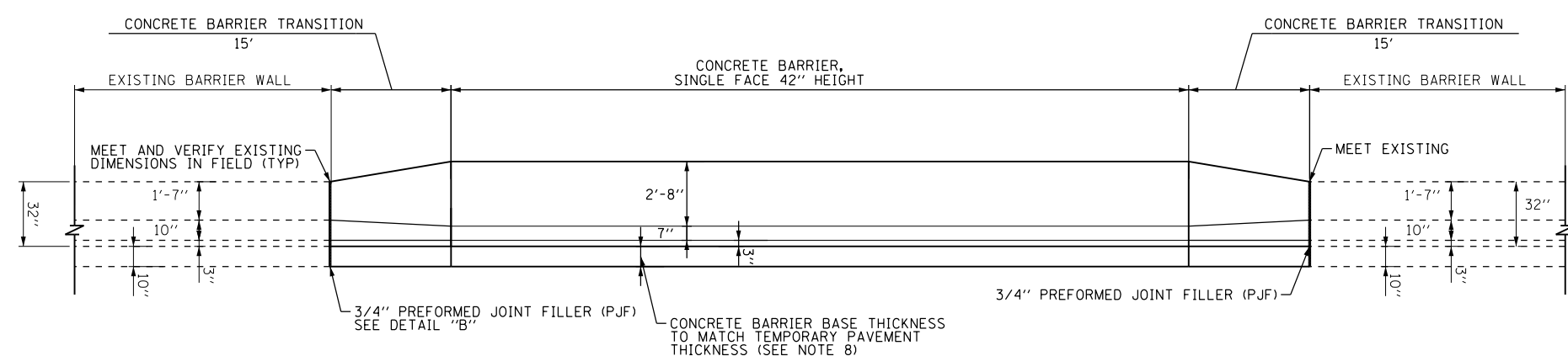


- NOTES:**
1. EXPANSION JOINTS SHOWN ON THIS DRAWING SHALL BE PERFORMED JOINT MATERIAL (BITUMINOUS TYPE) FILLER SHALL MEET AASHTO DESIGNATION M-33.
 2. ALL WORK DETAILED HEREIN SHALL BE INCLUDED IN THE COST OF THE VARIOUS CONCRETE BARRIER PAY ITEMS UNLESS OTHERWISE NOTED.
 3. PREFORMED JOINT FILLER SHALL BE INCLUDED IN THE COST OF THE CONCRETE BARRIER TRANSITION.
 4. JOINTS SHALL BE CONSTRUCTED AS SHOWN ON THE PLANS AND IN ACCORDANCE WITH ARTICLE 637.08 OF THE STANDARD SPECIFICATIONS
 5. TWO VERTICAL EPOXY COATED, NO. 8 TIE BARS, 10" LONG, SHALL BE PLACED STAGGERED FRONT TO BACK OF THE BARRIER WALL AT 48" CENTERS ALONG THE CONCRETE BARRIER TRANSITION. TIE BARS SHALL BE INCLUDED IN THE COST OF CONCRETE BARRIER TRANSITION.
 6. HORIZONTAL TIE BARS SHALL BE NO. 6 EPOXY COATED, 24" LONG, 24" C-C AND SHALL BE INCLUDED IN THE COST OF THE BARRIER BASE.
 7. SEE ROADWAY DETAILS SHEETS 1 AND 2 FOR ADDITIONAL DETAILS.
 8. SEE TYPICAL SECTION SHEET 6 FOR TEMPORARY PAVEMENT DETAILS.

PLAN VIEW
CONCRETE BARRIER, SINGLE FACE 42" HEIGHT
AT WS RAMP



PLAN VIEW



ELEVATION VIEW

FILE PATH = p:\388035-p\m\escomon\me\local\p\AEC\000\Documents\01_Americas\Transportation\6269938_Circle\Phase_1\000_CAD\006_Roadway_Sheets\60W26_Contract_0160W26-sht-Detail-04



D160W26-sht-Detail-04
 USER NAME = chitua
 PLOT SCALE = 10.0000" / in.
 PLOT DATE = 8/17/2013

DESIGNED - JWM	REVISED -
DRAWN - JWM	REVISED -
CHECKED - DBM	REVISED -
DATE - 8/20/13	REVISED -

STATE OF ILLINOIS
DEPARTMENT OF TRANSPORTATION

ROADWAY DETAILS

SCALE: N.T.S. SHEET 11 OF 12 SHEETS STA. TO STA.

F.A.I. RTE.	SECTION	COUNTY	TOTAL SHEETS	SHEET NO.
90/94/290	2013-008R	COOK	559	501
CONTRACT NO. 60W26				
ILLINOIS FED. AID PROJECT				