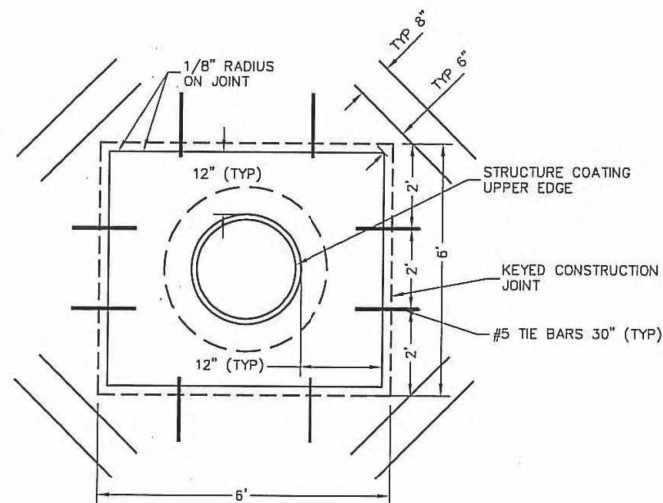


**DETAIL OF STRUCTURE CASTING ISOLATION BOX FOR  
P.C.C. PAVEMENT AND P.C.C. BASE COURSE**

2-#4 DEFORMED TIE BARS 30" LONG AT A MID  
DEPTH (TYPICAL) SEE SPECIAL CONDITION BELOW.



**DETAIL OF BOX IN PAVEMENT**

**SPECIAL CONDITIONS:**

TIE BARS SHALL NOT BE INSTALLED AT ISOLATION BOX CORNERS WHERE EITHER SIDE OF THE BOX FORMING SAID CORNER IS A LONGITUDINAL OR TRAVERSE JOINT. MOREOVER, AT NO TIME SHALL A TIE BAR CROSS A JOINT (ALREADY FORMED OR PROPOSED) IN THE VICINITY OF THE ISOLATION BOX. IF THIS SITUATION OCCURS, THE TIE BAR SHALL BE ADJUSTED PARALLEL TO THE AXIS OF THE BAR SO THAT THE END OF THE BAR IS NO CLOSER THAN 1 1/2" TO THE JOINT.

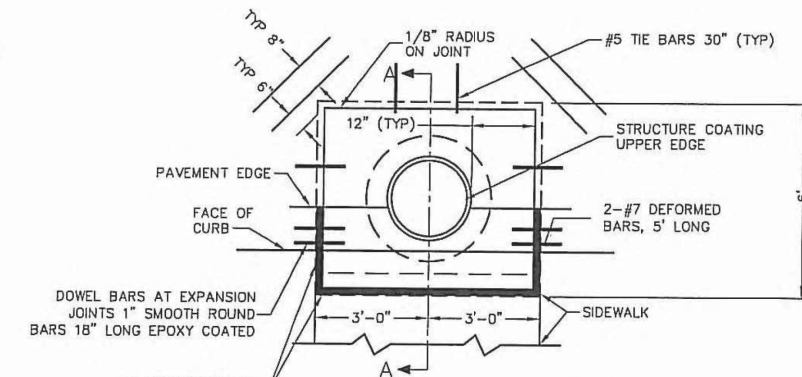
ONLY BY THE DIRECTION OR APPROVAL OF THE COMMISSIONER SHALL THE DISTANCE BETWEEN THE UPPER EXTERNAL CASTING EDGE AND THE EDGE OF STANDARD ISOLATION BOX, SHOWN AS 12", BE INCREASED SO THAT AN IMMOVABLE LONGITUDINAL JOINT AND (OR) TRAVERSE JOINT WILL THEN THENCE FORM (O) SIDE (S) OF THE BOX. THIS ADJUSTMENT WILL BE ALLOWED ONLY WHEN THE DISTANCE BETWEEN THE SIDE OF THE STANDARD ISOLATION BOX AND IMMOVABLE JOINT IS 18" OR LESS.

BACKFILL MATERIAL AROUND STRUCTURE WILL BE COMPACTED TO 95% MODIFIED PREATOR PRIOR TO THE PLACEMENT OF CONCRETE WITHIN THE ISOLATION BOX.



DATE	REVISION	CITY OF CHICAGO		
—	—	DETAILS OF STRUCTURE CASTING ISOLATION BOX		
		DATE	SHEET	DRAWN BY
		12/21/06	A-2-12A	CDOT

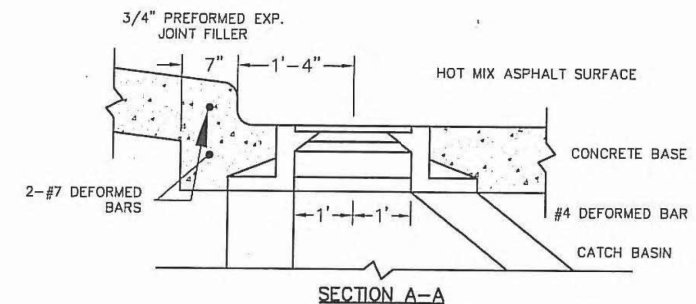
**DETAIL OF STRUCTURE CASTING ISOLATION BOX  
FOR P.C.C. PAVEMENT AND BASE COURSE**



**DETAIL OF BOX IN CURB & GUTTER**

**NOTES:**

- STRUCTURE CASTING MAY BE ROUND OR RECTANGULAR.
- CONCRETE WITHIN THE ISOLATION BOX WILL BE OF THE SAME TYPE AND THICKNESS AS CONCRETE IN THE ADJACENT PAVEMENT.



**SECTION A-A**



DATE	REVISION	CITY OF CHICAGO		
—	—	DETAILS OF STRUCTURE CASTING ISOLATION BOX FOR P.C.C. PAVEMENT AND BASE COURSE		
		DATE	SHEET	DRAWN BY
		12/22/06	A-2-12B	CDOT

FILE PATH = c:\pwworking\secom\00\k.lorenz\06204535\0160W26-Sht-CDOT-DETAIL-03.dgn

DI60W26-Sht-CDOT-DETAIL-03.dgn	DESIGNED - CDOT	REVISED -
USER NAME = kolorenz	DRAWN - CDOT	REVISED -
PLOT SCALE = 1:8000 / 1"	CHECKED - CDOT	REVISED -
PLOT DATE = 9/12/2013	DATE - 9/15/13	REVISED -

**STATE OF ILLINOIS  
DEPARTMENT OF TRANSPORTATION**

<b>CHICAGO DEPARTMENT OF TRANSPORTATION STANDARDS</b>			
SCALE: N.T.S.	SHEET 3 OF 6 SHEETS	STA.	TO STA.

F.A.I. RTE.	SECTION	COUNTY	TOTAL SHEETS	SHEET NO.
90/94/290	2013-008R	COOK	559	505
CONTRACT NO. 60W26			ILLINOIS FED. AID PROJECT	