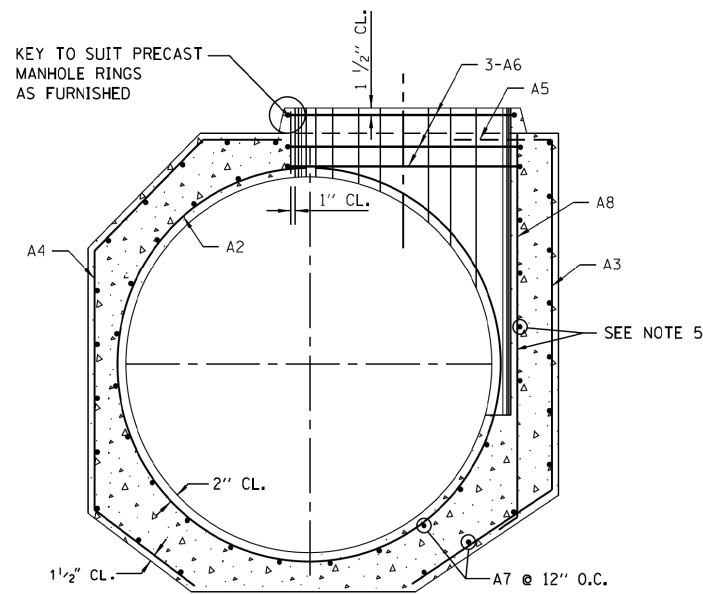


PLAN

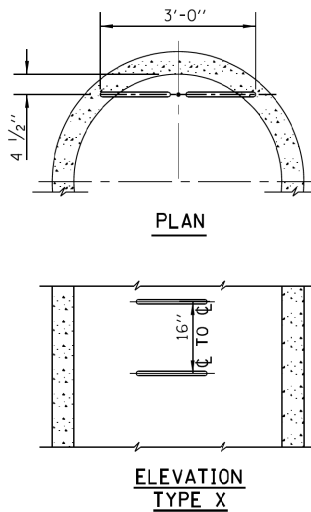


SECTION A-A

**MANHOLE BASE FOR SEWERS  
48" DIA. TO 120" DIA. INCLUSIVE**

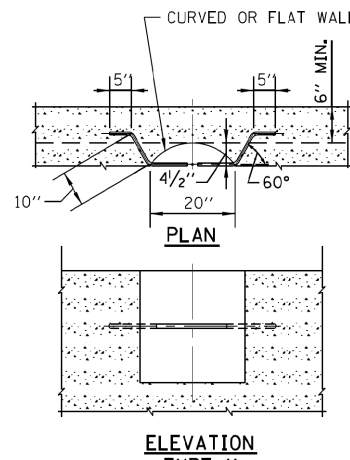
**NOTES:**

1. FOR ADDITIONAL DETAILS OF MANHOLES SEE SHEET NO.
2. FOR STRUCTURAL NOTES SEE SHEET NO.
3. FOR BAR LIST SEE SHEET NO.
4. FOR MANHOLE BASES REQUIRED FOR THIS CONTRACT SEE SHEET NO. 32
5. TWO LAYERS OF REINFORCEMENT FOR 66" DIA. MANHOLE AND OVER.



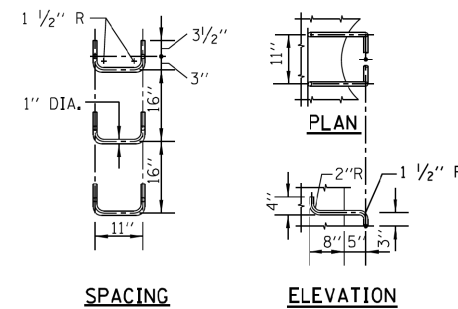
PLAN

ELEVATION  
TYPE X



PLAN

ELEVATION  
TYPE Y



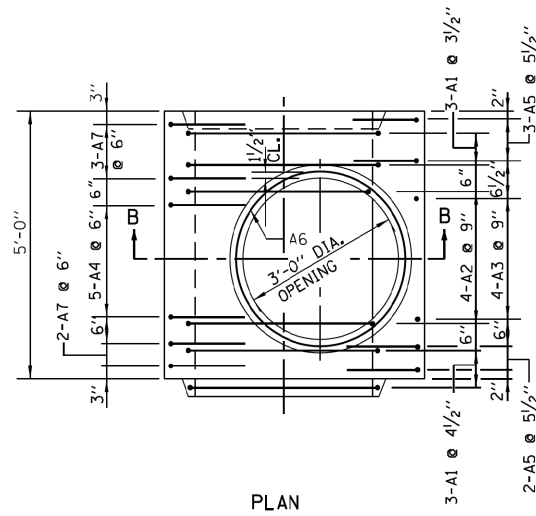
SPACING

ELEVATION

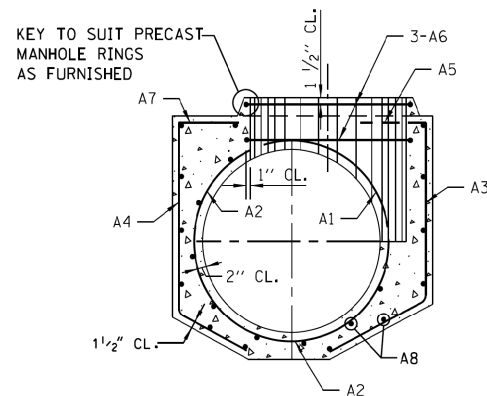
HANDHOLD-TYPE Z RUNG

**STANDARD LADDER RUNGS**

ALL LADDER RUNGS MUST BE ALUMINUM AS SPECIFIED IN THE SPECIFICATIONS, RUNGS MUST BE 1" DIAMETER OR OF A SHAPE HAVING AN EQUIVALENT CROSS-SECTIONAL AREA.

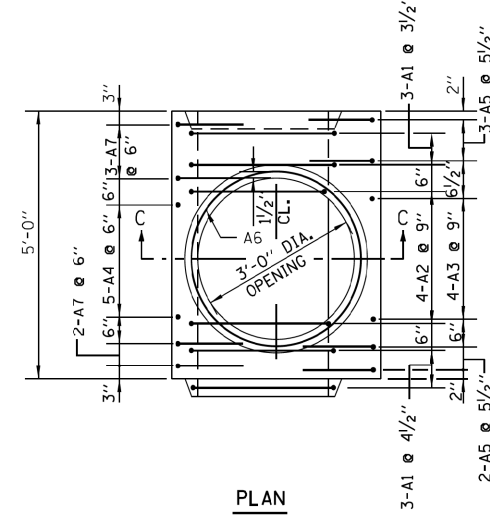


PLAN

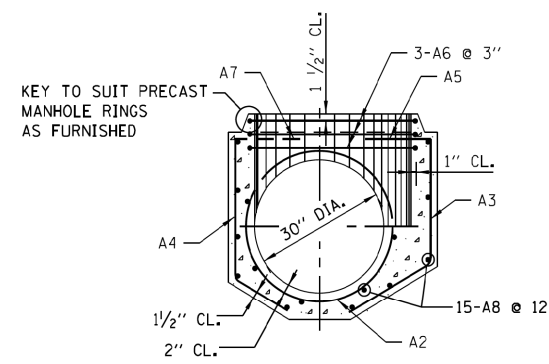


SECTION B-B

**MANHOLE BASE FOR SEWERS  
36" DIA. AND 42" DIA.**

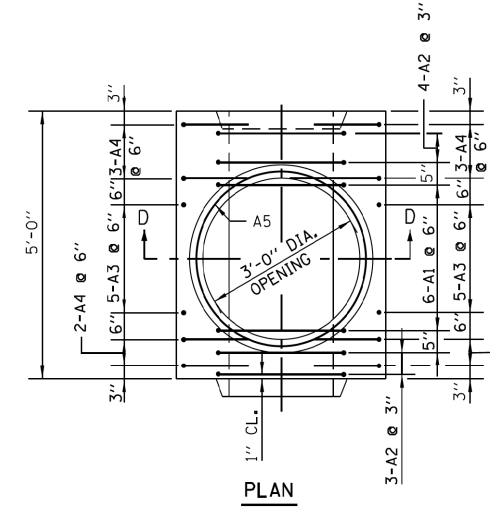


PLAN

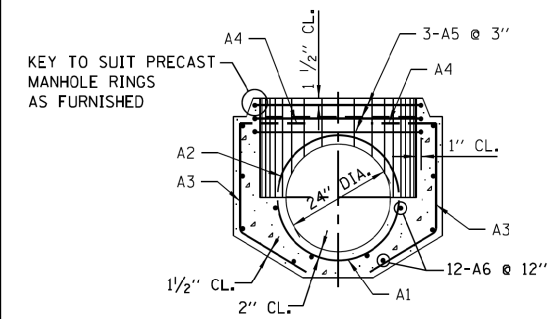


SECTION C-C

**MANHOLE BASE  
FOR 30" DIA. SEWERS**



PLAN



SECTION D-D

**MANHOLE BASE  
FOR 24" DIA. SEWERS**

STANDARD REVISIONS	
DATE	DESCRIPTION
12/07/09	APPROVED PLAN

PERCENT COMPLETE	DATE
30	
60	
75	
90	
100	
BULLETIN	

CITY OF CHICAGO	
DEPARTMENT OF WATER MANAGEMENT	
BUREAU OF ENGINEERING SERVICES	
DESIGNED BY	A.6
CHECKED BY	
REVIEWED BY	

REINFORCEMENT FOR TYPE "A"  
PRECAST MANHOLE BASES


FILE PATH = c:\pwworking\usercom\k.lorenz\work\2014\160204535\160204535-Sht-CDWM-DETAIL-04.dgn

FILE\$ 8/9/2013

D160204535-Sht-CDWM-DETAIL-04.dgn	DESIGNED - CDWM	REVISED -
USER NAME = kolorenz	DRAWN - CDWM	REVISED -
PLOT SCALE = 1.0000' / 1"	CHECKED - CDWM	REVISED -
PLOT DATE = 9/12/2013	DATE - 9/15/13	REVISED -

DESIGNED - CDWM	REVISED -
DRAWN - CDWM	REVISED -
CHECKED - CDWM	REVISED -
DATE - 9/15/13	REVISED -

**STATE OF ILLINOIS  
DEPARTMENT OF TRANSPORTATION**

**DRAINAGE DETAILS  
CHICAGO DEPARTMENT OF WATER MANAGEMENT**

SCALE: N.T.S. SHEET 4 OF 9 SHEETS STA. TO STA.

F.A.I. RTE.	SECTION	COUNTY	TOTAL SHEETS	SHEET NO.
90/94/290	2013-008R	COOK	559	512
ILLINOIS FED. AID PROJECT			CONTRACT NO. 60W26	