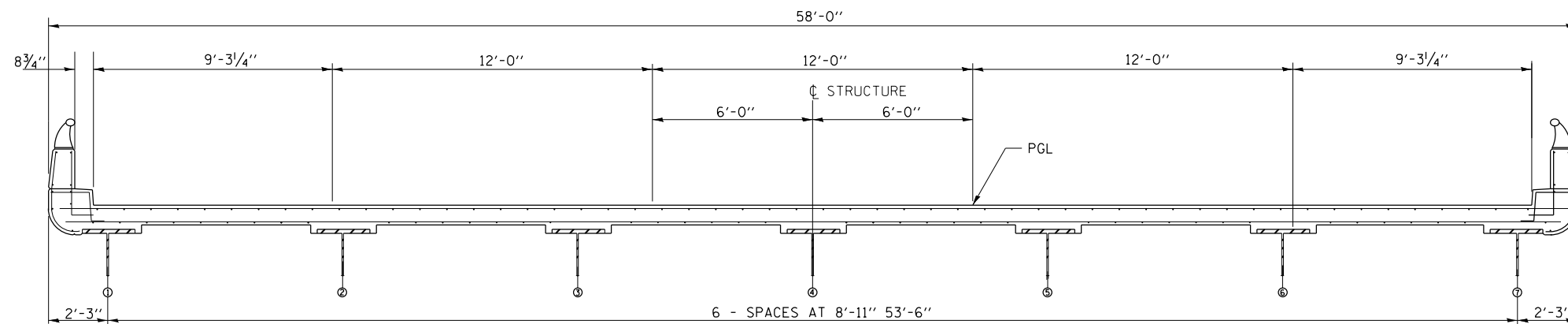
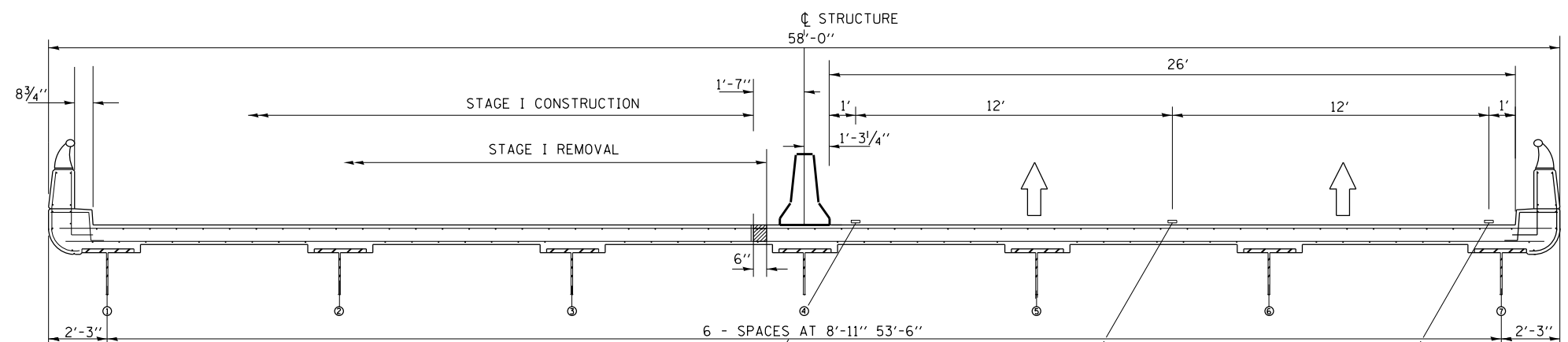


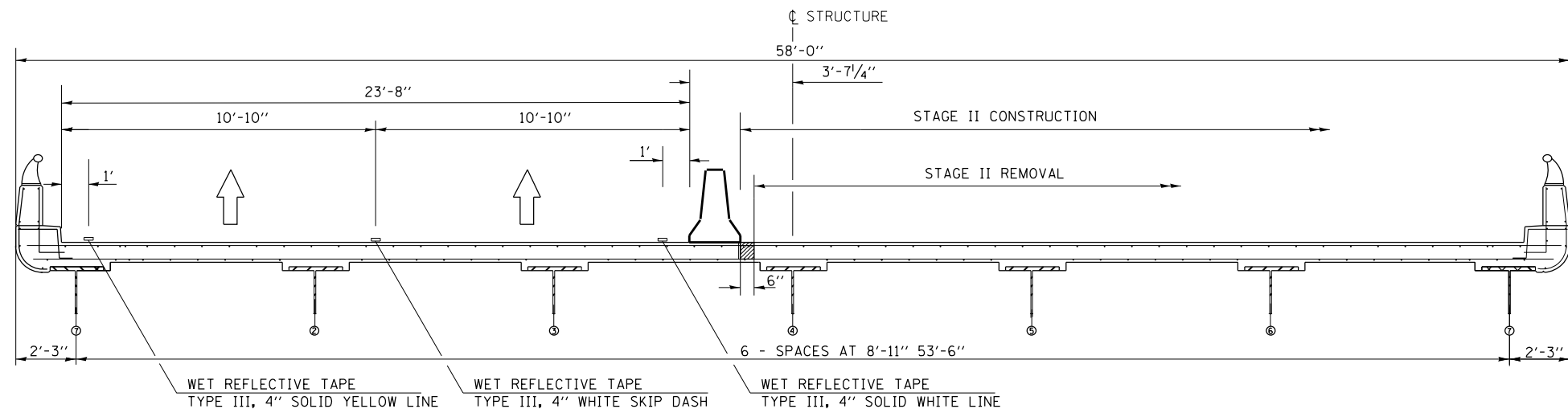
TYPICAL SECTION



EXISTING
 SN 016-0064 LOOKING SOUTH
 SN 016-0065 LOOKING NORTH



STAGE 1 PROPOSED
 SN 016-0064 LOOKING SOUTH
 SN 016-0065 LOOKING NORTH



STAGE 2 PROPOSED
 SN 016-0064 LOOKING SOUTH
 SN 016-0065 LOOKING NORTH

FILE NAME =	USER NAME = hardnettbr	DESIGNED -	REVISED -
ei:\pw\work\p\id\hardnettbr\d0345314\034313-sh1-plan.dgn		DRAWN -	REVISED -
Default	PLOT SCALE = 100.0000' / in.	CHECKED -	REVISED -
	PLOT DATE = 8/30/2013	DATE -	REVISED -

STATE OF ILLINOIS
 DEPARTMENT OF TRANSPORTATION

I-57 OVER CAL-SAG CHANNEL
 CROSS SECTION AND DETAILS
 S.N. 016-0064; -0065

SCALE: STA. TO STA.

F.A.I. RE.	SECTION	COUNTY	TOTAL SHEETS	SHEET NO.
57	2013-025-I	COOK	23	16
				CONTRACT NO. 60W60
ILLINOIS FED. AID PROJECT				