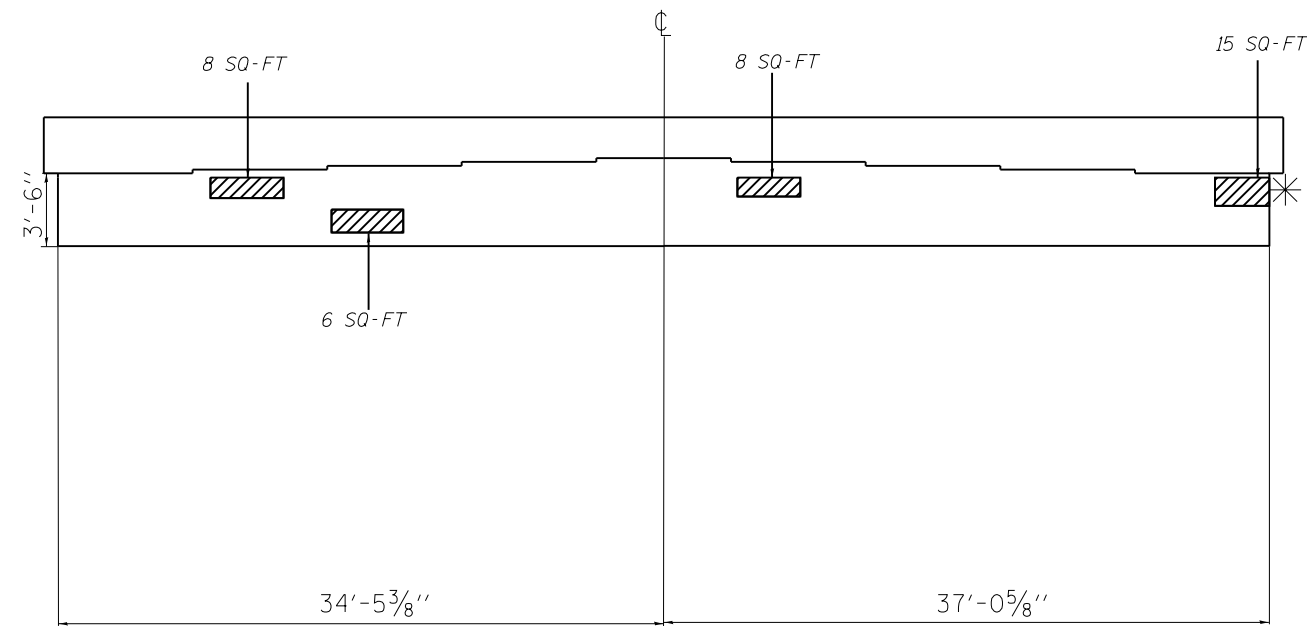


NORTH ABUTMENT

\*AROUND PIER NOSE



SOUTH ABUTMENT

### NORTH ABUTMENT BILL OF MATERIALS

ITEM	UNIT	QUANTITY
STRUCTURAL REPAIR OF CONCRETE ≤ 5"	SQ. FT	59

### SOUTH ABUTMENT BILL OF MATERIALS

ITEM	UNIT	QUANTITY
STRUCTURAL REPAIR OF CONCRETE ≤ 5"	SQ. FT	37

 STRUCTURAL REPAIR OF CONCRETE ≤ 5"