

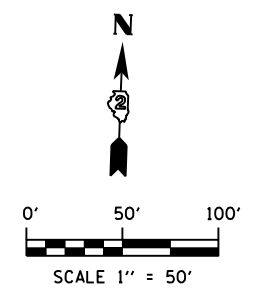
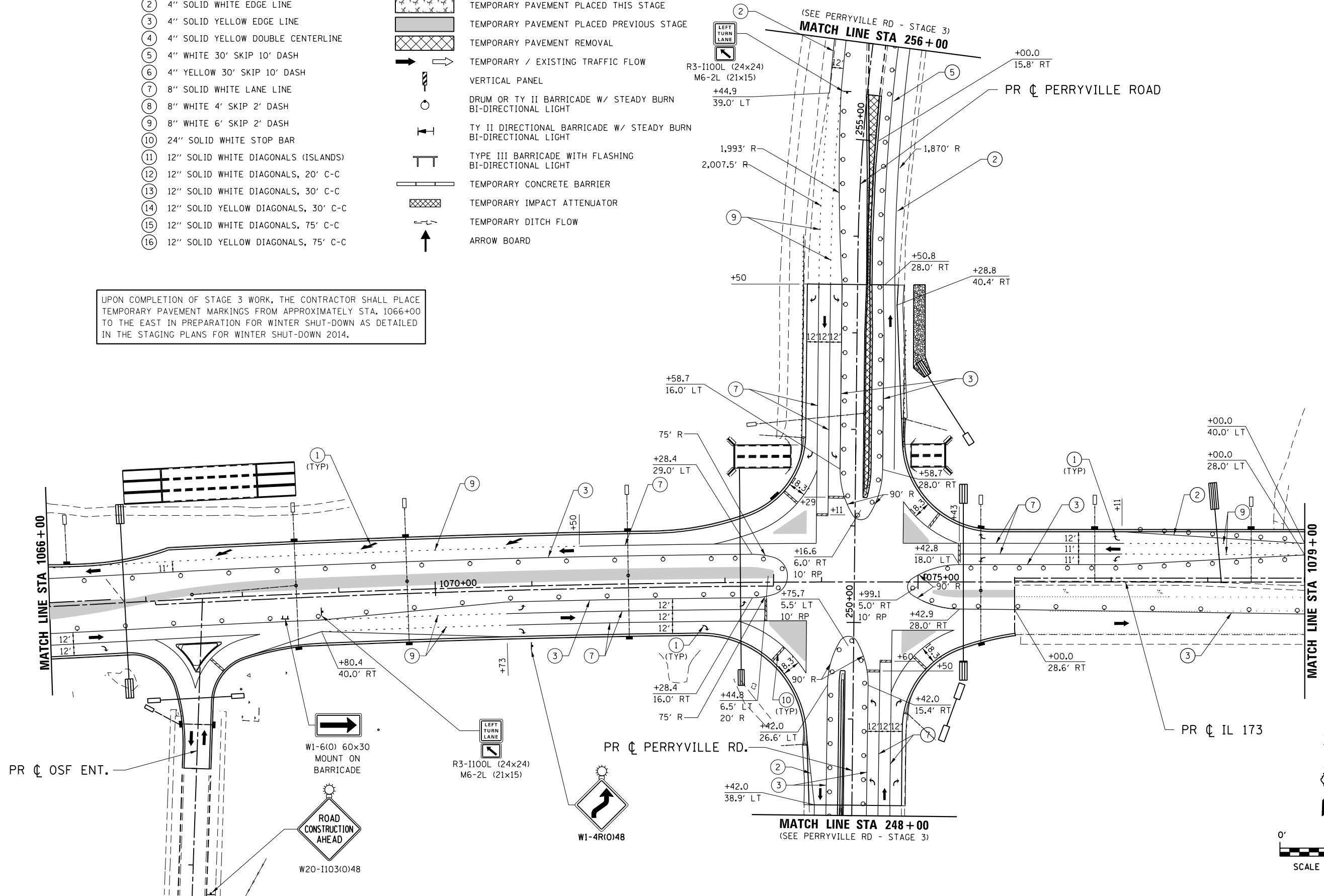
**TEMPORARY STRIPING LEGEND**

- ① PAVEMENT MARKING SYMBOL
- ② 4" SOLID WHITE EDGE LINE
- ③ 4" SOLID YELLOW EDGE LINE
- ④ 4" SOLID YELLOW DOUBLE CENTERLINE
- ⑤ 4" WHITE 30' SKIP 10' DASH
- ⑥ 4" YELLOW 30' SKIP 10' DASH
- ⑦ 8" SOLID WHITE LANE LINE
- ⑧ 8" WHITE 4' SKIP 2' DASH
- ⑨ 8" WHITE 6' SKIP 2' DASH
- ⑩ 24" SOLID WHITE STOP BAR
- ⑪ 12" SOLID WHITE DIAGONALS (ISLANDS)
- ⑫ 12" SOLID WHITE DIAGONALS, 20' C-C
- ⑬ 12" SOLID WHITE DIAGONALS, 30' C-C
- ⑭ 12" SOLID YELLOW DIAGONALS, 30' C-C
- ⑮ 12" SOLID WHITE DIAGONALS, 75' C-C
- ⑯ 12" SOLID YELLOW DIAGONALS, 75' C-C

**SYMBOL LEGEND**

- WORK AREA (STAGE 3 & STAGE 6)
- TEMPORARY PAVEMENT PLACED THIS STAGE
- TEMPORARY PAVEMENT PLACED PREVIOUS STAGE
- TEMPORARY PAVEMENT REMOVAL
- TEMPORARY / EXISTING TRAFFIC FLOW
- VERTICAL PANEL
- DRUM OR TY II BARRICADE W/ STEADY BURN BI-DIRECTIONAL LIGHT
- TY II DIRECTIONAL BARRICADE W/ STEADY BURN BI-DIRECTIONAL LIGHT
- TYPE III BARRICADE WITH FLASHING BI-DIRECTIONAL LIGHT
- TEMPORARY CONCRETE BARRIER
- TEMPORARY IMPACT ATTENUATOR
- TEMPORARY DITCH FLOW
- ARROW BOARD

UPON COMPLETION OF STAGE 3 WORK, THE CONTRACTOR SHALL PLACE TEMPORARY PAVEMENT MARKINGS FROM APPROXIMATELY STA. 1066+00 TO THE EAST IN PREPARATION FOR WINTER SHUT-DOWN AS DETAILED IN THE STAGING PLANS FOR WINTER SHUT-DOWN 2014.



FILE NAME = S:\Projects\2012\JOBS\12-95-S10206 Upchurch Loves Park 02 Ph. II\Cad\CADD Sheets\208793510.S3-IL173-07.dgn  
 MODEL = \$MODEL\$  
 PLOT DRIVER = \$PLTDRVS\$



|                              |                       |           |
|------------------------------|-----------------------|-----------|
| USER NAME = rgoertz          | DESIGNED - RG         | REVISED - |
| PLOT SCALE = 100.0000' / in. | DRAWN - TRF           | REVISED - |
| PLOT DATE = 7/26/2013        | CHECKED - CMS         | REVISED - |
|                              | DATE - APRIL 30, 2013 | REVISED - |

STATE OF ILLINOIS  
 DEPARTMENT OF TRANSPORTATION

STAGING PLAN - STAGE 3  
 IL 173

SCALE: 1" = 50' SHEET NO. OF SHEETS STA. 1066+00 TO STA. 1079+00

|   |         |           |              |           |
|---|---------|-----------|--------------|-----------|
| F.A.P. RTE.                                     | SECTION | COUNTY    | TOTAL SHEETS | SHEET NO. |
| 303   | 129R    | WINNEBAGO | 968          | 318       |
| CONTRACT NO. 64988                              |         |           |              |           |
| FED. ROAD DIST. NO. 2 ILLINOIS FED. AID PROJECT |         |           |              |           |