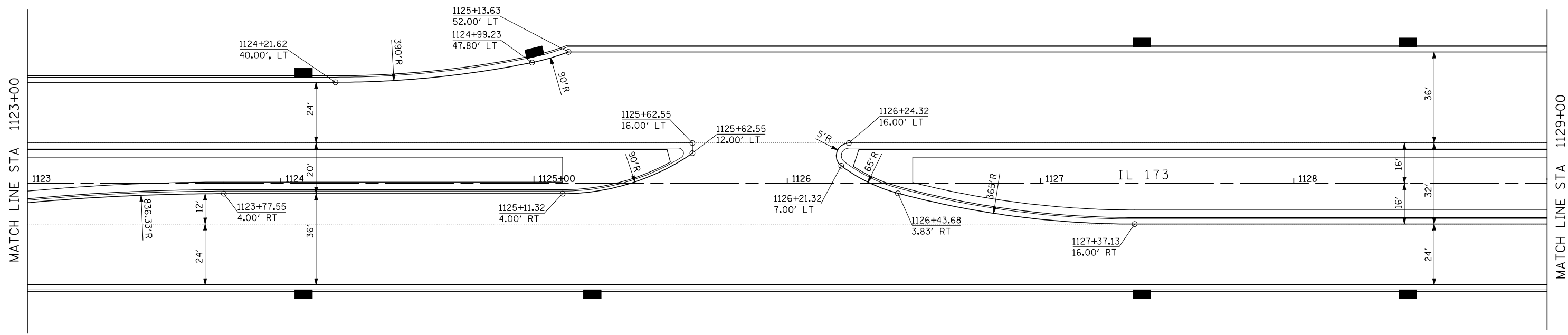


**CORNER RADIUS DATA**

PC = 1124+21.62, 40.00' LT  
 C = 1124+21.62, 430.00' LT  
 PCC = 1124+99.23, 47.80' LT  
 C = 1124+81.32, 136.00' LT  
 PT = 1125+13.63, 52.00' LT  
 R1 = 390'  
 R2 = 90'



NOTE:  
 1. FOR MORE PC ISLAND AND MEDIANS INFORMATION SEE STANDARD 606301-04



FILE NAME = ...\\cadd sheets\2007931VPPLN21.dgn	USER NAME = Elgin 110	DESIGNED - MJS	REVISED -
		DRAWN - LMP	REVISED -
		CHECKED - RMH	REVISED -
		DATE - APRIL 30, 2013	REVISED -

**STATE OF ILLINOIS  
 DEPARTMENT OF TRANSPORTATION**

**INTERSECTION AND VARIABLE WIDTH PAVEMENT PLANS  
 IL 173 FROM ALPINE ROAD TO I-90**

SCALE: 1"=20'    SHEET NO.    OF    SHEETS    STA. 1123+00    TO    STA. 1129+00

F.A.P. RTE. 303	SECTION 129R	COUNTY WINNEBAGO	TOTAL SHEETS 968	SHEET NO. 550
ILLINOIS FED. AID PROJECT			CONTRACT NO. 64988	

**THE UPCHURCH GROUP, INC.**