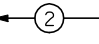
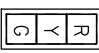



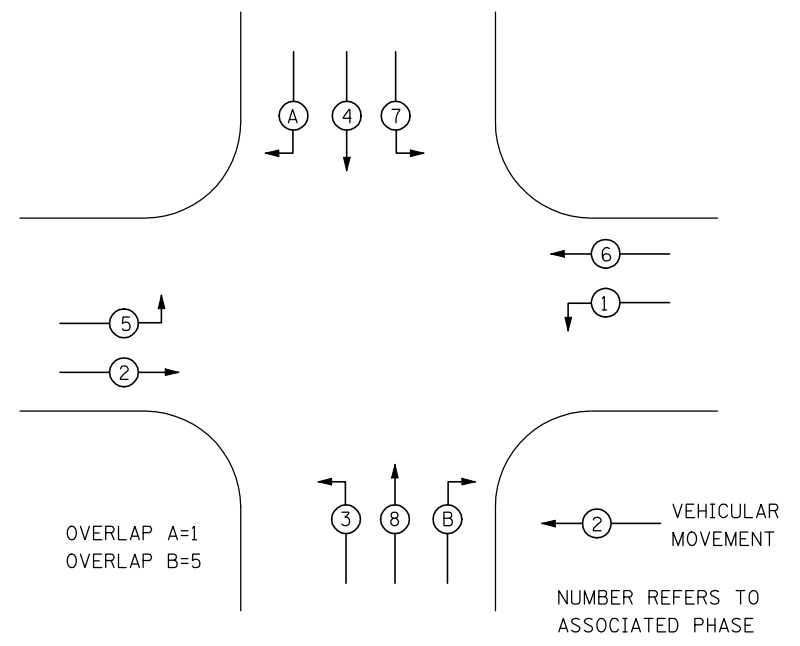


LEGEND

-  INDICATES NUMBER OF NEW CONTROLLERS. ALL CABLE IS NO. 14 EXCEPT AS INDICATED
-  NEW SIGNAL HEAD WITH OR WITHOUT BACKPLATE.
-  LUMINAIRES, 400 WATT
-  EMERGENCY VEHICLE PREEMPTION
-  VIDEO DETECTION SYSTEM



PROPOSED PHASE DESIGNATION DIAGRAM
REFER TO STANDARD 857001

DETECTION ZONES		
ZONE	PHASE	DIRECTION
A	B	NB RIGHT TURN
B	8	NB PRESENCE
C	3	NB LEFT TURN
D	6	WB PRESENCE
E	1	WB LEFT TURN
F	A	SB RIGHT TURN
G	4	SB PRESENCE
H	7	SB LEFT TURN
I	2	EB PRESENCE
J	5	EB LEFT TURN

