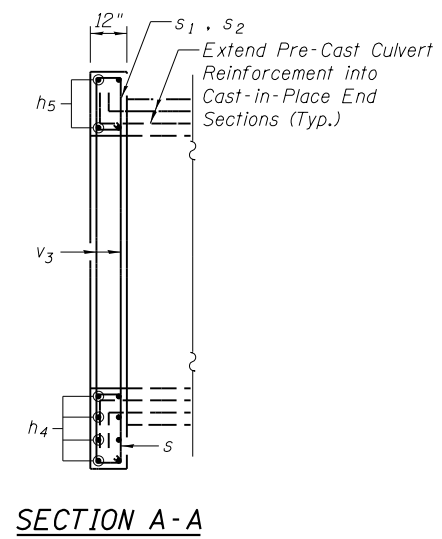
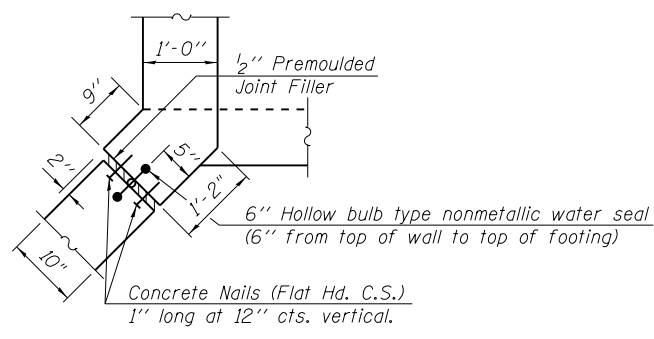


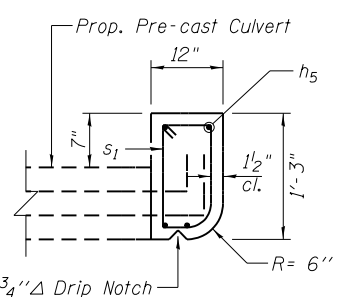
**FRONT VIEW ELEV
WINGWALL REINFORCEMENT**



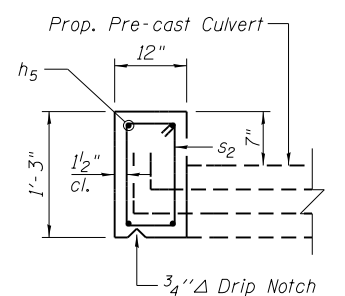
SECTION A-A



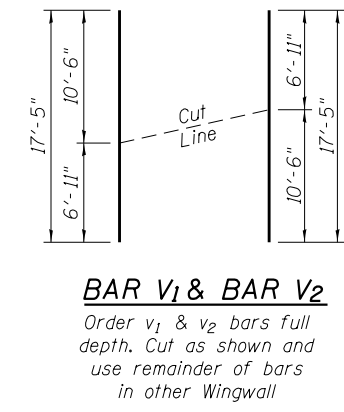
CORNER DETAIL



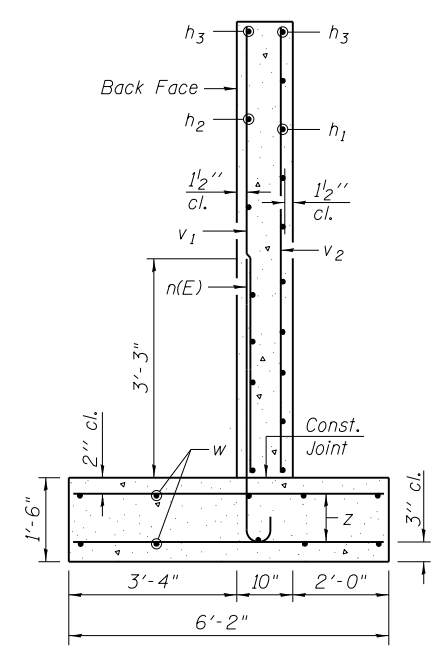
UPSTREAM



**DOWNSTREAM
HEADWALL DETAILS**



BAR V1 & BAR V2
Order v1 & v2 bars full depth. Cut as shown and use remainder of bars in other Wingwall



**SECTION THRU
WINGWALL**

BILL OF MATERIAL
(For two End Sections)

Bar	No.	Size	Length	Shape
h1	44	#4	10'-0"	—
h2	20	#4	10'-0"	—
h3	8	#4	10'-5"	—
h4	16	#6	16'-7"	—
h5	8	#6	16'-7"	—
n(E)	52	#6	5'-1"	C
s	36	#4	9'-5"	□
s1	18	#4	4'-1"	□
s2	18	#4	4'-3"	□
v1	26	#4	17'-5"	—
v2	8	#4	17'-5"	—
v3	36	#5	12'-0"	—
w	56	#4	9'-10"	—
z	88	#4	5'-11"	—
Item		Units	Quantity	
Concrete Box Culverts		Cu. Yds.	34.2	
Reinforcement Bars		Lbs.	2970	
Reinforcement Bars (Epoxy Coated)		Lbs.	400	

FILE NAME = 10100000-66N13-002-E50.dgn
MODEL = Default
PLOT DRIVER = V8...IDOT...PDF...11x17.pltcf9



USER NAME =	DESIGNED - RJP	REVISED
PLOT SCALE =	CHECKED - DRB	REVISED
PLOT DATE =	DRAWN - JTF	REVISED
	CHECKED - DRB	REVISED

**STATE OF ILLINOIS
DEPARTMENT OF TRANSPORTATION**

**CAST-IN-PLACE END SECTION DETAILS
MITCHELL ROAD OVER UNNAMED TRIBUTARY**

SHEET NO. 2 OF 3 SHEETS

F.A.P. RTE.	SECTION	COUNTY	TOTAL SHEETS	SHEET NO.
303	129R	WINNEBAGO	968	686
CONTRACT NO. 64988			ILLINOIS FED. AID PROJECT	