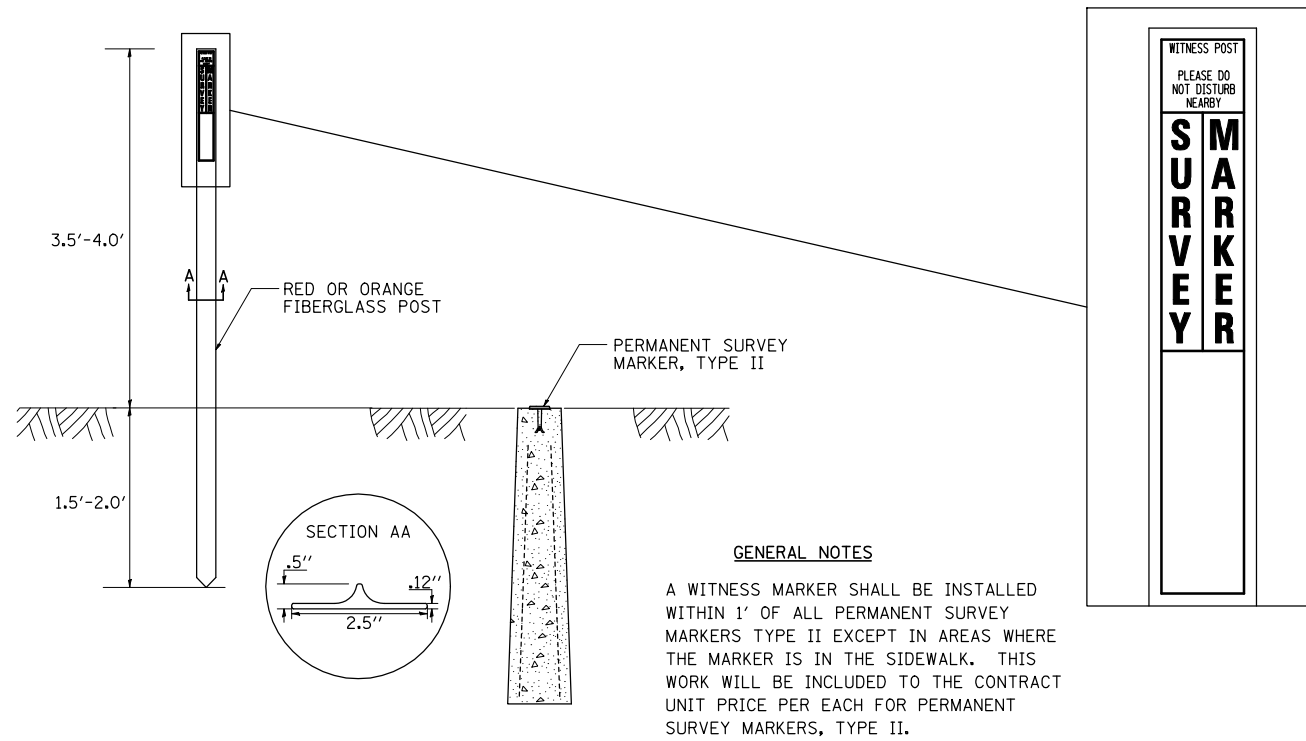
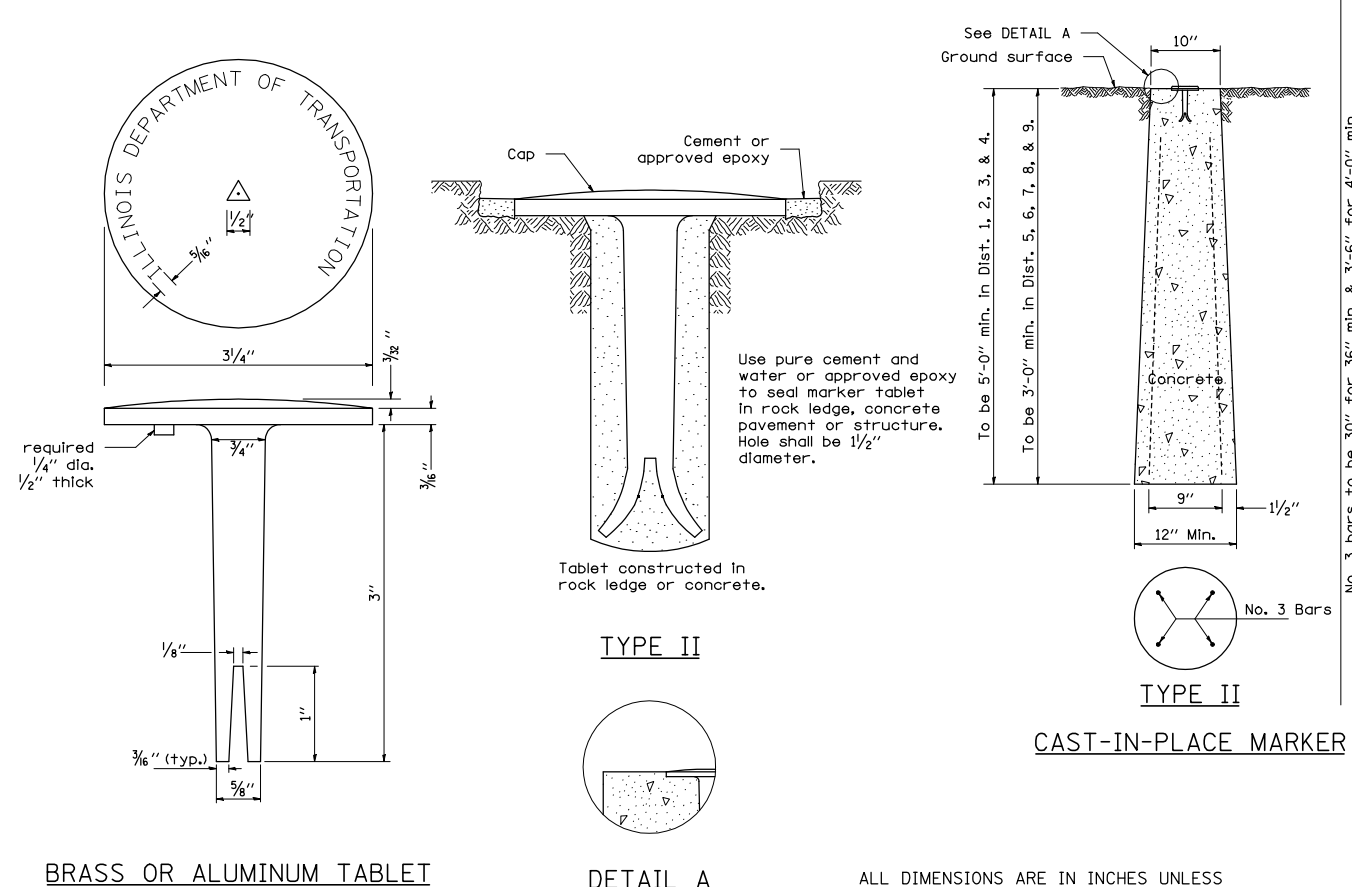


WITNESS MARKER FOR PERMANENT SURVEY MARKERS, TYPE II



PERMANENT SURVEY MARKERS, TYPE II



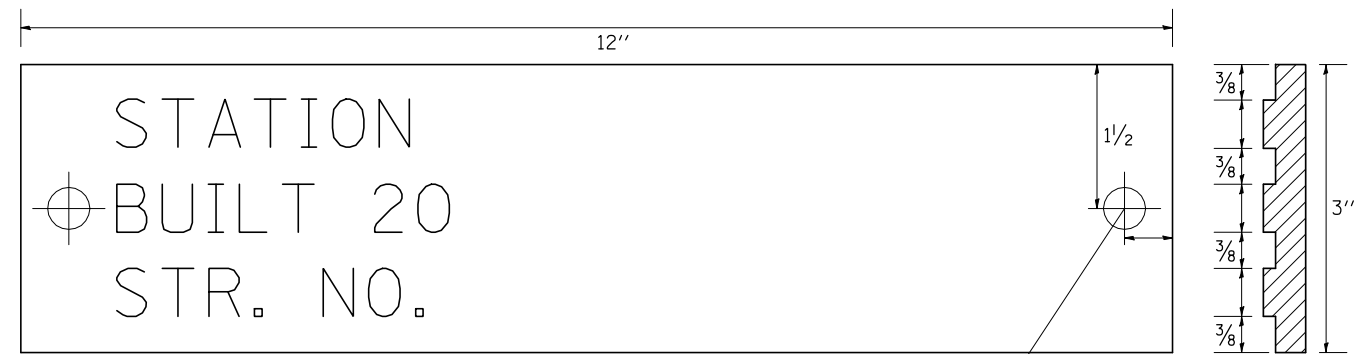
ALL DIMENSIONS ARE IN INCHES UNLESS OTHERWISE NOTED.

REVISED - 10-14-11

WITNESS MARKER & PERMANENT SURVEY MARKERS, TYPE II 66.2

NAME PLATE FOR CULVERTS

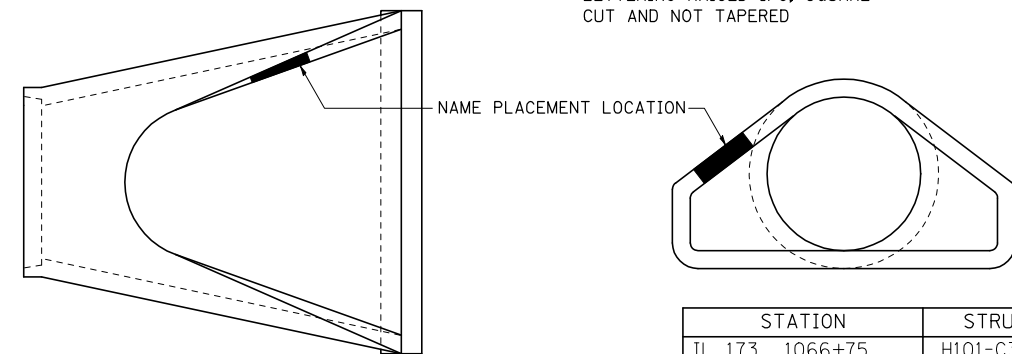
FOR 24"-42" PIPE CULVERTS



FOR 48"-84" PIPE CULVERTS



NOTE
LETTERING RAISED 1/8. SQUARE CUT AND NOT TAPERED



STATION	STRUCTURE NO.
IL 173 1066+75	H101-C311-050-032-01A
IL 173 1073+16	H101-C311-038-024-01A
IL 173 1075+47	H101-C311-050-032-02A
IL 173 1078+14	101-1325
IL 173 1095+44	H101-C311-050-032-03A
IL 173 1109+01	101-1327
IL 173 1119+05	101-1328
IL 173 1125+39	H101-C311-050-032-04
IL 173 1130+86	H101-C311-050-032-05A

REVISED - 5-27-09

NAME PLATE FOR CULVERTS 88.2

REVISED -	REGION 2 / DISTRICT 2 STANDARD				F.A.P. RTE.	SECTION	COUNTY	TOTAL SHEETS	SHEET NO.
REVISED -					303	129R	WINNEBAGO	968	705
REVISED -					CONTRACT NO. 46988				
REVISED -	SCALE: 20,000' / IN. SHEET NO. OF SHEETS STA. 19 TO STA. 19				FED. ROAD DIST. NO. ILLINOIS FED. AID PROJECT				

PLOT DATE = 5/2/2013