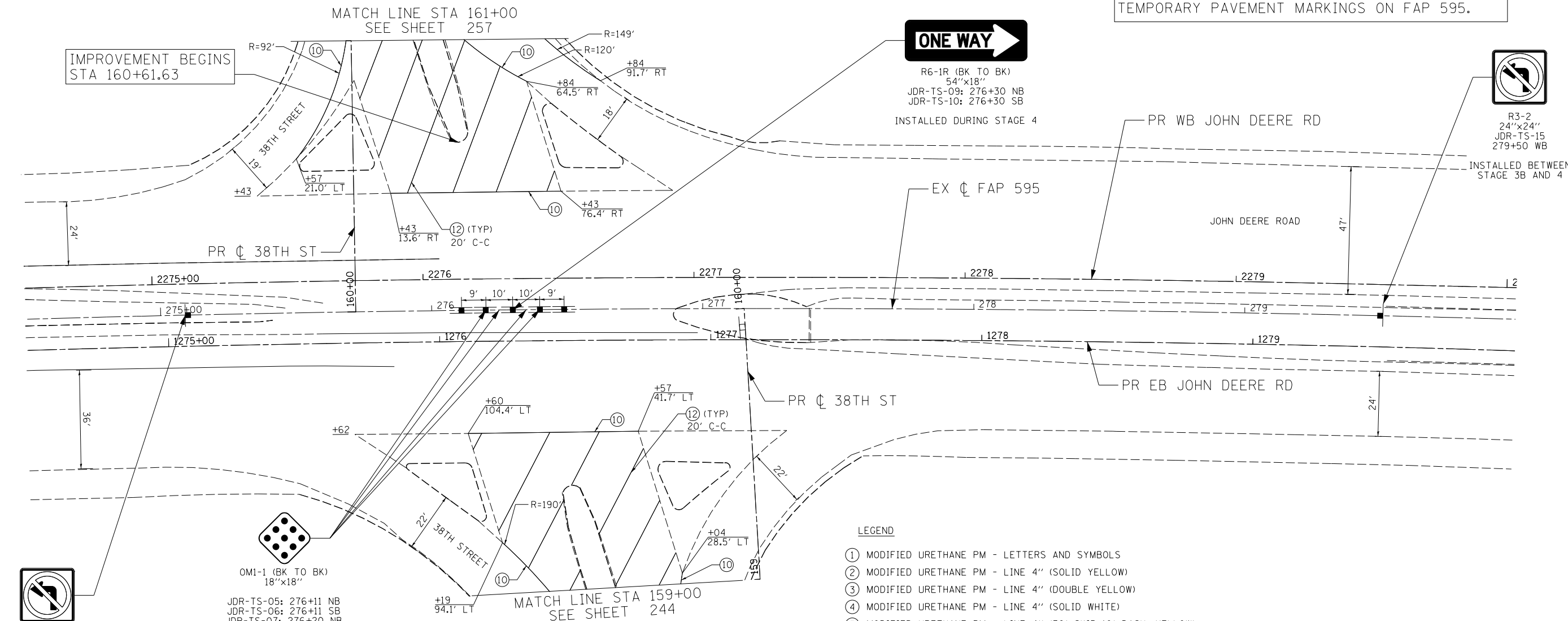


SIGN NAMING CONVENTION

STREET	XX-XX-XX	SIGN NUMBER
35 - 35TH STREET		
38 - 38TH STREET		
40 - 40TH AVENUE		
41 - 41ST DRIVE CONNECTOR		
41AD - 41ST AVENUE DRIVE		
41ST - 41ST STREET		
CTR - COALTOWN ROAD		
JDR - JOHN DEERE ROAD		
		SUPPORT TYPE
		TS - TELESCOPING STEEL
		SP - SPECIAL
		WP - WOOD POST



SEE STAGE 4 MAINTENANCE OF TRAFFIC PLANS FOR TEMPORARY PAVEMENT MARKINGS ON FAP 595.



ONE WAY →
 R6-1R (BK TO BK)
 54"x18"
 JDR-TS-09: 276+30 NB
 JDR-TS-10: 276+30 SB
 INSTALLED DURING STAGE 4

R3-2
 24"x24"
 JDR-TS-15
 279+50 WB
 INSTALLED BETWEEN STAGE 3B AND 4

IMPROVEMENT BEGINS
 STA 160+61.63

R3-2
 24"x24"
 JDR-TS-04
 275+10 EB
 INSTALLED BETWEEN STAGE 3B AND 4

OMI-1 (BK TO BK)
 18"x18"
 JDR-TS-05: 276+11 NB
 JDR-TS-06: 276+11 SB
 JDR-TS-07: 276+20 NB
 JDR-TS-08: 276+20 SB
 JDR-TS-11: 276+40 NB
 JDR-TS-12: 276+40 SB
 JDR-TS-13: 276+49 NB
 JDR-TS-14: 276+49 SB
 INSTALLED DURING STAGE 4

LEGEND

- ① MODIFIED URETHANE PM - LETTERS AND SYMBOLS
- ② MODIFIED URETHANE PM - LINE 4" (SOLID YELLOW)
- ③ MODIFIED URETHANE PM - LINE 4" (DOUBLE YELLOW)
- ④ MODIFIED URETHANE PM - LINE 4" (SOLID WHITE)
- ⑤ MODIFIED URETHANE PM - LINE 4" (30' SKIP-10' DASH, YELLOW)
- ⑥ MODIFIED URETHANE PM - LINE 4" (30' SKIP-10' DASH, WHITE)
- ⑦ MODIFIED URETHANE PM - LINE 6" (SOLID WHITE)
- ⑧ MODIFIED URETHANE PM - LINE 8" (4' SKIP-2' DASH, WHITE)
- ⑨ MODIFIED URETHANE PM - LINE 8" (SOLID YELLOW)
- ⑩ MODIFIED URETHANE PM - LINE 8" (SOLID WHITE)
- ⑪ MODIFIED URETHANE PM - LINE 12" (SOLID YELLOW)
- ⑫ MODIFIED URETHANE PM - LINE 12" (SOLID WHITE)
- ⑬ MODIFIED URETHANE PM - LINE 24" (SOLID WHITE)
- ⑭ RAISED REF PM (ONE-WAY CRYSTAL)
- ⑮ RAISED REF PM (TWO-WAY AMBER)
- ⑯ MODIFIED URETHANE PM - LINE 4" (10' SKIP-3' DASH, YELLOW)

NOTE:

1. PAVEMENT MARKINGS ARE TO BE PLACED ACCORDING TO DISTRICT STANDARD 41.1 AND HIGHWAY STANDARDS 780001-03 AND 781001-03.



USER NAME = Plotted by Sharaz	DESIGNED - RWK	REVISED -
	DRAWN - RWK	REVISED -
PLOT SCALE = 40.0000' / in.	CHECKED - ST	REVISED -
PLOT DATE = 3/11/2013	DATE - 3/11/2013	REVISED -

STATE OF ILLINOIS
 DEPARTMENT OF TRANSPORTATION

38TH STREET
 PAVEMENT MARKING AND SIGNING PLANS

SCALE: 1"=20' SHEET NO. 18 OF 19 SHEETS STA. 159+00 TO STA. 161+00

F.A.P. RTE.	SECTION	COUNTY	TOTAL SHEETS	SHEET NO.
595	(142-11R-1, 142-11B)	ROCK ISLAND	507	260
CONTRACT NO. 64B84				
FED. ROAD DIST. NO. 2 ILLINOIS FED. AID PROJECT				