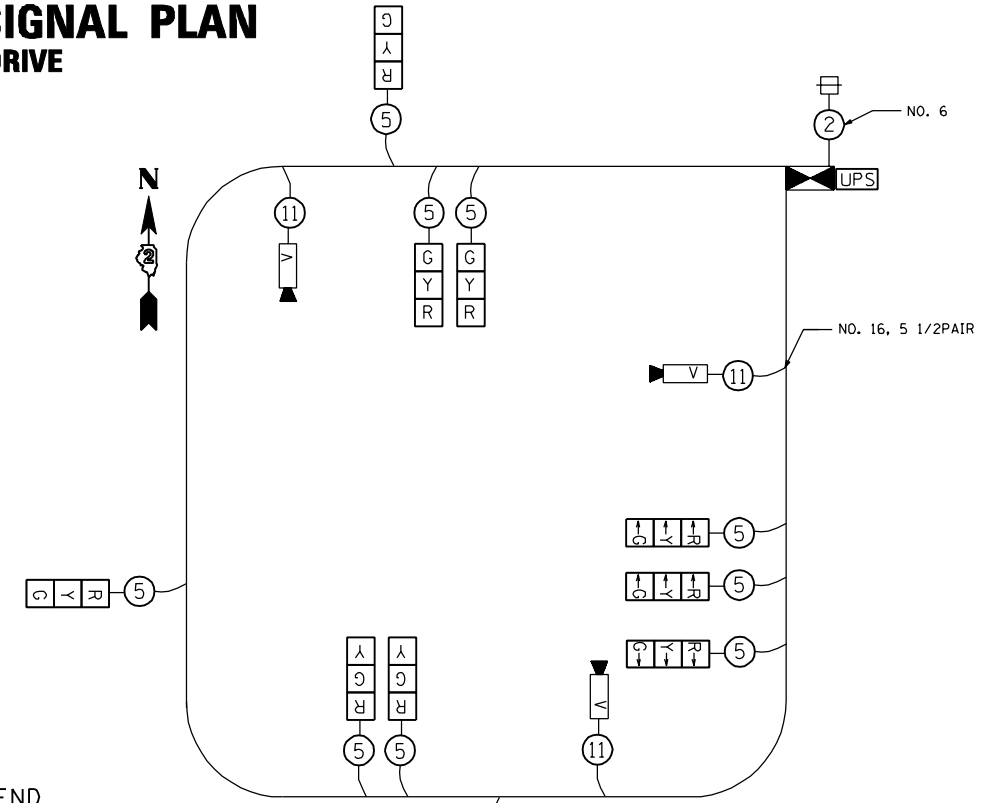


SUGGESTED TEMPORARY SIGNAL PLAN

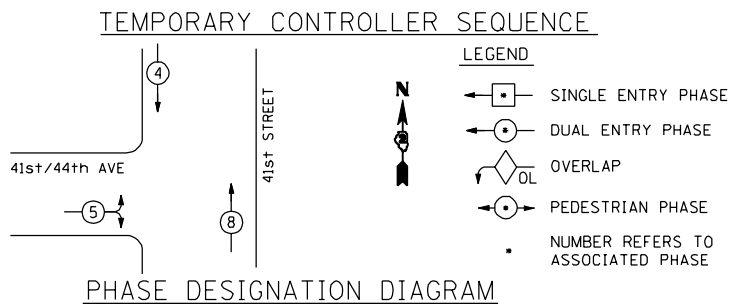
41st STREET AT 41st AVENUE DRIVE

- TEMPORARY TRAFFIC SIGNAL LEGEND**
- ◀ TEMPORARY TRAFFIC SIGNAL HEAD SPAN WIRE MOUNTED ORIGINAL LOCATION
 - ⊗ TEMPORARY WOOD POLE (CLASS 5 OR BETTER) 45 FOOT (13.7m) MINIMUM
 - ▣ TEMPORARY CONTROLLER CABINET
 - TEMPORARY SPAN WIRE, TETHER WIRE, AND CABLE
 - ⊞ TEMPORARY SERVICE INSTALLATION
 - ▶ VIDEO VEHICLE DETECTOR CAMERA
 - ▨ TEMPORARY VIDEO DETECTION ZONE (50' TYPICAL)
 - Ⓜ UNINTERRUPTIBLE POWER SUPPLY

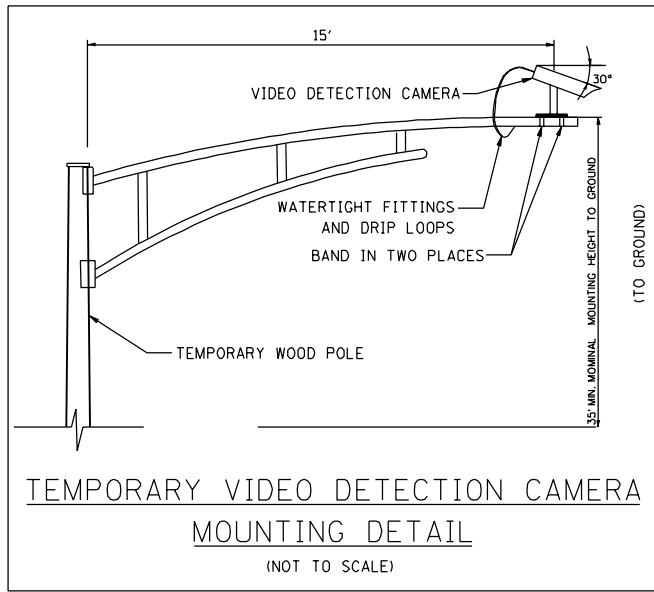
- TEMPORARY CABLE DIAGRAM LEGEND**
- Ⓜ TEMPORARY TRAFFIC SIGNAL SECTION OR PEDESTRIAN SIGNAL SECTION 12" (300mm)
 - ▣ TEMPORARY CONTROLLER CABINET
 - ② INDICATES NUMBER OF CONDUCTORS IN CABLE. ALL CONDUCTORS TO BE NUMBER 14 AWG WIRE UNLESS OTHERWISE NOTED.
 - ⊞ TEMPORARY SERVICE INSTALLATION
 - ▶ VIDEO VEHICLE DETECTOR CAMERA
 - Ⓜ TELEPHONE CONNECTION
 - ⊞ TEMPORARY RADIO INTERCONNECT
 - Ⓜ UNINTERRUPTIBLE POWER SUPPLY



TEMPORARY CABLE PLAN



- NOTES**
- ONLY AN APPROVED IDOT ELECTRICAL SUBCONTRACTOR WILL BE PERMITTED TO INSTALL AND ADJUST VIDEO VEHICLE DETECTION SYSTEM AS REQUIRED BY STAGE/PHASE CHANGES.
 - STAGING OF TEMPORARY SIGNAL INSTALLATION SHALL BE APPROVED BY THE RESIDENT ENGINEER.



TEMPORARY VIDEO DETECTION CAMERA MOUNTING DETAIL (NOT TO SCALE)



2600 Warrenville Road, Suite 203, Downers Grove, IL 60515
 630.705.0110 voice, 630.839.3566 fax
 www.mps-il.com
MILLENNIA PROFESSIONAL SERVICES

DESIGNED - TVN TVN	REVISED -
DRAWN - CJD	REVISED -
CHECKED - RPD	REVISED -
DATE - 3/11/2013	REVISED -

STATE OF ILLINOIS
DEPARTMENT OF TRANSPORTATION

TEMPORARY SIGNAL PLAN			
41st STREET AT 41st AVENUE DRIVE			
SCALE: 1=20	SHEET NO. OF SHEETS	STA. TO STA.	

F.A.P. RTE.	SECTION	COUNTY	TOTAL SHEETS	SHEET NO.
595	(142-1)R & 142-1HB	ROCK ISLAND	507	291
CONTRACT NO. 64884				

TTS-51

P:\2011\ME11008_PTB155-26_IL5_JDR_C1orbo\CA00\Shts\0264884-sht-TempT51_41ST_44ave.dgn