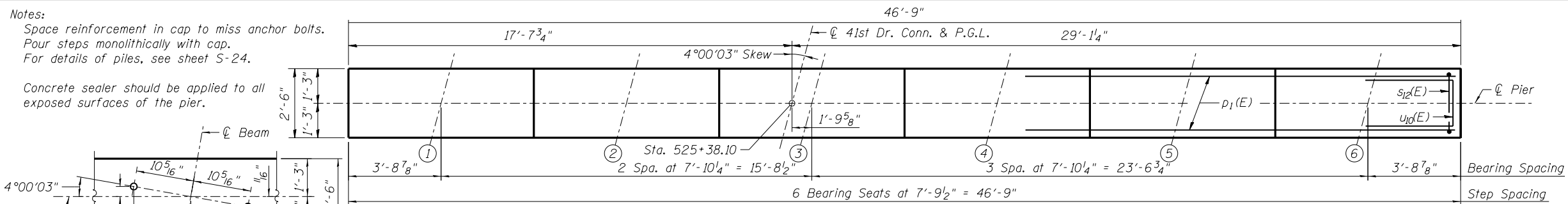
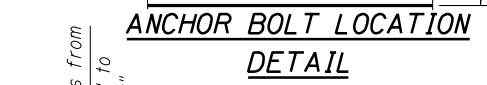


Notes:
 Space reinforcement in cap to miss anchor bolts.
 Pour steps monolithically with cap.
 For details of piles, see sheet S-24.

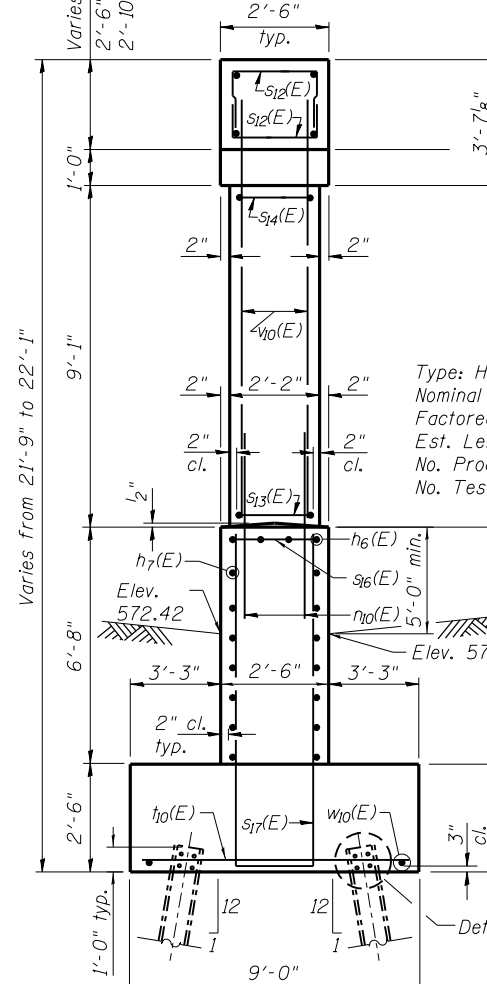
Concrete sealer should be applied to all exposed surfaces of the pier.



TOP PLAN

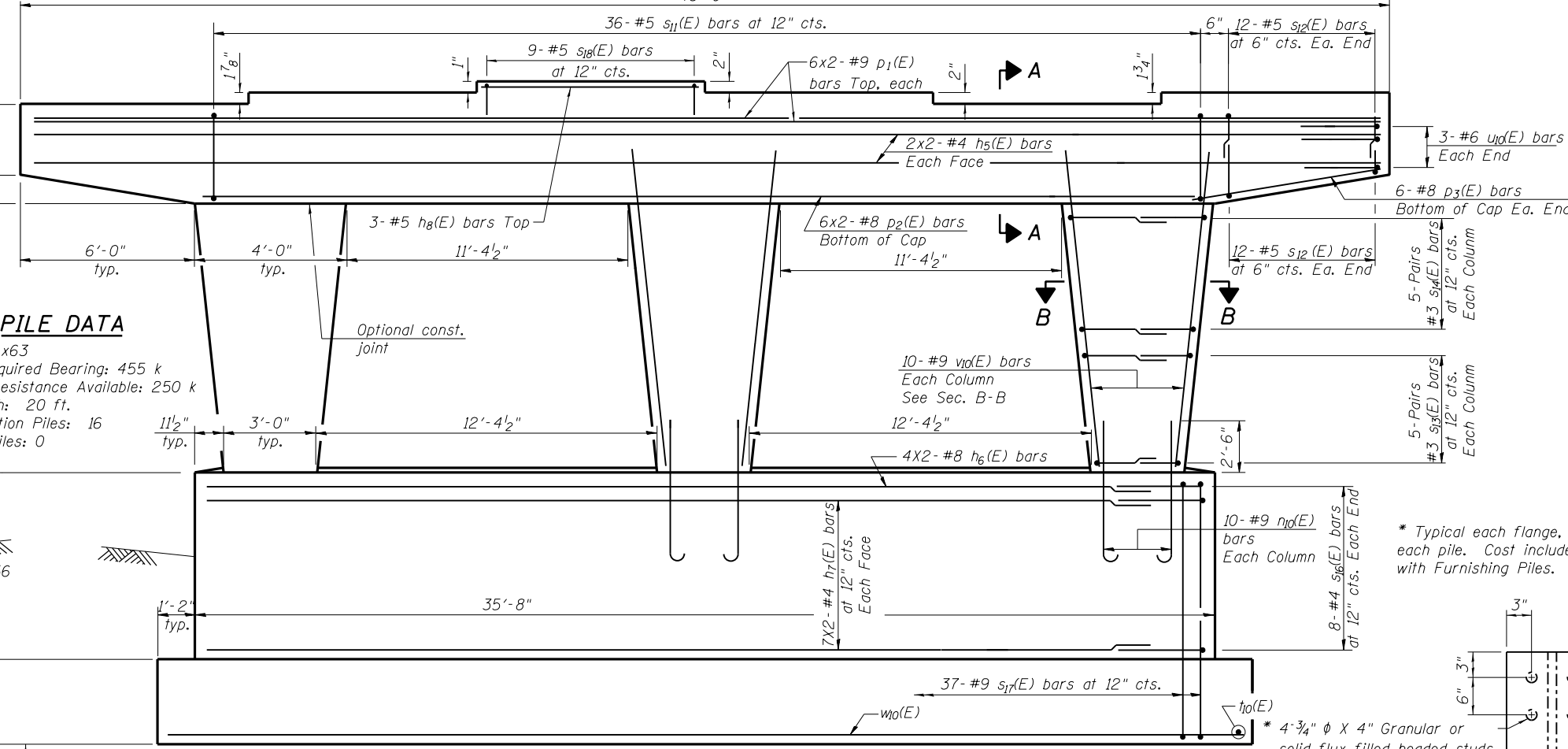


ANCHOR BOLT LOCATION DETAIL



PILE DATA

Type: HP12x63
 Nominal Required Bearing: 455 k
 Factored Resistance Available: 250 k
 Est. Length: 20 ft.
 No. Production Piles: 16
 No. Test Piles: 0



ELEVATION
(Looking South)



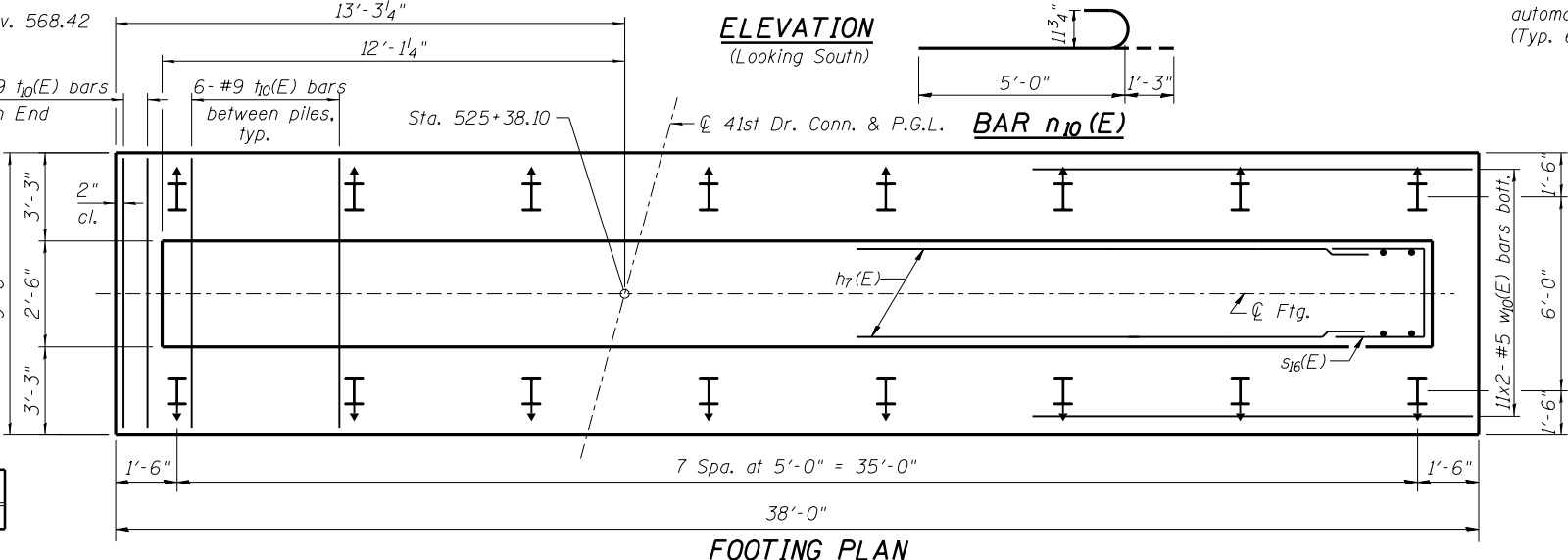
END VIEW

A & B DIMENSIONS

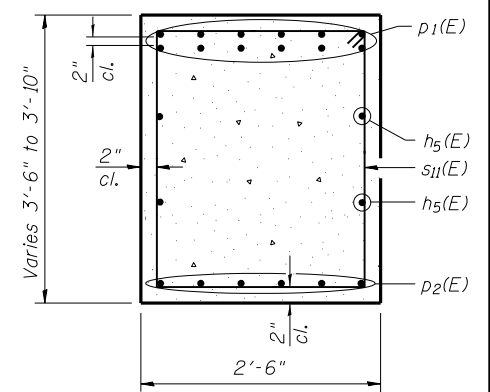
Bar	A	B
s12(E)	2'-2"	2'-2"
s13(E)	1'-10"	2'-8"
s14(E)	1'-10"	3'-2"
s16(E)	2'-2"	2'-11"
s17(E)	2'-2"	8'-9"
s18(E)	2'-2"	1'-0"

PIER BEARING SEAT ELEVATIONS

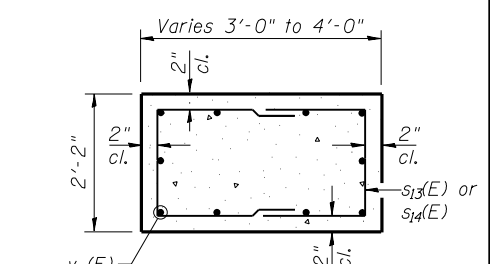
Station	1	2	3	4	5	6
Elevation	590.27	590.42	590.51	590.34	590.17	590.32



FOOTING PLAN



SECTION A-A



SECTION B-B

LAP SPLICE

Bar	Min. Lap	Top Bars
#4	2'-7"	2'-11"
#5	3'-3"	3'-8"
#8	6'-9"	7'-8"
#9	8'-7"	9'-8"

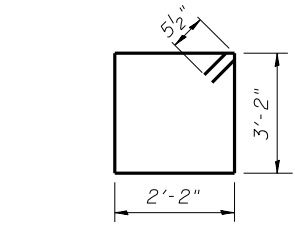
BILL OF MATERIAL

Bar	No.	Size	Length	Shape
h5(E)	8	# 4	24'-8"	—
h6(E)	8	# 8	21'-6"	—
h7(E)	28	# 4	19'-2"	—
h8(E)	3	# 5	7'-6"	—
n10(E)	30	# 9	6'-3"	C
p1(E)	24	# 9	28'-1"	—
p2(E)	12	# 8	20'-9"	—
p3(E)	12	# 8	5'-11"	—
s11(E)	36	# 5	11'-7"	□
s12(E)	48	# 5	6'-6"	□
s13(E)	30	# 3	7'-2"	□
s14(E)	30	# 3	8'-2"	□
s16(E)	16	# 4	8'-0"	□
s17(E)	37	# 9	19'-8"	□
s18(E)	9	# 5	4'-2"	□
u10(E)	6	# 6	11'-0"	□
v10(E)	30	# 9	10'-11"	—
w10(E)	22	# 5	20'-5"	—
Structure Excavation		Cu. Yd.	91	
Concrete Structures		Cu. Yd.	76.7	
Reinforcement Bars, Epoxy Coated		Pound	11,300	
Furnishing Steel Piles HP 12x63		Foot	320	
Driving Piles		Foot	320	
Concrete Sealer		Sq. Ft.	1,315	

* Typical each flange, each pile. Cost included with Furnishing Piles.

* 4-3/4" φ X 4" Granular or solid flux filled headed studs automatically end welded (Typ. each flange, each pile)

DETAIL A



BAR n10(E)

BAR u10(E)

N:\PROJECTS\081\081\CONTRACT\1\Design\Structure\1\CAD\081-0176-0264884-22-Pier.dgn
 11/15/2013 10:58:14 AM



USER NAME = mteng
 DESIGNED - SMY
 CHECKED - BWS
 PLOT SCALE = 0.1667' / in.
 DRAWN - RD
 PLOT DATE = 3/11/2013

DESIGNED - SMY
 CHECKED - BWS
 REVISIONS:

REVISIONS:

STATE OF ILLINOIS
 DEPARTMENT OF TRANSPORTATION

PIER
 STRUCTURE NO. 081-0176
 SHEET NO. S-22 OF S-27 SHEETS

F.A.P. RTE.	SECTION	COUNTY	TOTAL SHEETS	SHEET NO.
595	(142-11R & 142-11B)	ROCK ISLAND	507	321
CONTRACT NO. 64B84			ILLINOIS FED. AID PROJECT	