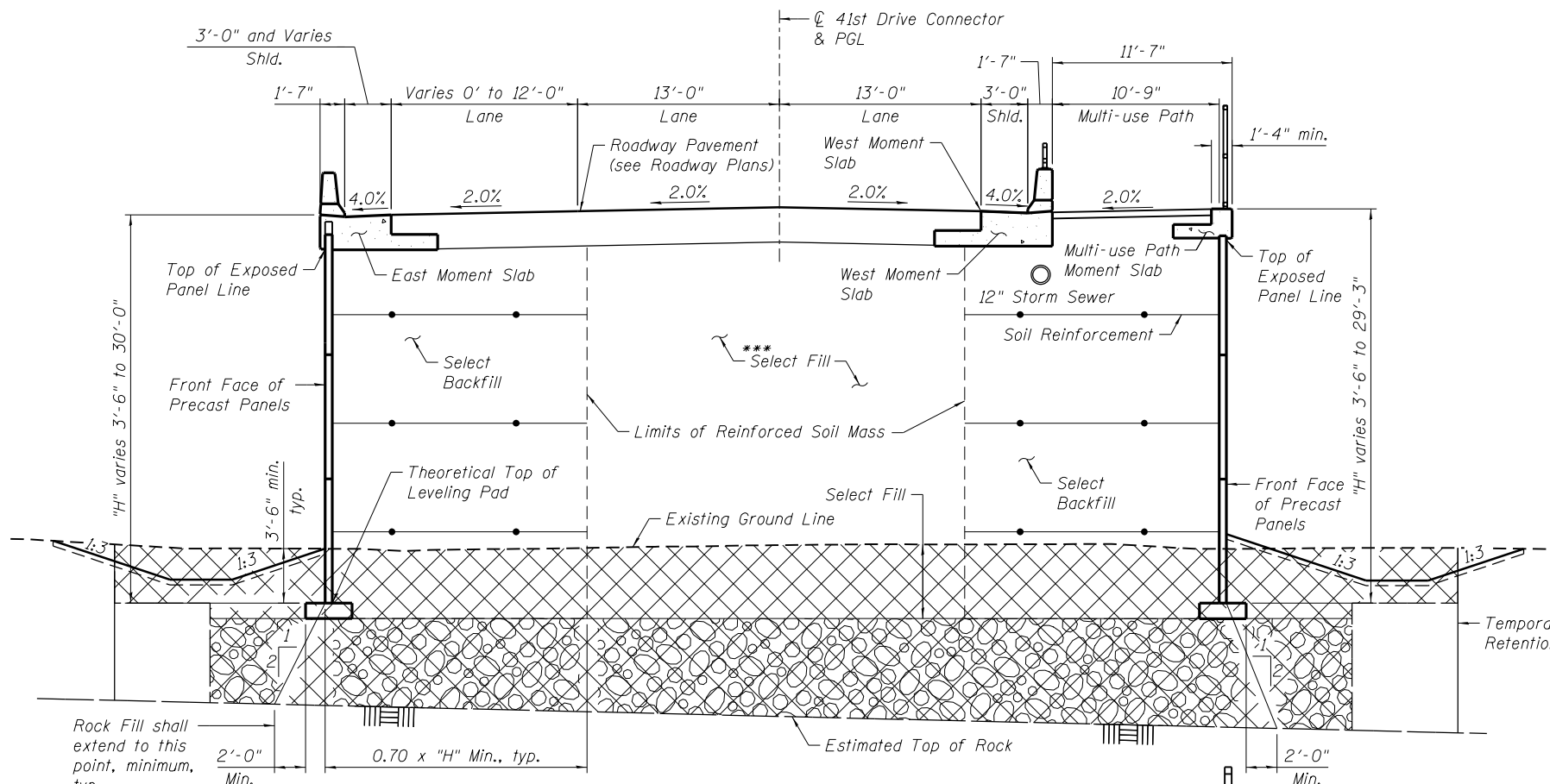
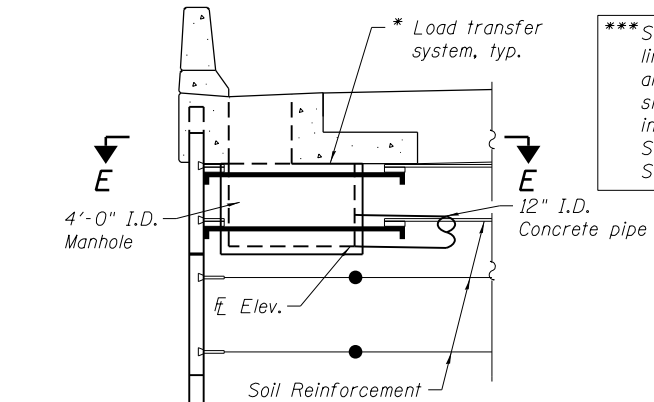


N:\PROJECTS\081-0176\CONTRACT\1\Design\Structure\CAD\Retaining Wall 081-7002\081-7002_03 Sections_Revise.dgn

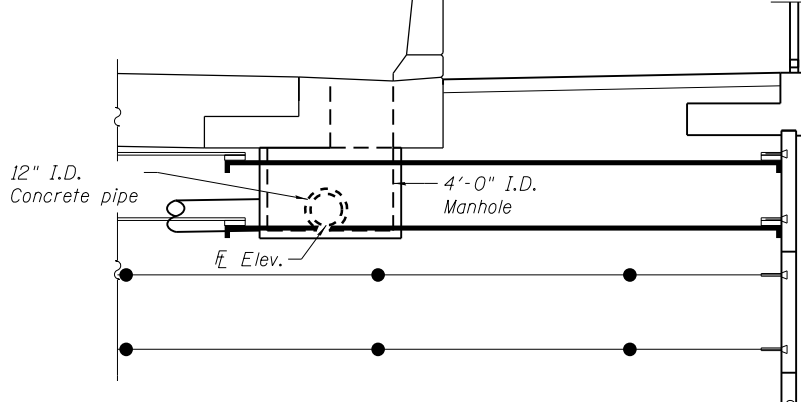


SECTION A-A

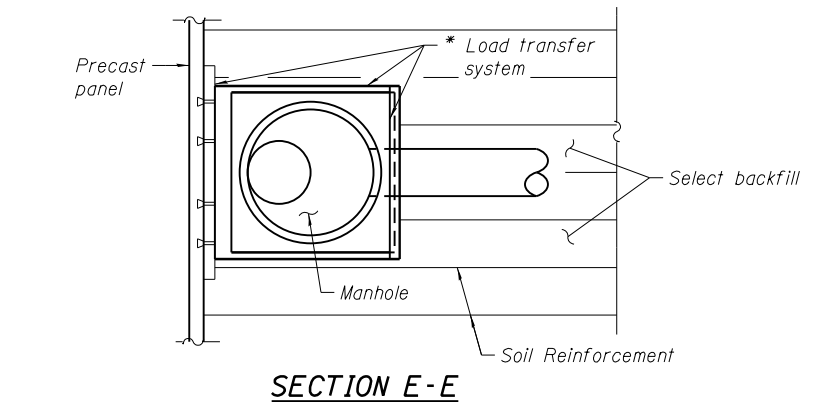


DETAIL C

* M.S.E. supplier to design load transfer system to accommodate concrete pipe and manhole.



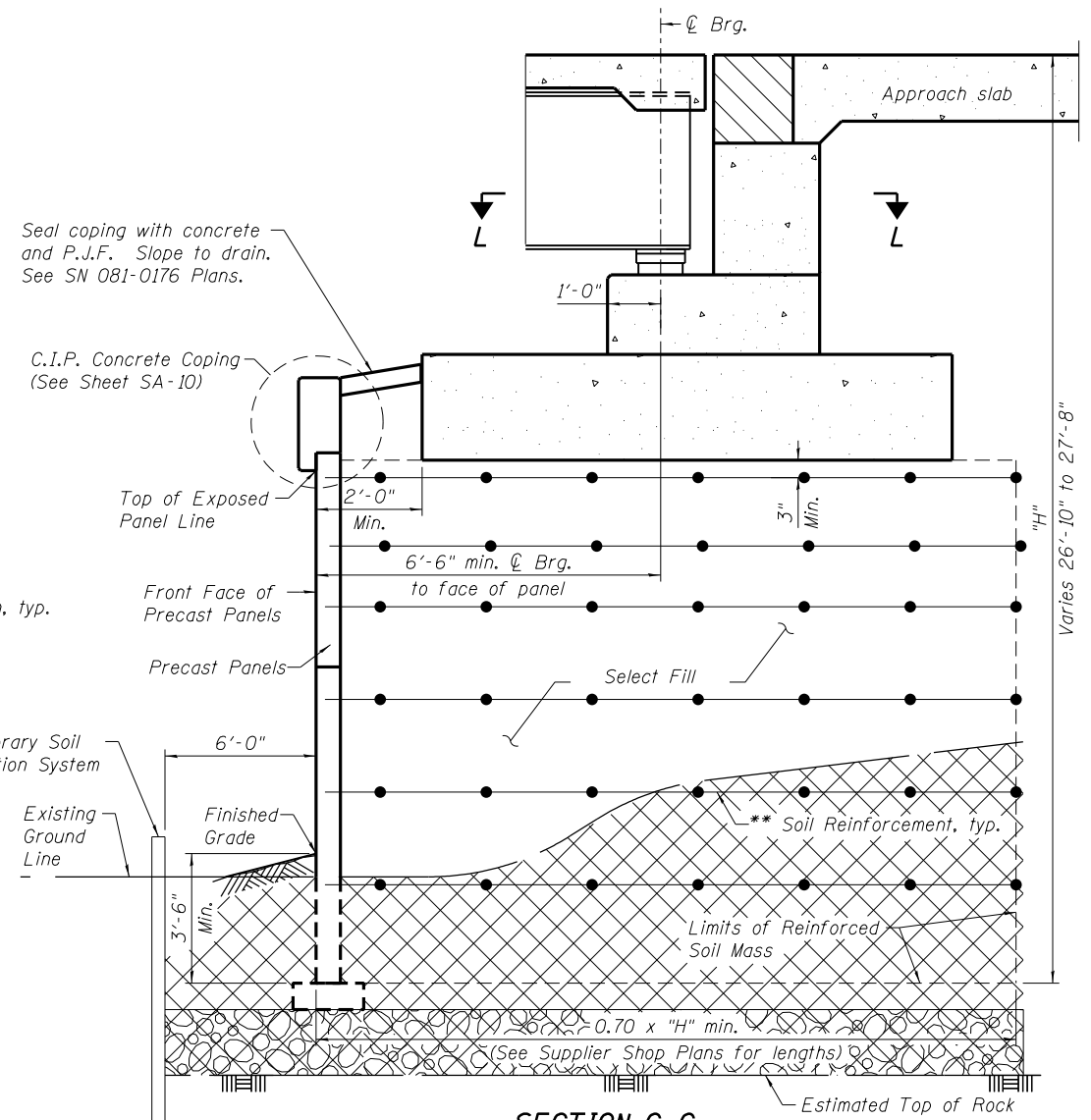
DETAIL D



SECTION E-E

LEGEND:

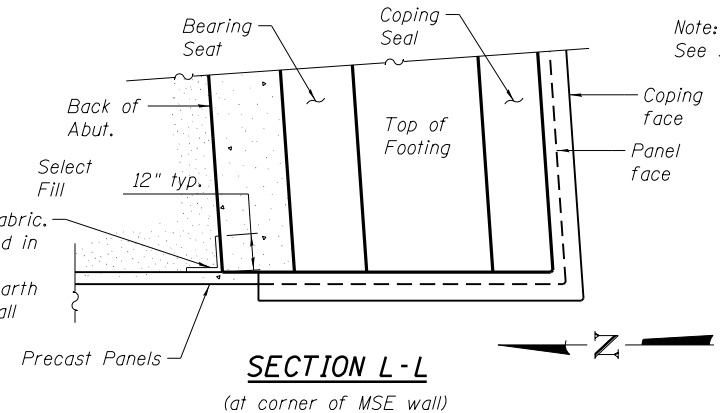
- Removal and Disposal of Unsuitable Materials See Roadway plans for Removal of Unsuitable Materials quantity.
- Rock Fill See Roadway plans for Rock Fill quantity. Rock Fill is to be placed up to the top of existing ground or bottom of MSE Wall leveling pad, whichever is lower.
- Geotextile fabric. Cost included in Mechanically Stabilized Earth Retaining Wall



SECTION G-G

(Typical wall section thru abutment)

** The M.S.E. Wall supplier's internal stability design shall account for the footing's bearing pressure surcharge of 3 ksf and horizontal sliding force of 1.6 kips/ft. of abutment.



SECTION L-L

(at corner of MSE wall)

Note: See Structure No. 081-0176 Plans for abutment details.



USER NAME = rdnley	DESIGNED - APD	REVISED - Addendum 1 8/15/2013
PLOT SCALE = 10:8.000000 '1' / in.	CHECKED - BWS	REVISED -
PLOT DATE = 8/13/2013	DRAWN - RD	REVISED -
	CHECKED - JJH	REVISED -

**STATE OF ILLINOIS
DEPARTMENT OF TRANSPORTATION**

**SECTIONS
STRUCTURE NO. 081-7002**
SHEET NO. SA-3 OF SA-16 SHEETS

F.A.P. RTE.	SECTION	COUNTY	TOTAL SHEETS	SHEET NO.
595	(142-1)R-1 AND 142-1)B	ROCK ISLAND	507	329
				CONTRACT NO. 64B84

ILLINOIS FED. AID PROJECT