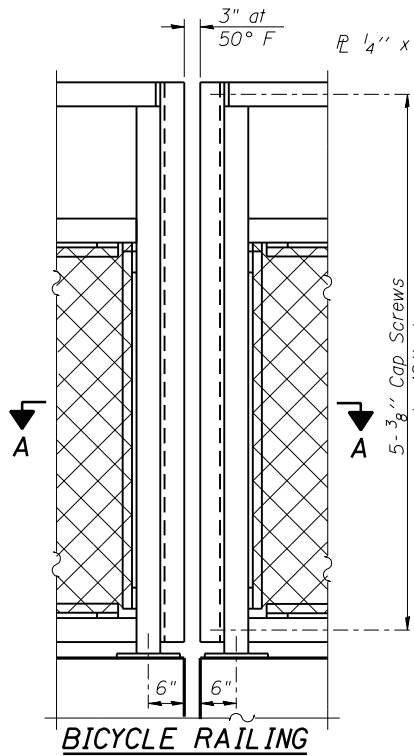
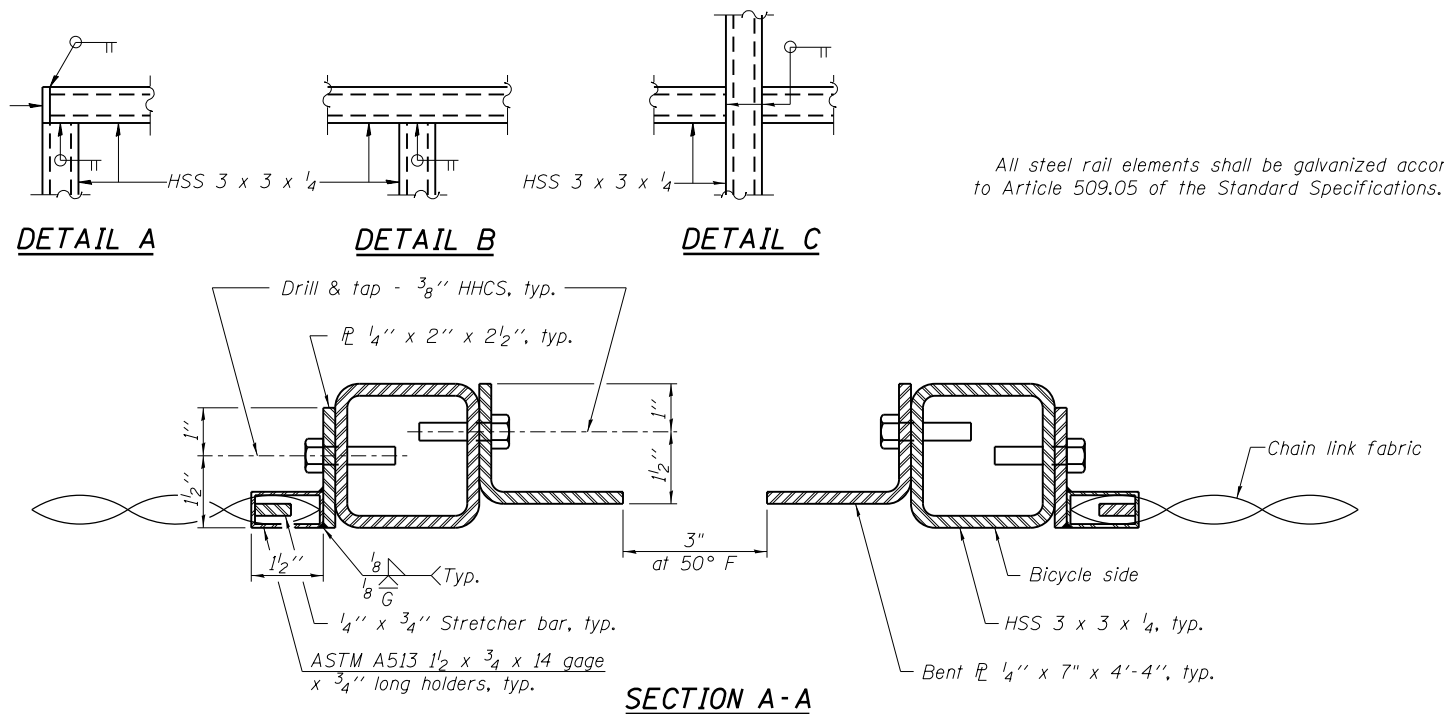


BICYCLE RAILING

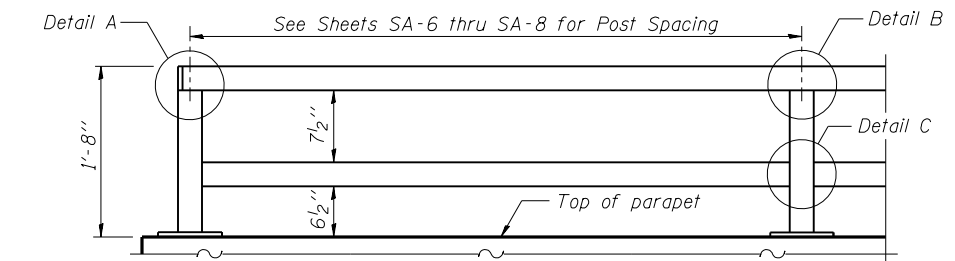


BICYCLE RAILING

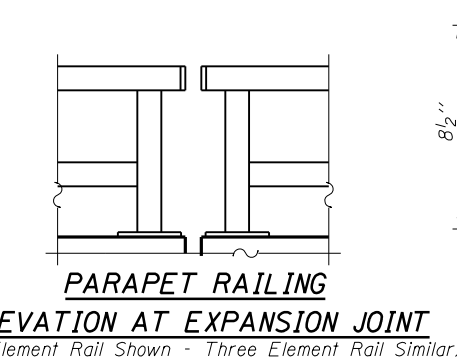


All steel rail elements shall be galvanized according to Article 509.05 of the Standard Specifications.

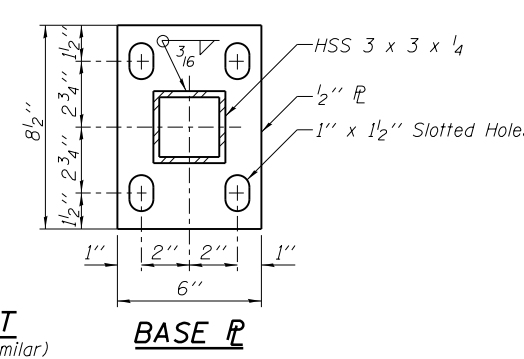
SECTION A-A



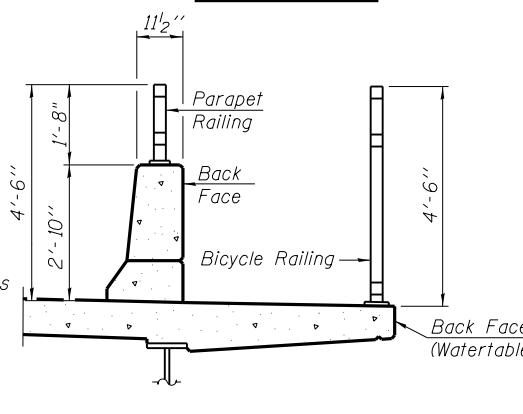
**PARAPET RAILING
ELEVATION**
(Inside Face of Two Element Rail)



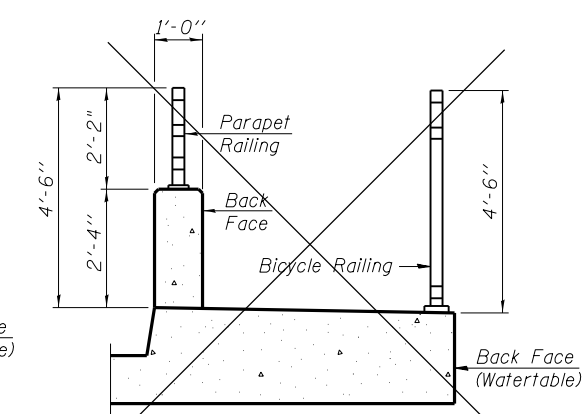
**PARAPET RAILING
ELEVATION AT EXPANSION JOINT**
(Two Element Rail Shown - Three Element Rail Similar)



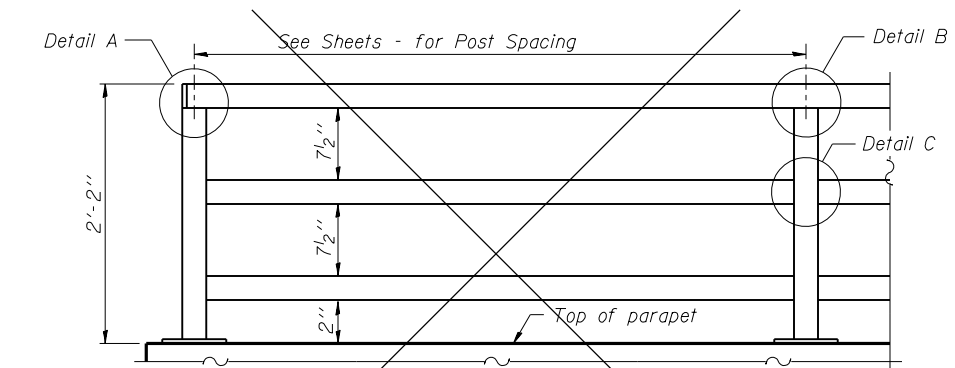
BASE PLATE



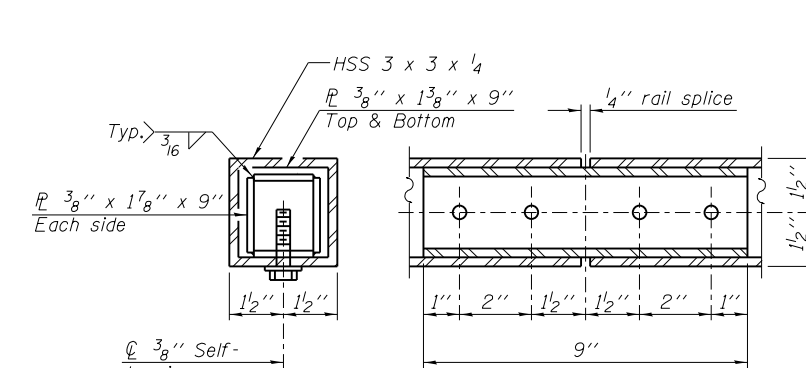
SECTION THRU DECK



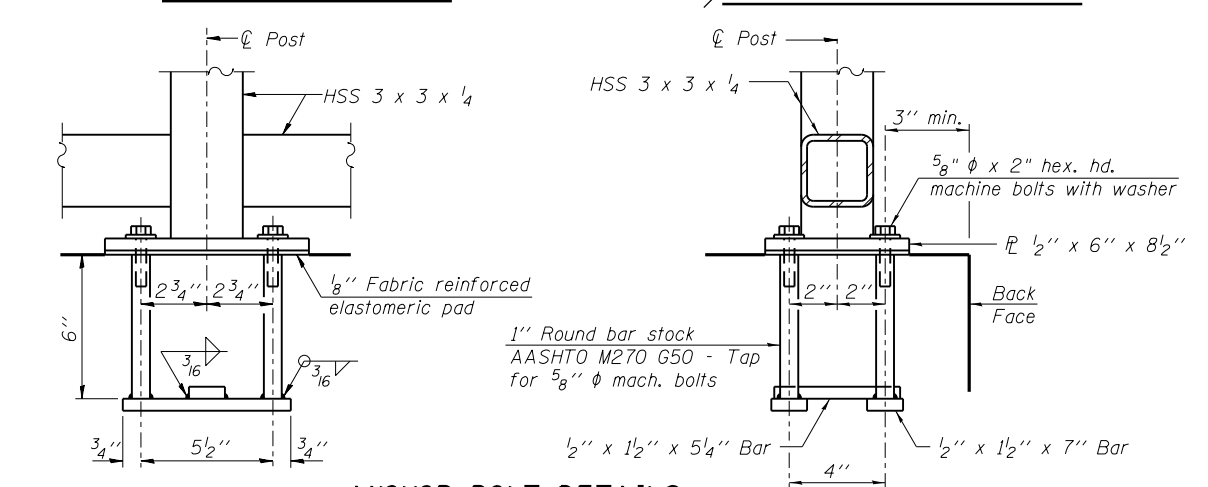
SECTION THRU SIDEWALK



**PARAPET RAILING
ELEVATION**
(Inside Face of Three Element Rail)



RAIL SPLICE



ANCHOR BOLT DETAILS

In lieu of the cast-in-place anchor device shown, the Contractor has the option of drilling and setting 5/8" diameter anchor rods according to Article 509.06 of the Standard Specifications. Embedment shall be according to the manufacturer's specifications.

BILL OF MATERIAL

Item	Unit	Quantity
Bicycle Railing	Foot	285
Parapet Railing	Foot	352

I:\PROJECTS\081-7002\081-7002-12-Bicycle_Railing.dgn
 CONTRACTOR: 081-7002-081-7002-12-Bicycle_Railing.dgn
 DESIGN: 081-7002-081-7002-12-Bicycle_Railing.dgn
 DATE: 3/11/2013
 USER: mteng
 PLOT SCALE: 0.25" = 1'-0"
 PLOT DATE: 3/11/2013

R-29 1-27-12 (10'-0" Maximum Post Spacing)



USER NAME = mteng	DESIGNED - APD	REVISED -
	CHECKED - BWS	REVISED -
PLOT SCALE = 0.25" = 1'-0"	DRAWN - RD	REVISED -
PLOT DATE = 3/11/2013	CHECKED - BWS	REVISED -

**STATE OF ILLINOIS
DEPARTMENT OF TRANSPORTATION**

**BICYCLE RAILING
STRUCTURE NO. 081-7002**
SHEET NO. SA-12 OF SA-16 SHEETS

F.A.P. RTE.	SECTION	COUNTY	TOTAL SHEETS	SHEET NO.
595	(142-1)R-1 AND 142-1)B	ROCK ISLAND	507	338
			CONTRACT NO. 64B84	
ILLINOIS FED. AID PROJECT				