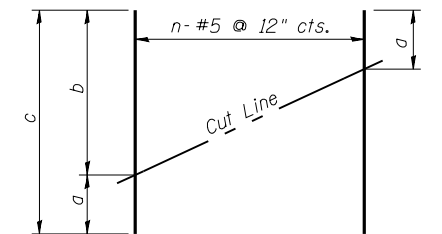


**ELEVATION - PANELS 1 AND 2**

(Looking at Front Face)  
(Dimensions Measured along Front Face)



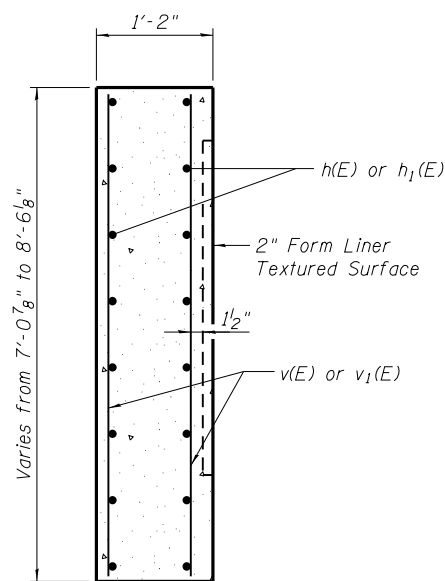
**FIELD CUTTING DIAGRAM**

Order v(E) and v1(E) full length. Cut as shown and use remainder of bars in opposite face.

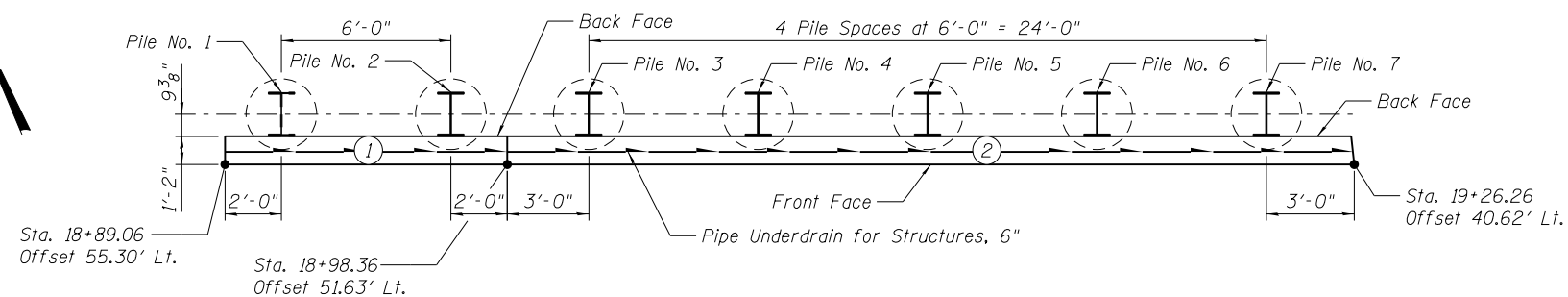
Bar	n	a	b	c
v(E)	10	6'-7"	7'-7"	14'-2"
v1(E)	30	7'-7"	8'-1"	15'-8"

**BAR LIST**

Bar	No.	Size	Length	Shape
h(E)	18	#5	13'-3"	—
h1(E)	18	#5	29'-9"	—
v(E)	10	#5	14'-2"	—
v1(E)	30	#5	15'-8"	—



**SECTION THRU  
CIP FACING**



**PLAN**

**MINIMUM BAR LAP**

#5 bar = 3'-3"

**LEGEND**

⊕ = Panel Number

E.F. = Each Face

Notes:

For Top of Pile Elevations & Pile Tip Elevations, see Soldier Pile Summary on Sheet SD-3 of SD-18. Space reinforcement to miss shear studs. Bend h(E) bars in field.

(Sheet 1 of 10)