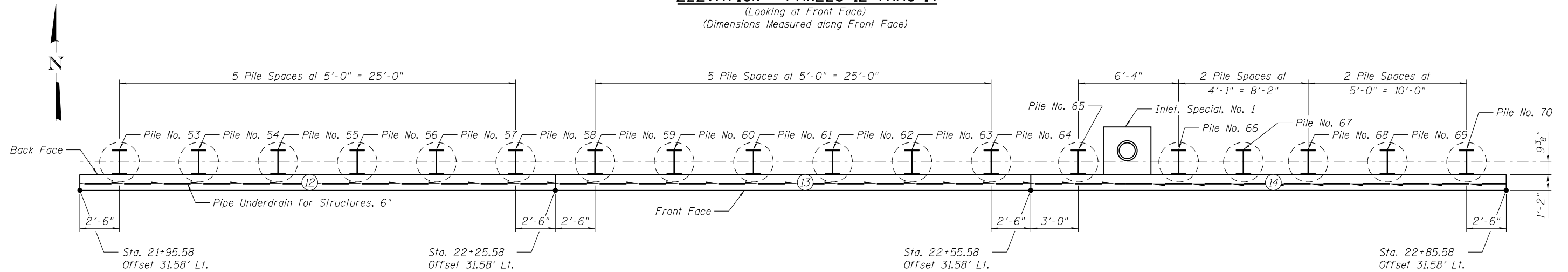
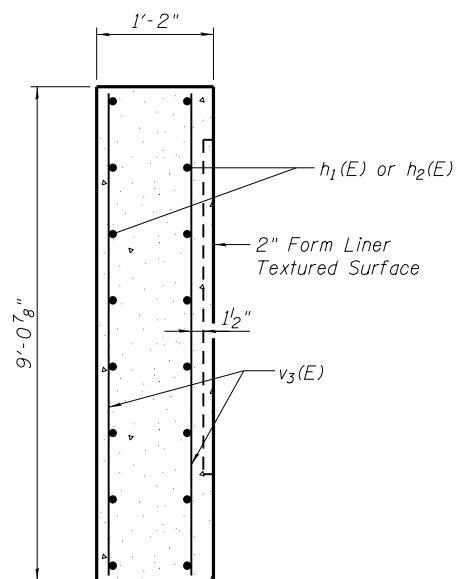


**ELEVATION - PANELS 12 THRU 14**  
 (Looking at Front Face)  
 (Dimensions Measured along Front Face)



**PLAN**



**SECTION THRU  
 CIP FACING**

**MINIMUM BAR LAP**  
 #5 bar = 3'-3"

**LEGEND**

Ⓜ = Panel Number  
 E.F. = Each Face

Notes:  
 For Top of Pile Elevations & Pile Tip Elevations, see Soldier Pile Summary on Sheet SD-03 of SD-18.  
 Space reinforcement to miss shear studs.

**BAR LIST**

Bar	No.	Size	Length	Shape
h <sub>1</sub> (E)	20	#5	29'-9"	—
h <sub>2</sub> (E)	40	#5	33'-3"	—
v <sub>3</sub> (E)	180	#5	8'-8"	—

(Sheet 5 of 10)