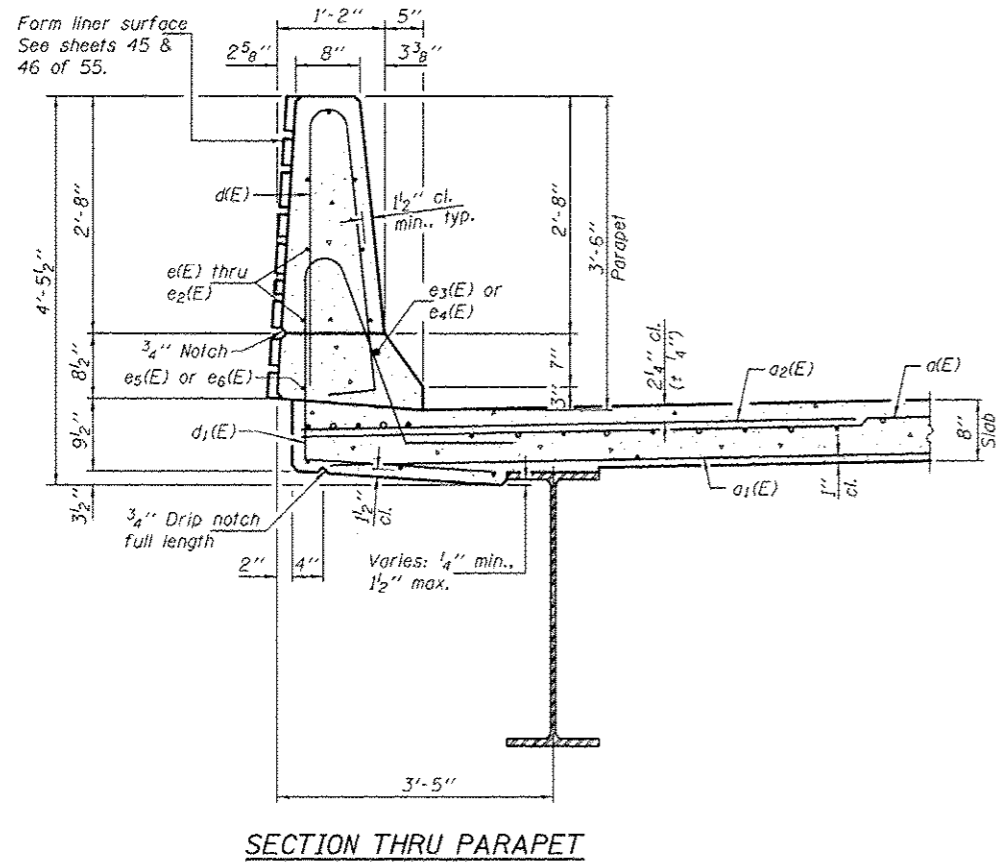
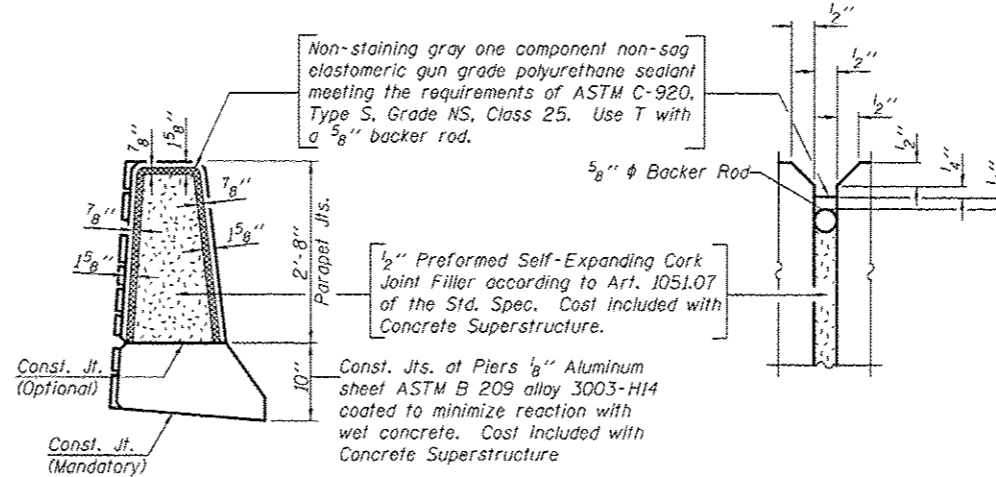


**INSIDE ELEVATION OF NORTH PARAPET (E.B.)**  
(Looking North - South parapet similar)

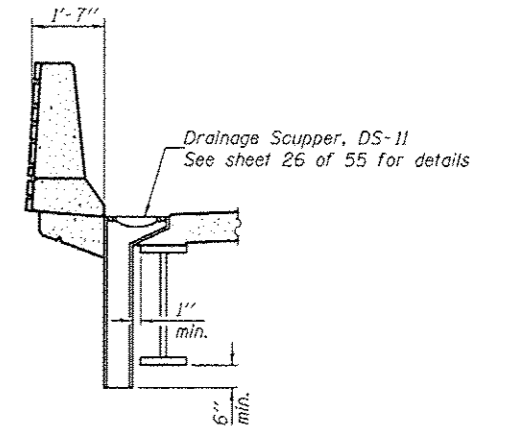


**SECTION THRU PARAPET**

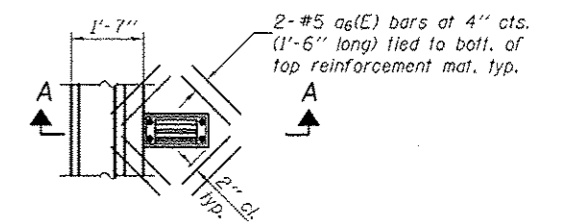


**PARAPET JOINT DETAILS**

**MIN. BAR LAP**  
(Parapet)  
#4 bar = 2'-0"  
#8 bar = 5'-2"



**SECTION A-A**



**PLAN**

Note:  
Cut longitudinal reinforcement to clear drainage scuppers.

DESIGNED - Nick R. Barnett	EXAMINED - <i>James F. [Signature]</i>	DATE - OCTOBER 4, 2013
CHECKED - Al-Barrac R. Shebl	ACTING ENGINEER OF BRIDGE DESIGN	
DRAWN - h.t. duong	PASSED - <i>[Signature]</i>	REVISED
CHECKED - NRB/GRA	ACTING ENGINEER OF BRIDGES AND STRUCTURES	REVISED

STATE OF ILLINOIS  
DEPARTMENT OF TRANSPORTATION

SUPERSTRUCTURE DETAILS  
STRUCTURE NO. 101-0195 (E.B.) & 101-0196 (W.B.)

F.A.P. RTE.	SECTION	COUNTY	TOTAL SHEETS	SHEET NO.
301	3BR & 3BR-1	WINNEBAGO	290	118
CONTRACT NO. 64D19				

SHEET NO. 19 OF 55 SHEETS

ILLINOIS FED. AID PROJECT