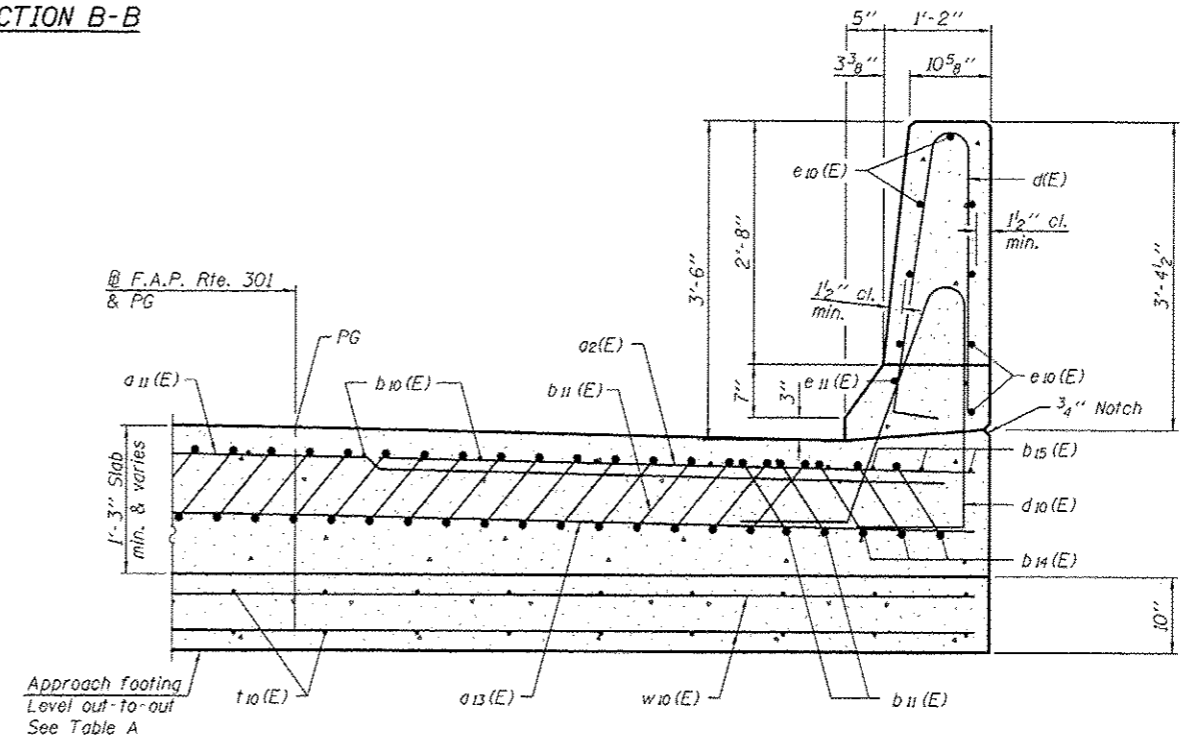
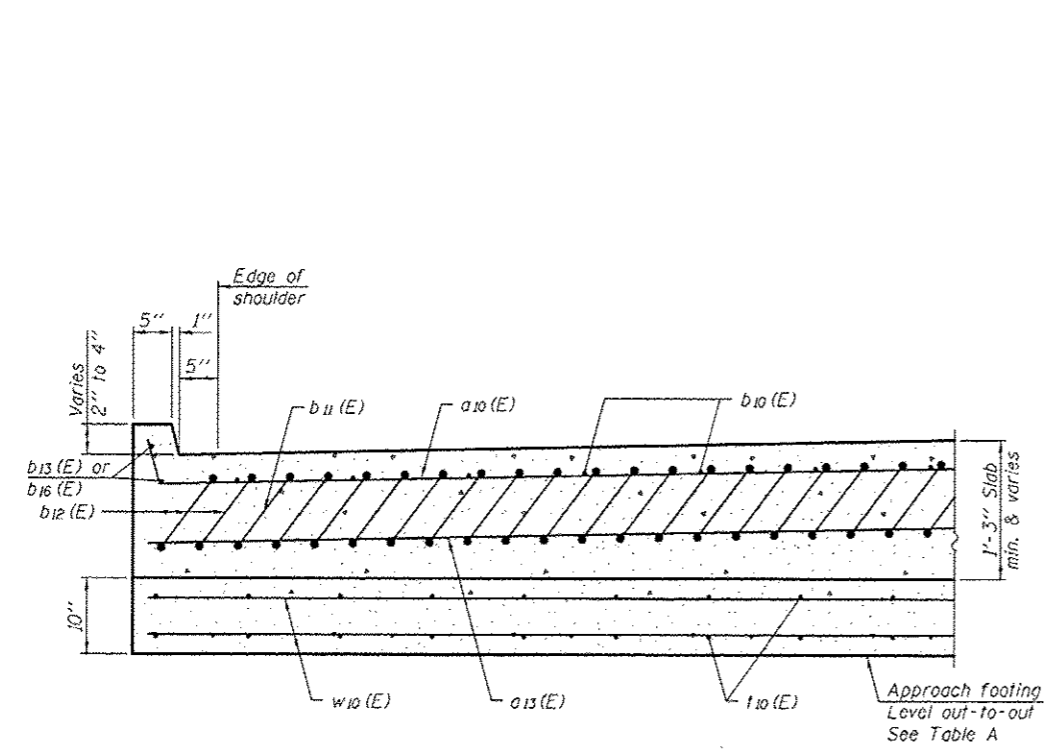
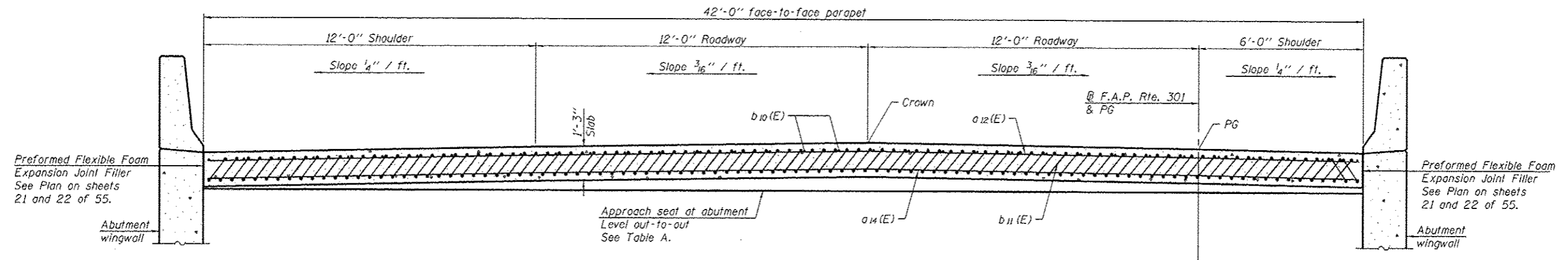


TABLE A

Location	Approach seat Elev. at abutment	Bottom of Footing Elev.
West Approach (Westbound)	712.33	711.77
East Approach (Westbound)	709.70	708.73
West Approach (Eastbound)	712.71	712.15
East Approach (Eastbound)	710.08	709.11



DESIGNED - NICHOLAS R. BARNETT
 CHECKED - AL-BARRAE SHEBIB
 DRAWN - MICHAEL B. MOSSMAN
 CHECKED - N.R.B. / G.R.A.

EXAMINED _____
 ACTING ENGINEER OF BRIDGE DESIGN

PASSED _____
 ACTING ENGINEER OF BRIDGES AND STRUCTURES

DATE - OCTOBER 4, 2013

REVISED _____
 REVISED _____

STATE OF ILLINOIS
 DEPARTMENT OF TRANSPORTATION

BRIDGE APPROACH SLAB DETAILS
 STRUCTURE NO. 101 - 0195 (EB) & 101 - 0196 (WB)

F.A.P. RTE.	SECTION	COUNTY	TOTAL SHEETS	SHEET NO.
301	38R & 38R-1	WINNEBAGO	290	122

CONTRACT NO. 64D19
 SHEET NO. 23 OF 55 SHEETS
 ILLINOIS FED. AID PROJECT