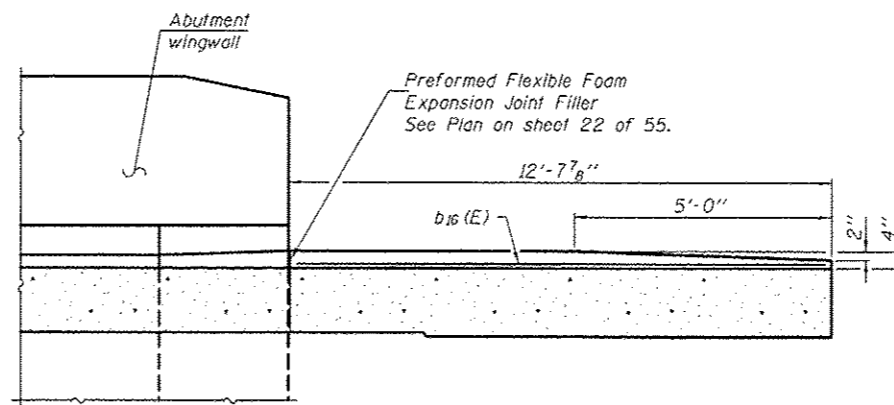
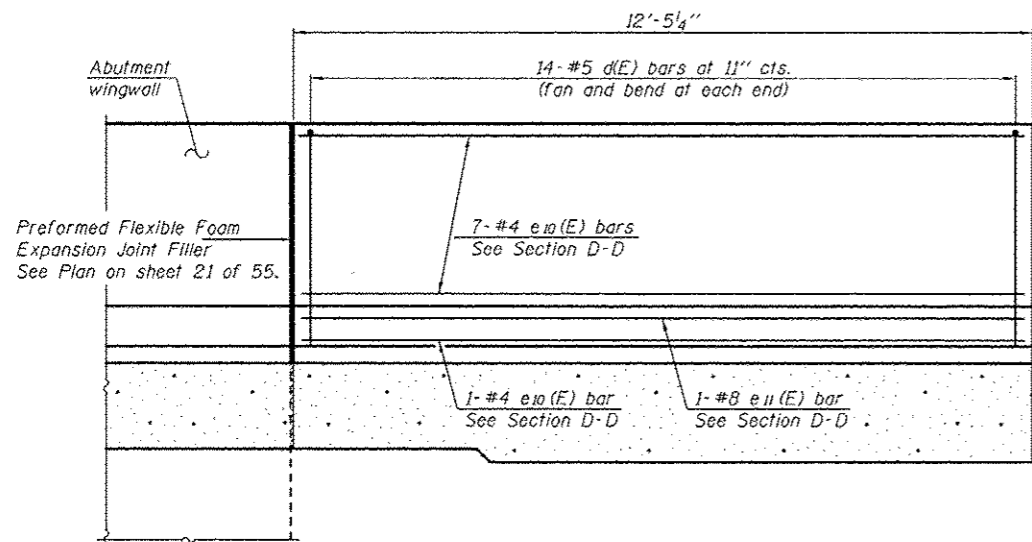


VIEW E-E
(Showing curb reinforcement)

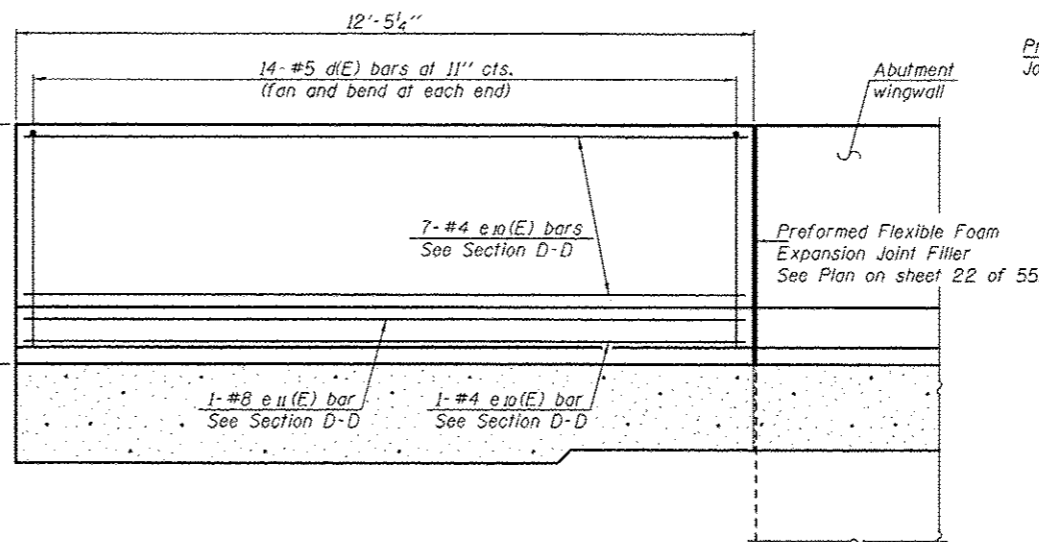


VIEW G-G
(Showing curb reinforcement)

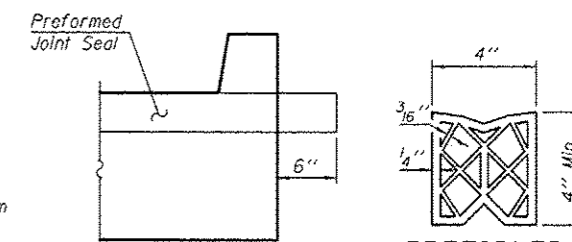
Notes:
 Approach slab and parapet concrete shall be paid for as Concrete Superstructure.
 Approach footing concrete shall be paid for as Concrete Structures.
 Reinforcement shall be paid for as Reinforcement Bars, Epoxy Coated.
 For v(E) bar details, see sheets 31, 34, 37 and 40 of 55.
 The approach footing maximum applied service bearing pressure (Omax) = 2.0 ksf.
 For bar splicer details, see sheet 49 of 55.
 Cost of excavation for approach footing included with Concrete Structures.
 For Granular Backfill and drainage treatment details, see sheet 2 of 55.
 The joint opening shall be determined per Article 520.04. The minimum dimension shall be 1 1/2" for installation purposes.



VIEW F-F
(Showing parapet reinforcement)



VIEW H-H
(Showing parapet reinforcement)

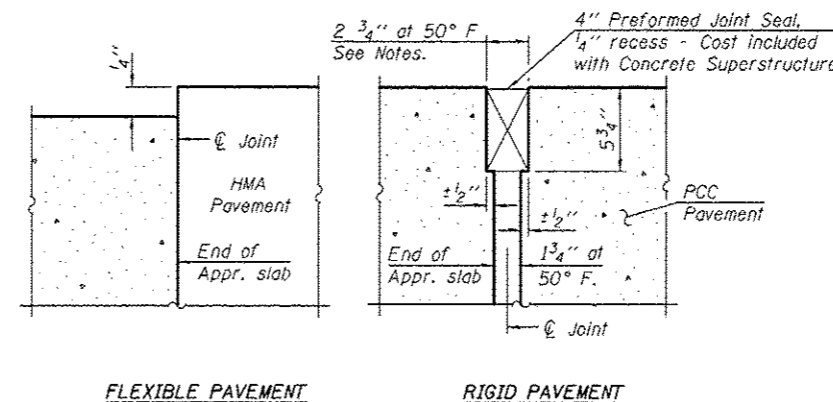
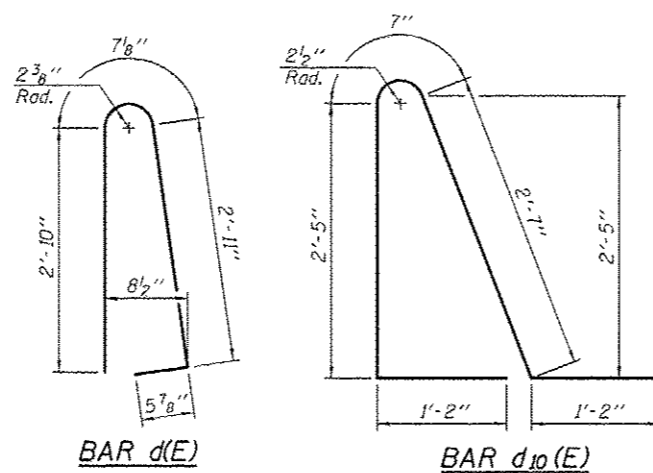
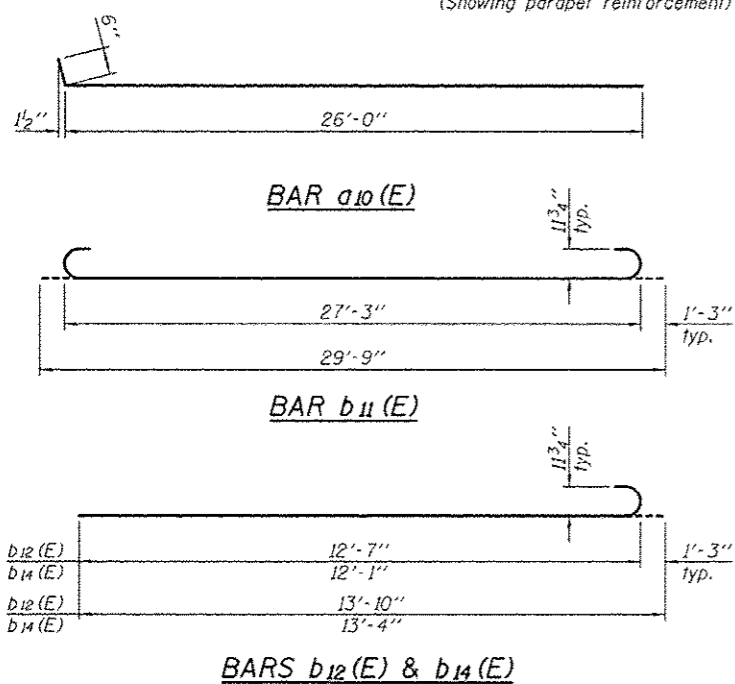


VIEW I-I
(Curb side shown. Treatment at parapet similar)

PREFORMED JOINT SEAL

**FOUR APPROACHES
BILL OF MATERIAL**

Bar	No.	Size	Length	Shape
a2(E)	44	#6	6'-6"	—
a10(E)	48	#4	26'-6"	—
a11(E)	48	#4	26'-0"	—
a12(E)	104	#4	24'-9"	—
a13(E)	88	#5	49'-6"	—
a14(E)	92	#5	46'-8"	—
b10(E)	136	#4	29'-8"	—
b11(E)	404	#9	29'-9"	—
b12(E)	8	#9	13'-10"	—
b13(E)	4	#4	11'-7"	—
b14(E)	12	#9	13'-4"	—
b15(E)	12	#5	12'-1"	—
b16(E)	4	#4	12'-5"	—
d(E)	56	#5	6'-10"	—
d10(E)	60	#5	7'-11"	—
e10(E)	32	#4	12'-2"	—
e11(E)	4	#8	12'-2"	—
f10(E)	360	#4	10'-10"	—
w10(E)	160	#5	49'-6"	—
Concrete Superstructure		Cu. Yd.		285
Concrete Structures		Cu. Yd.		61.7
Reinforcement Bars, Epoxy Coated		Pound		69,700



FLEXIBLE PAVEMENT RIGID PAVEMENT

DETAIL A

DESIGNED - NICHOLAS R. BARNETT	EXAMINED - _____	DATE - OCTOBER 4, 2013
CHECKED - AL-BARRAE SHEBIB	ACTING ENGINEER OF BRIDGE DESIGN	
DRAWN - MICHAEL B. MOSSMAN	PASSED - _____	REVISED - _____
CHECKED - N.R.B. / G.R.A.	ACTING ENGINEER OF BRIDGES AND STRUCTURES	REVISED - _____

**STATE OF ILLINOIS
DEPARTMENT OF TRANSPORTATION**

**BRIDGE APPROACH SLAB DETAILS
STRUCTURE NO. 101 - 0195 (EB) & 101 - 0196 (WB)**

F.A.P. RTE. 301	SECTION 3BR & 3BR-1	COUNTY WINNEBAGO	TOTAL SHEETS 290	SHEET NO. 123
			CONTRACT NO. 64D19	
ILLINOIS FED. AID PROJECT				

SHEET NO. 24 OF 55 SHEETS