

Notes:

Hatched area to be poured after superstructure false work has been removed. Quantity of concrete included with Concrete Superstructure.

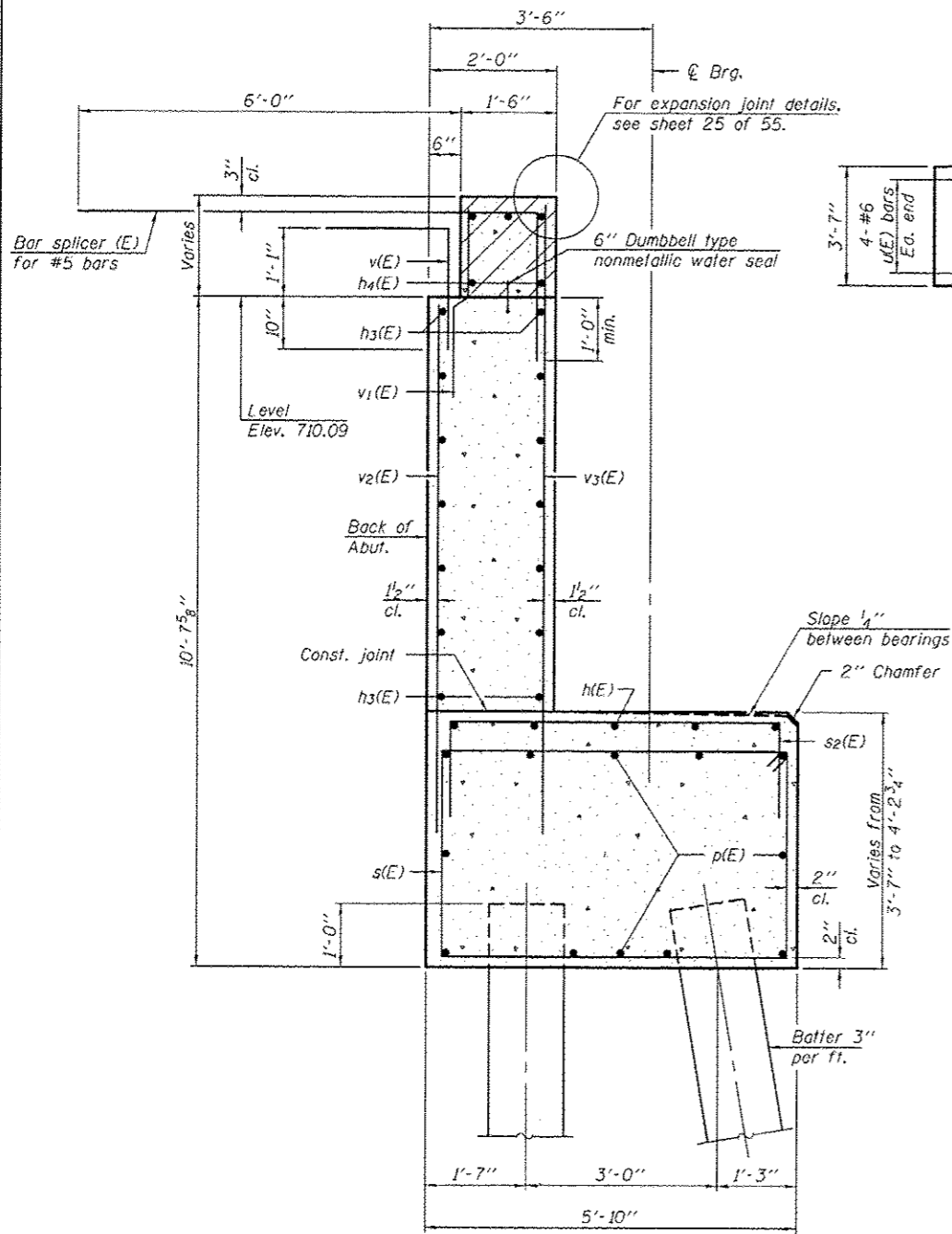
Space reinforcement in cap to miss anchor bolts. Pour steps monolithically with cap.

Quantity of concrete in end post included with Concrete Superstructure on sheet 20 of 55.

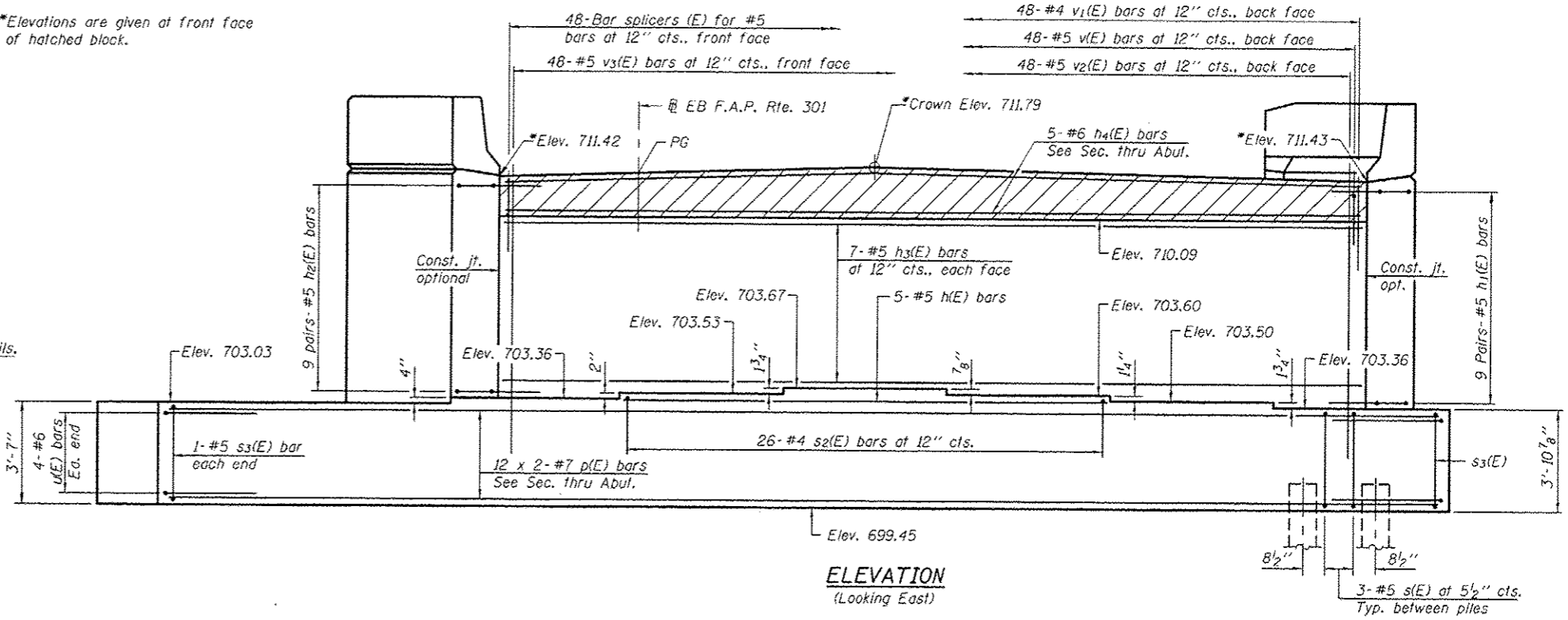
See sheet 46 of 55 for additional form liner details. Form Liner shall be placed on outside face of wingwalls as shown in the Wingwall Elevation shown below.

For bar splicer details, see sheet 49 of 55.

*Elevations are given at front face of hatched block.

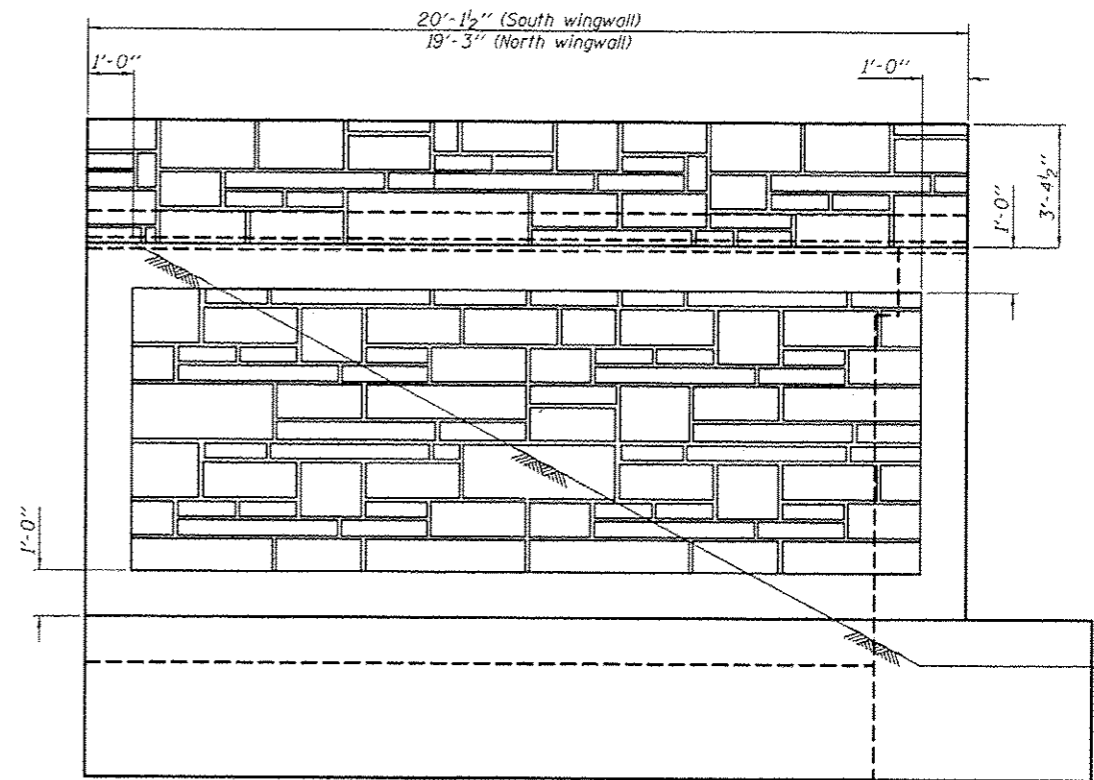


SECTION THRU EAST ABUTMENT



ELEVATION (Looking East)

MIN. BAR LAP
#7 bar = 5'-2"



WINGWALL ELEVATION
(North wingwall shown, South wingwall similar).

DESIGNED - NICHOLAS R. BARNETT	EXAMINED - <i>James F. [Signature]</i>	DATE - OCTOBER 4, 2013	STATE OF ILLINOIS DEPARTMENT OF TRANSPORTATION	EAST ABUTMENT (E.B.) - STAGE I CONSTRUCTION STRUCTURE NO. 101-0195 (E.B.) & 101-0196 (W.B.)	F.A.P. RTE. 301	SECTION 3BR & 3BR-1	COUNTY WINNEBAGO	TOTAL SHEETS 290	SHEET NO. 134
CHECKED - AL-BARRAE R. SHEBIB	PASSED - <i>[Signature]</i>	REVISED			CONTRACT NO. 64D19	ILLINOIS FED. AID PROJECT			
DRAWN - H.T. DUONG / M.B.M.	ACTING ENGINEER OF BRIDGES AND STRUCTURES	REVISED			SHEET NO. 35 OF 55 SHEETS				
CHECKED - NRB/GRA									