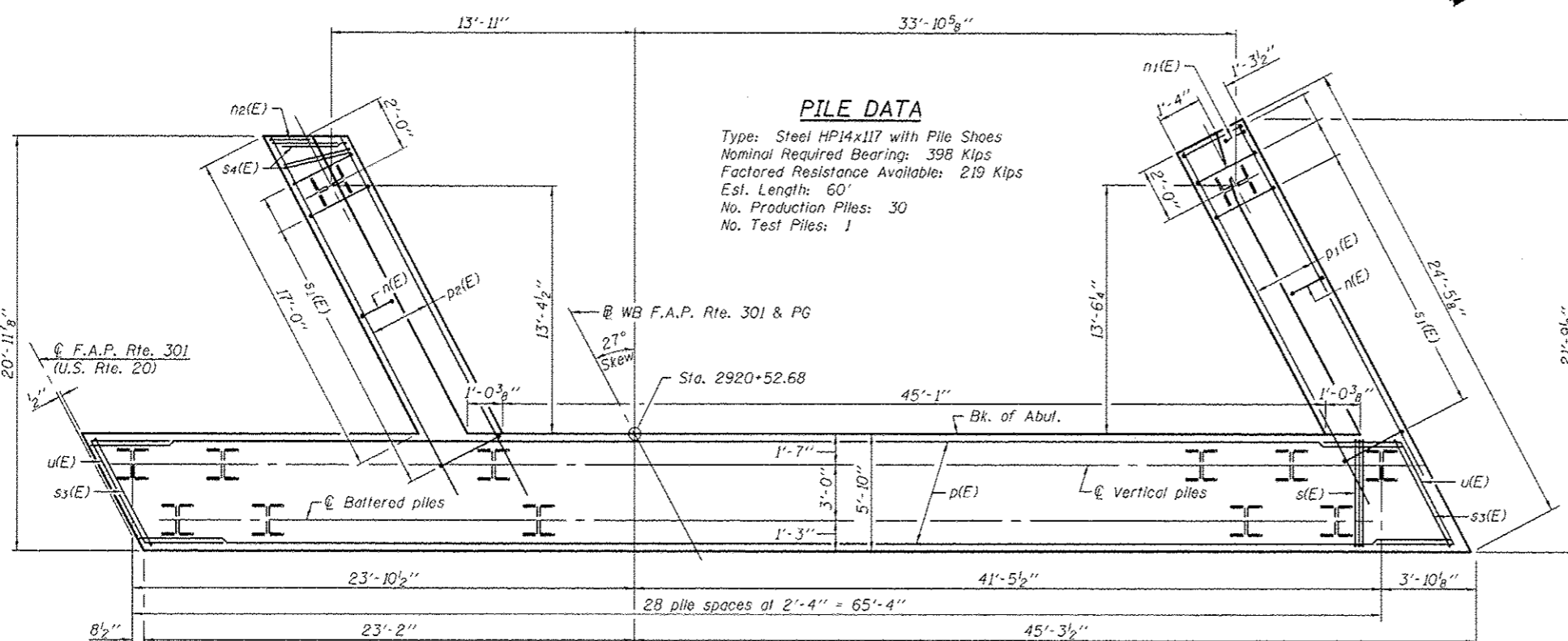
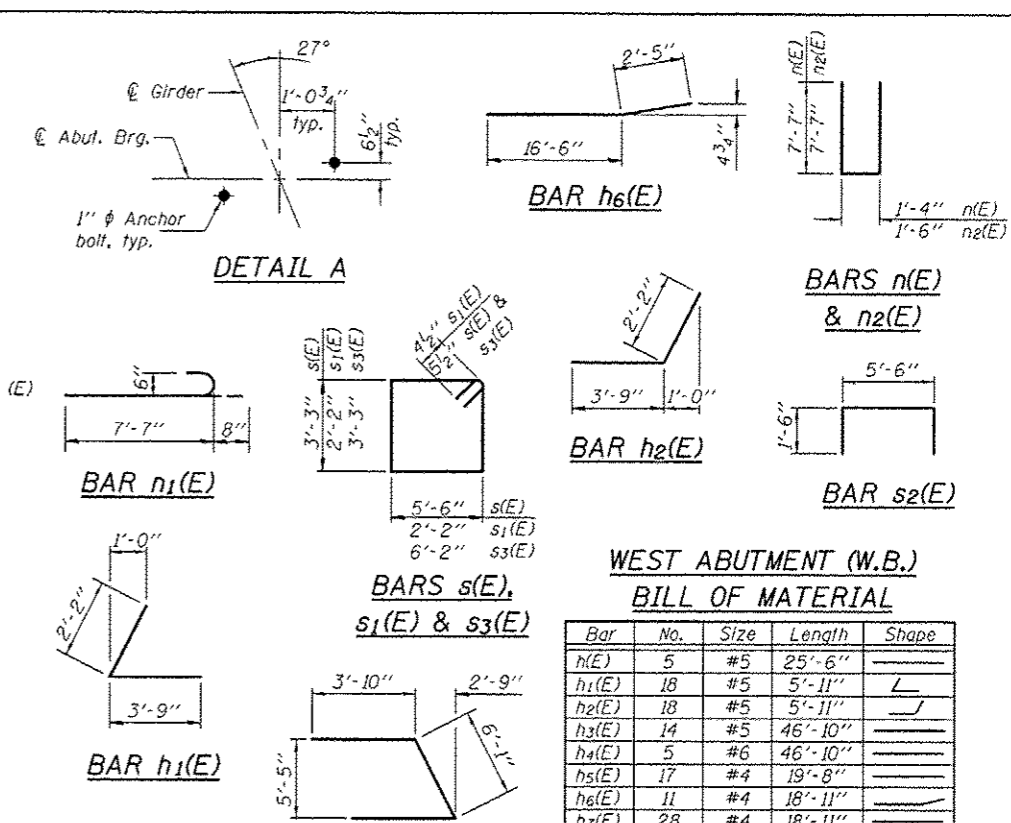


TOP VIEW



PILE DATA

Type: Steel HP14x117 with Pile Shoes
 Nominal Required Bearing: 398 Kips
 Factored Resistance Available: 219 Kips
 Est. Length: 60'
 No. Production Piles: 30
 No. Test Piles: 1

PLAN-PILE CAP

**WEST ABUTMENT (W.B.)
 BILL OF MATERIAL**

Bar	No.	Size	Length	Shape
n(E)	5	#5	25'-6"	—
h1(E)	18	#5	5'-11"	L
h2(E)	18	#5	5'-11"	L
h3(E)	14	#5	46'-10"	—
h4(E)	5	#6	46'-10"	—
h5(E)	17	#4	19'-8"	—
h6(E)	11	#4	18'-11"	—
h7(E)	28	#4	18'-11"	—
n(E)	35	#6	16'-6"	—
n1(E)	6	#6	8'-3"	—
n2(E)	1	#6	16'-8"	—
p(E)	24	#7	36'-7"	—
p1(E)	6	#7	20'-8"	—
p2(E)	6	#7	20'-0"	—
s(E)	84	#5	18'-5"	—
s1(E)	36	#4	9'-5"	—
s2(E)	26	#4	8'-6"	—
s3(E)	2	#5	19'-9"	—
s4(E)	4	#4	6'-8"	—
u(E)	8	#6	13'-9"	—
v(E)	48	#5	3'-10"	L
v1(E)	48	#4	3'-2"	L
v2(E)	48	#5	8'-10"	—
v3(E)	48	#5	10'-2"	—
v4(E)	3	#6	10'-10"	—
v5(E)	37	#6	11'-5"	—
v6(E)	41	#6	11'-2"	—
Structure Excavation		Cu. Yd.	168.3	
Concrete Structures		Cu. Yd.	111.3	
Reinforcement Bars, Epoxy Coated		Pound	10190	
Furnishing Steel Piles, HP14x117		Foot	1800	
Driving Piles		Foot	1800	
Test Pile Steel, HP14x117		Each	1	
Pile Shoes		Each	31	
Concrete Encasement		Cu. Yd.	16.9	
Concrete Sealer		Sq. Ft.	1005.5	
Anchor Bolts, 1"		Each	12	

For details of bar splicers, see sheet 49 of 55.
 For details of piles & concrete encasement, see sheet 47 of 55.