

**Notes:**

Hatched area to be poured after superstructure false work has been removed. Quantity of concrete included with Concrete Superstructure.

Space reinforcement in cap to miss anchor bolts.

Pour steps monolithically with cap.

Quantity of concrete in end post included with Concrete Superstructure on sheet 20 of 55.

For Concrete Encasement details, see sheet 47 of 55.

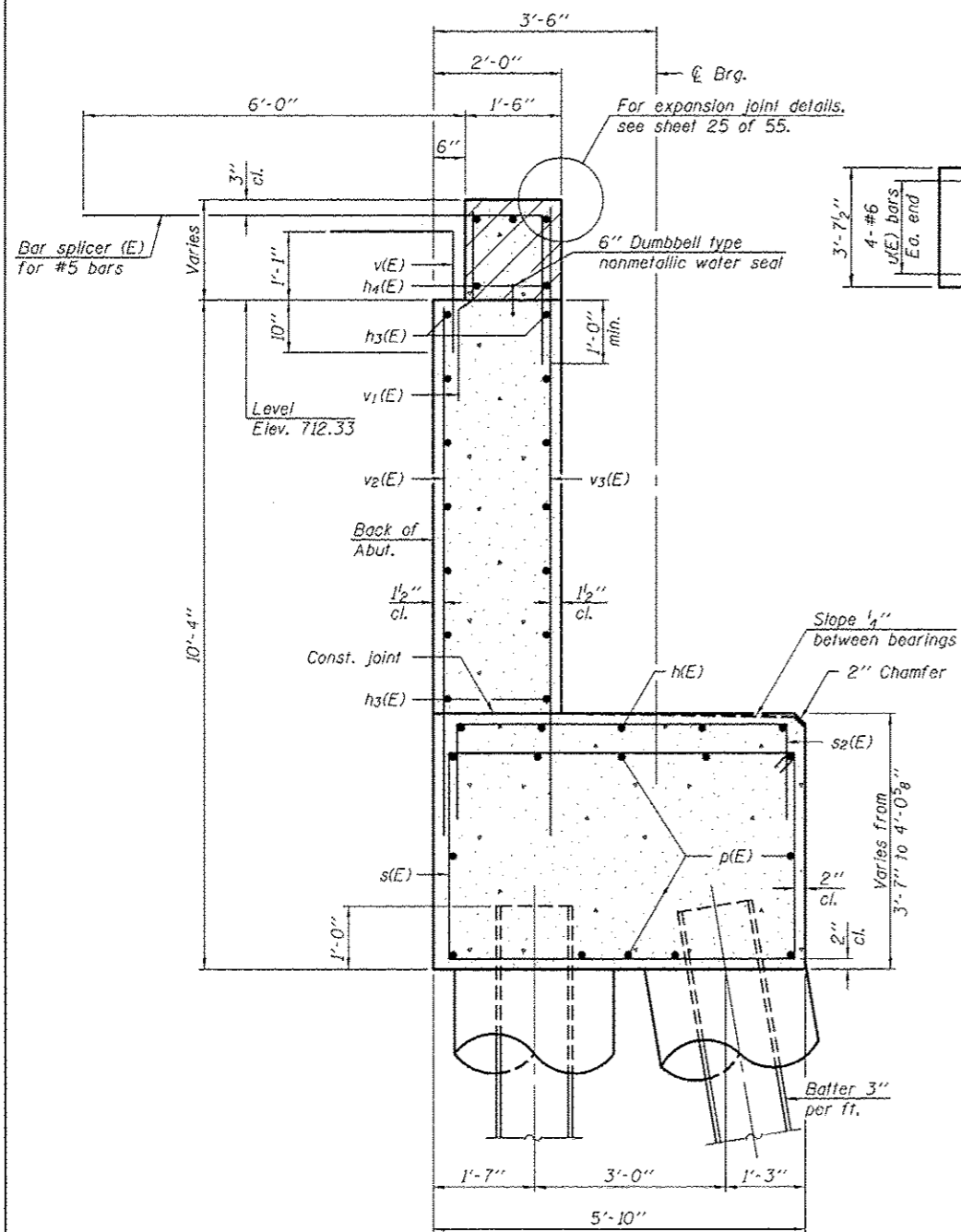
See sheet 46 of 55 for additional form liner details. Form

Liner shall be placed on outside face of wingwalls as shown

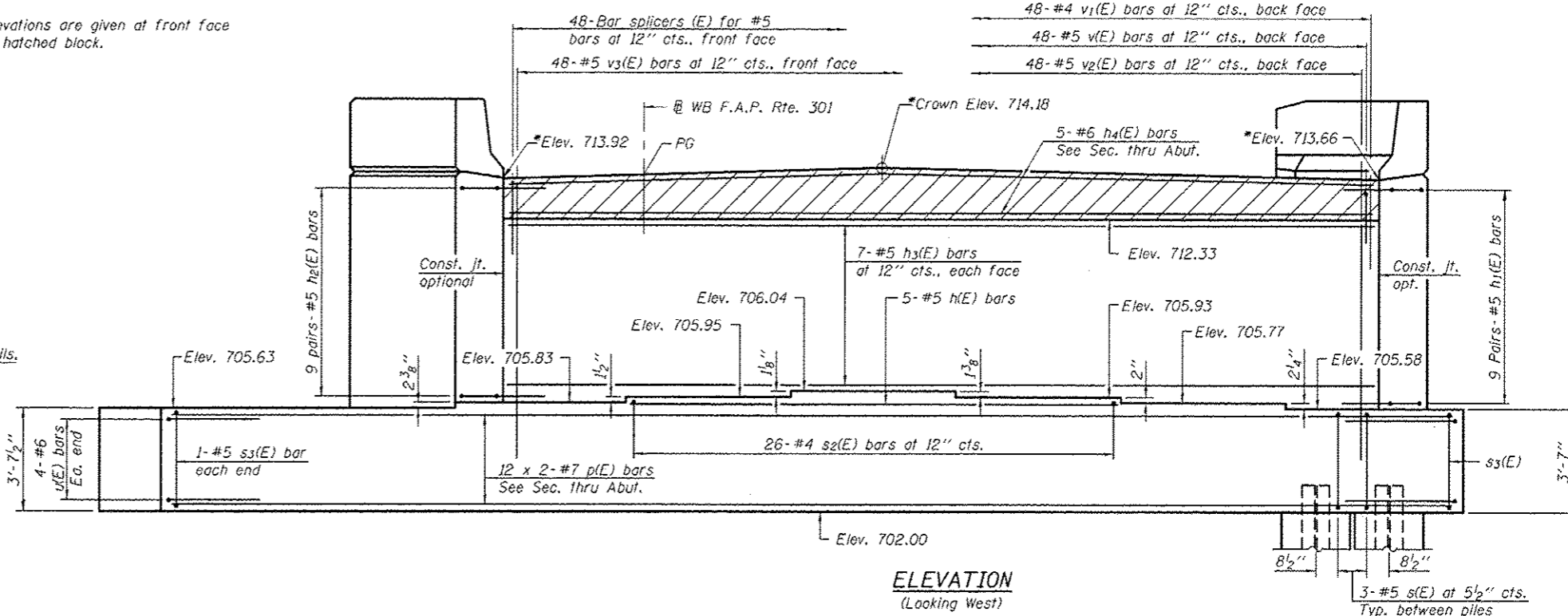
in the Wingwall Elevation shown below.

For bar splicer details, see sheet 49 of 55.

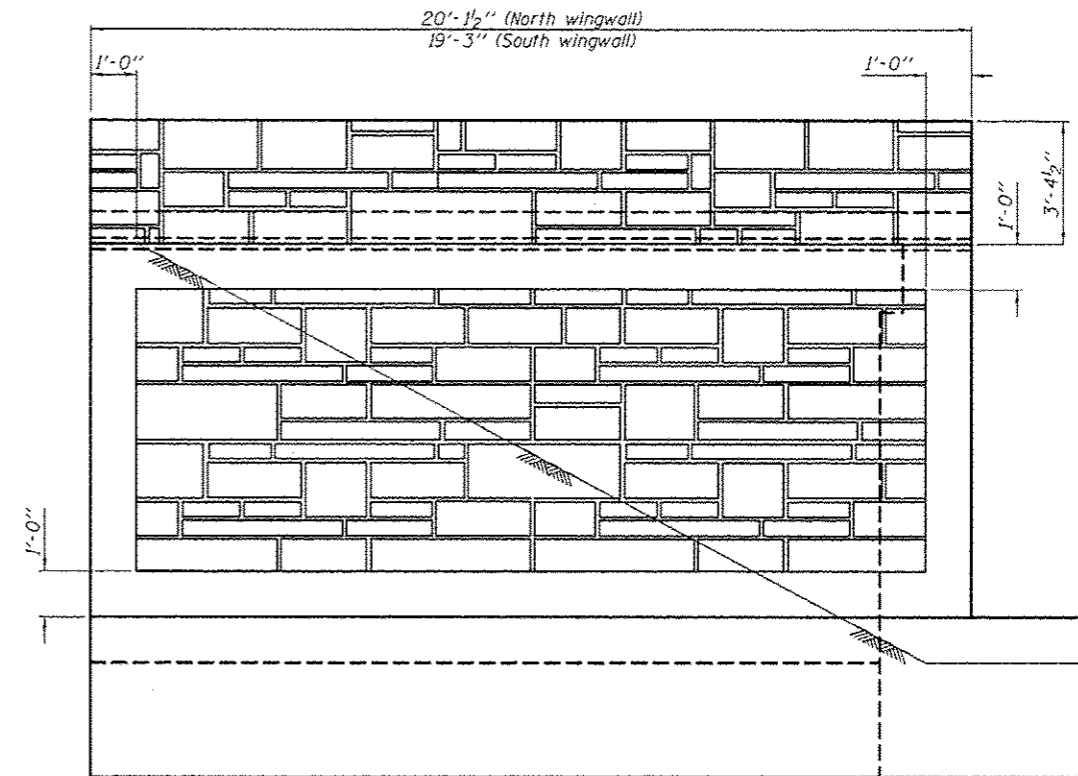
\*Elevations are given at front face of hatched block.



**SECTION THRU WEST ABUTMENT**



**ELEVATION (Looking West)**



**WINGWALL ELEVATION (South wingwall shown, North wingwall similar).**

**MIN. BAR LAP**  
#7 bar = 5'-2"

|                                |          |
|--------------------------------|----------|
| DESIGNED - NICHOLAS R. BARNETT | EXAMINED |
| CHECKED - AL-BARRAE R. SHEBIB  | PASSED   |
| DRAWN - H.T. DUONG / M.B.M.    |          |
| CHECKED - NRB/GRA              |          |

ACTING ENGINEER OF BRIDGE DESIGN  
  
 ACTING ENGINEER OF BRIDGES AND STRUCTURES

|                        |         |
|------------------------|---------|
| DATE - OCTOBER 4, 2013 | REVISED |
|                        | REVISED |

**STATE OF ILLINOIS DEPARTMENT OF TRANSPORTATION**

**WEST ABUTMENT (W.B.) - STAGE II CONSTRUCTION**  
**STRUCTURE NO. 101-0195 (E.B.) & 101-0196 (W.B.)**

SHEET NO. 38 OF 55 SHEETS

| F.A.P. RTE.               | SECTION     | COUNTY    | TOTAL SHEETS | SHEET NO.          |
|---------------------------|-------------|-----------|--------------|--------------------|
| 301                       | 3BR & 3BR-1 | WINNEBAGO | 290          | 137                |
|                           |             |           |              | CONTRACT NO. 64D19 |
| ILLINOIS FED. AID PROJECT |             |           |              |                    |