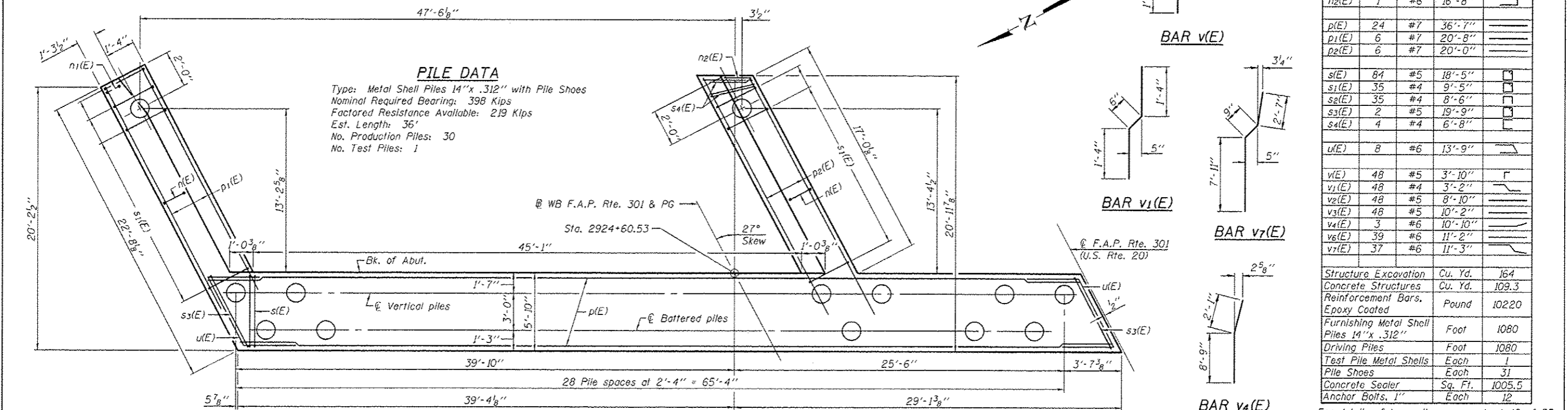


TOP VIEW



PLAN-PILE CAP

**PILE DATA**  
 Type: Metal Shell Piles 14"x .312" with Pile Shoes  
 Nominal Required Bearing: 398 Kips  
 Factored Resistance Available: 219 Kips  
 Est. Length: 36'  
 No. Production Piles: 30  
 No. Test Piles: 1

**EAST ABUTMENT (W.B.)  
 BILL OF MATERIAL**

Bar	No.	Size	Length	Shape
h1(E)	18	#5	5'-11"	L
h2(E)	18	#5	5'-11"	L
h3(E)	14	#5	46'-10"	L
h4(E)	5	#6	46'-10"	L
h6(E)	11	#4	18'-11"	L
h7(E)	28	#4	18'-11"	L
h8(E)	5	#5	34'-1"	L
h9(E)	14	#4	18'-0"	L
h10(E)	3	#4	18'-9"	L
n(E)	35	#6	16'-6"	L
n1(E)	6	#6	8'-3"	L
n2(E)	1	#6	16'-8"	L
p(E)	24	#7	36'-7"	L
p1(E)	6	#7	20'-8"	L
p2(E)	6	#7	20'-0"	L
s(E)	84	#5	18'-5"	L
s1(E)	35	#4	9'-5"	L
s2(E)	35	#4	8'-6"	L
s3(E)	2	#5	19'-9"	L
s4(E)	4	#4	6'-8"	L
u(E)	8	#6	13'-9"	L
v(E)	48	#5	3'-10"	L
v1(E)	48	#4	3'-2"	L
v2(E)	48	#5	8'-10"	L
v3(E)	48	#5	10'-2"	L
v4(E)	3	#6	10'-10"	L
v6(E)	39	#6	11'-2"	L
v7(E)	37	#6	11'-3"	L

Structure Excavation	Cu. Yd.	164
Concrete Structures	Cu. Yd.	109.3
Reinforcement Bars, Epoxy Coated	Pound	10220
Furnishing Metal Shell Piles 14"x .312"	Foot	1080
Driving Piles	Foot	1080
Test Pile Metal Shells	Each	1
Pile Shoes	Each	31
Concrete Sealer	Sq. Ft.	1005.5
Anchor Bolts, 1"	Each	12

For details of bar splicers, see sheet 49 of 55.  
 For details of piles & concrete encasement, see sheet 47 of 55.