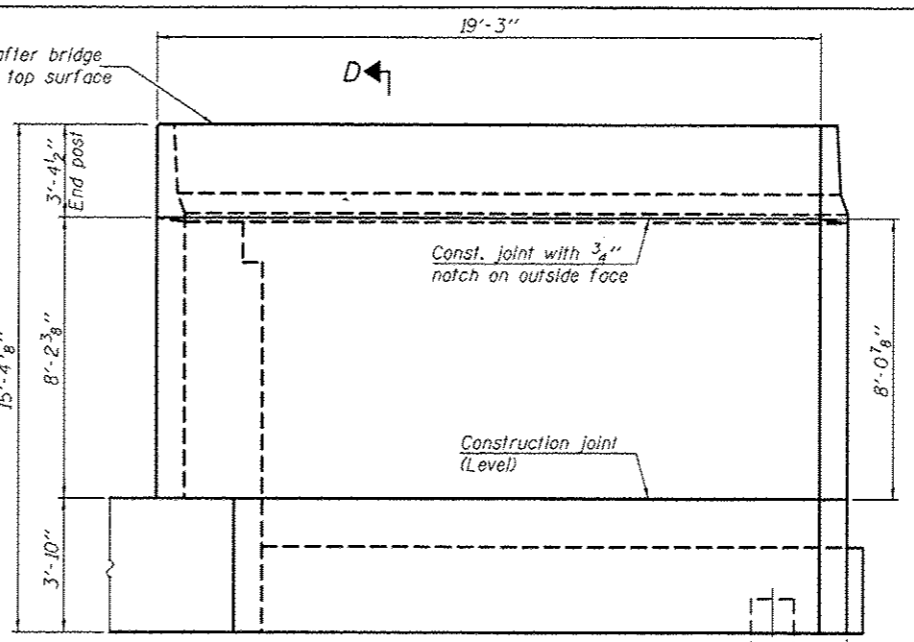
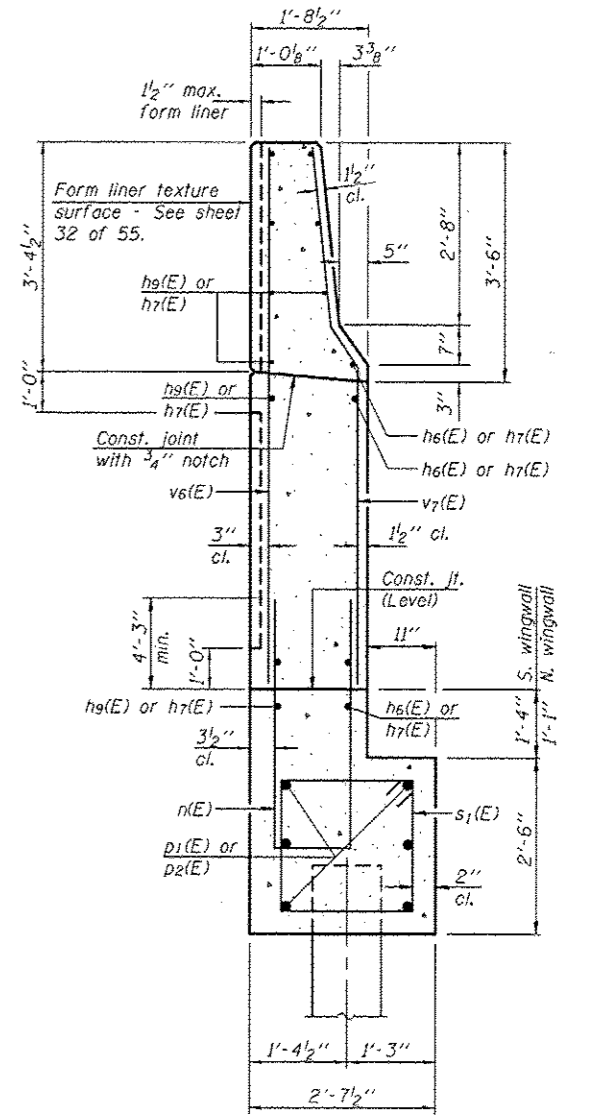


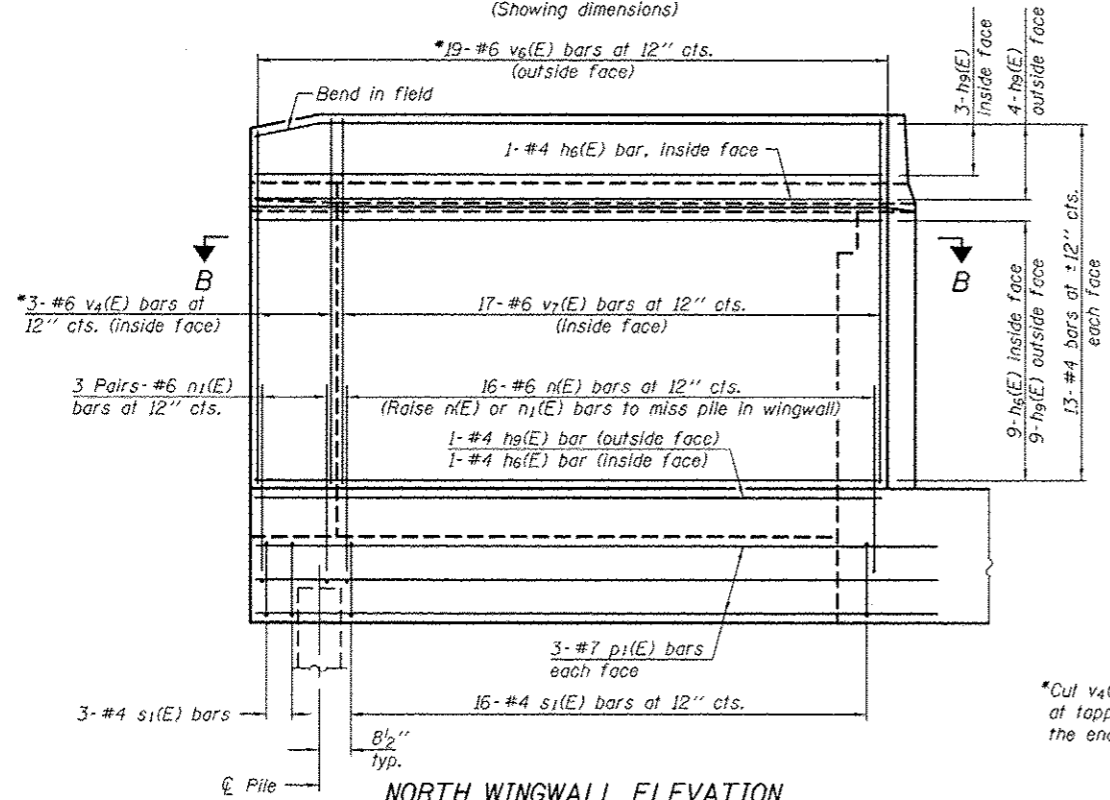
NORTH WINGWALL ELEVATION
(Showing dimensions)



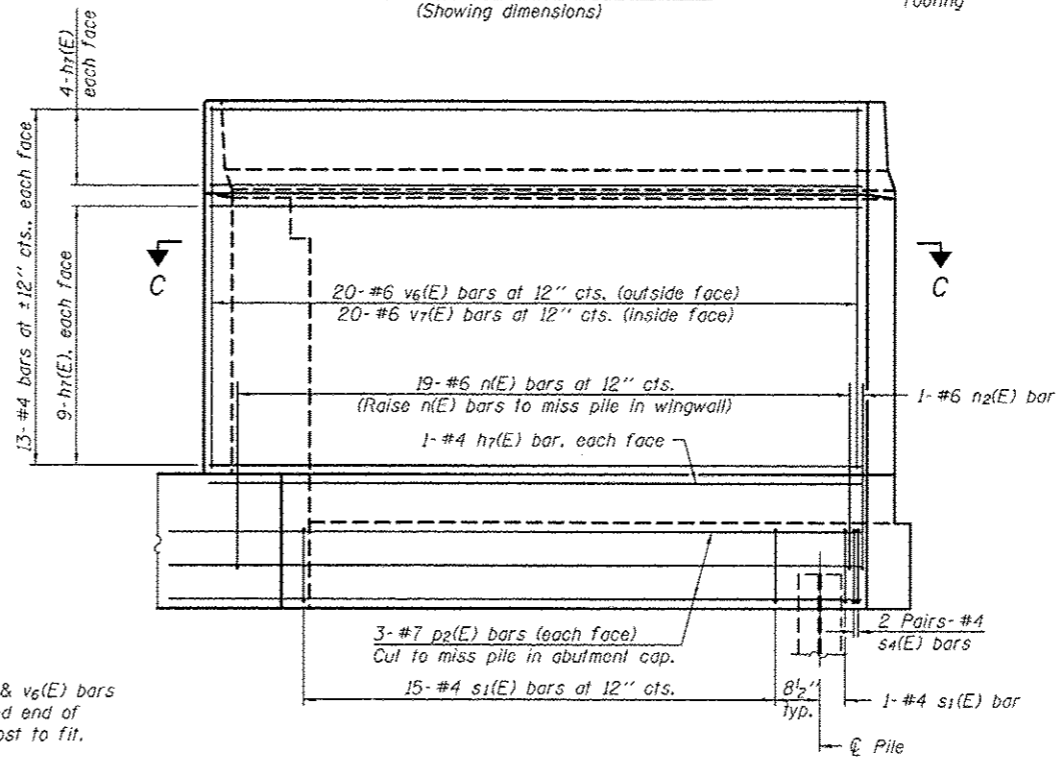
SOUTH WINGWALL ELEVATION
(Showing dimensions)



SECTION D-D

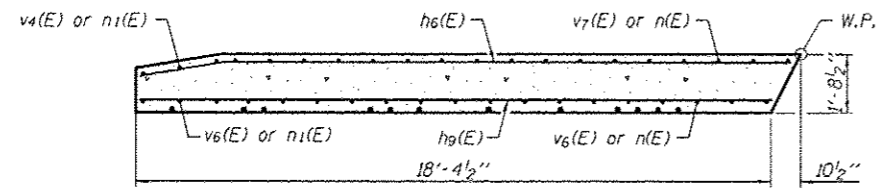


NORTH WINGWALL ELEVATION
(Showing reinforcement)

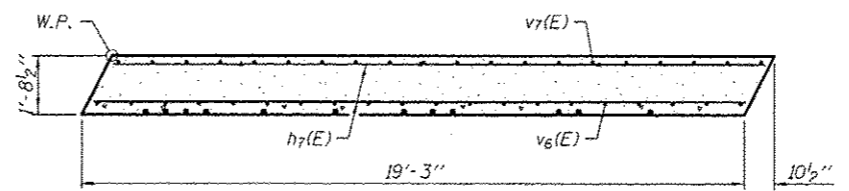


SOUTH WINGWALL ELEVATION
(Showing reinforcement)

*Cut v4(E) & v6(E) bars at tapered end of the end post to fit.



SECTION B-B



SECTION C-C

| | | | | | | | | | | |
|--------------------------------|---|------------------------|---|---|---------------------------|-------------|-----------|--------------|-----------|--|
| DESIGNED - NICHOLAS R. BARNETT | EXAMINED - <i>James F. [Signature]</i> | DATE - OCTOBER 4, 2013 | STATE OF ILLINOIS DEPARTMENT OF TRANSPORTATION | EAST ABUTMENT DETAILS (W.B.) - STAGE II CONSTRUCTION STRUCTURE NO. 101-0195 (E.B.) & 101-0196 (W.B.) | F.A.P. RTE. | SECTION | COUNTY | TOTAL SHEETS | SHEET NO. | |
| CHECKED - AL-BARRAE R. SHEBID | ACTING ENGINEER OF BRIDGE DESIGN | | | | 301 | 3BR & 3BR-1 | WINNEBAGO | 250 | 141 | |
| DRAWN - MICHAEL B. MOSSMAN | PASSSED - <i>Michael B. [Signature]</i> | REVISED | | | CONTRACT NO. 64D19 | | | | | |
| CHECKED - NRB/GRA | ACTING ENGINEER OF BRIDGES AND STRUCTURES | REVISED | | | SHEET NO. 42 OF 55 SHEETS | | | | | |
| | | | | | ILLINOIS FED. AID PROJECT | | | | | |