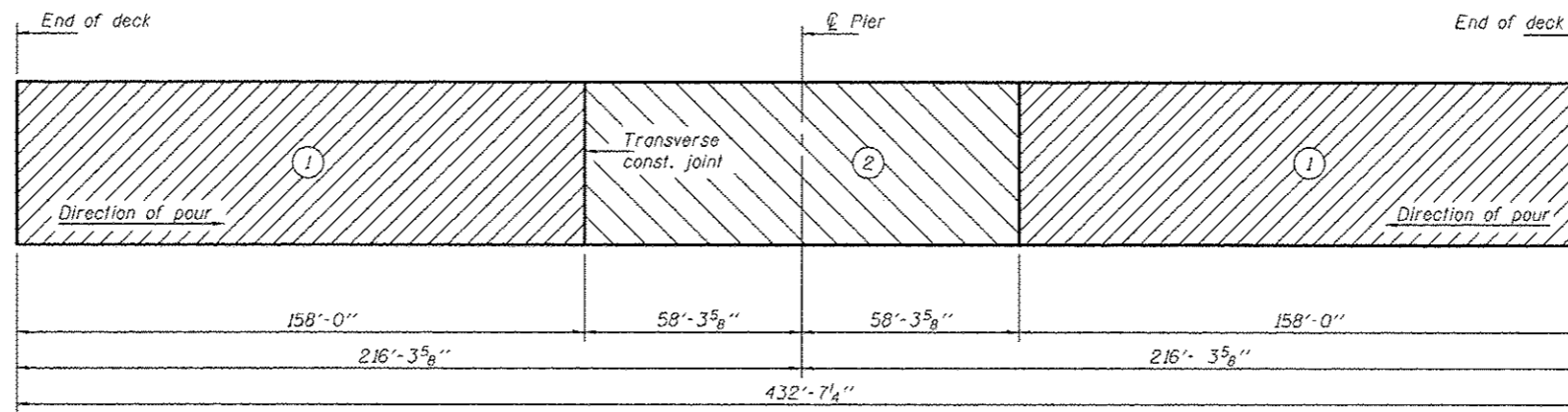


FOOTING LAYOUT



DECK POURING SEQUENCE

DESIGNED - Nick R. Barnett
 CHECKED - Frank W. Sharpe
 DRAWN - h.t. duong
 CHECKED - NRB/FWS/GRA

EXAMINED
 PASSED
 ACTING ENGINEER OF BRIDGES AND STRUCTURES

DATE - OCTOBER 4, 2013
 REVISED
 REVISED

STATE OF ILLINOIS
 DEPARTMENT OF TRANSPORTATION

FOOTING LAYOUT
 STRUCTURE NO. 101-0197 (E.B.) & 101-0198 (W.B.)

SHEET NO. 5 OF 50 SHEETS

F.A.P. RTE.	SECTION	COUNTY	TOTAL SHEETS	SHEET NO.
301	3BR & 3BR-1	WINNEBAGO	290	180
			CONTRACT NO. 64D19	
ILLINOIS FED. AID PROJECT				