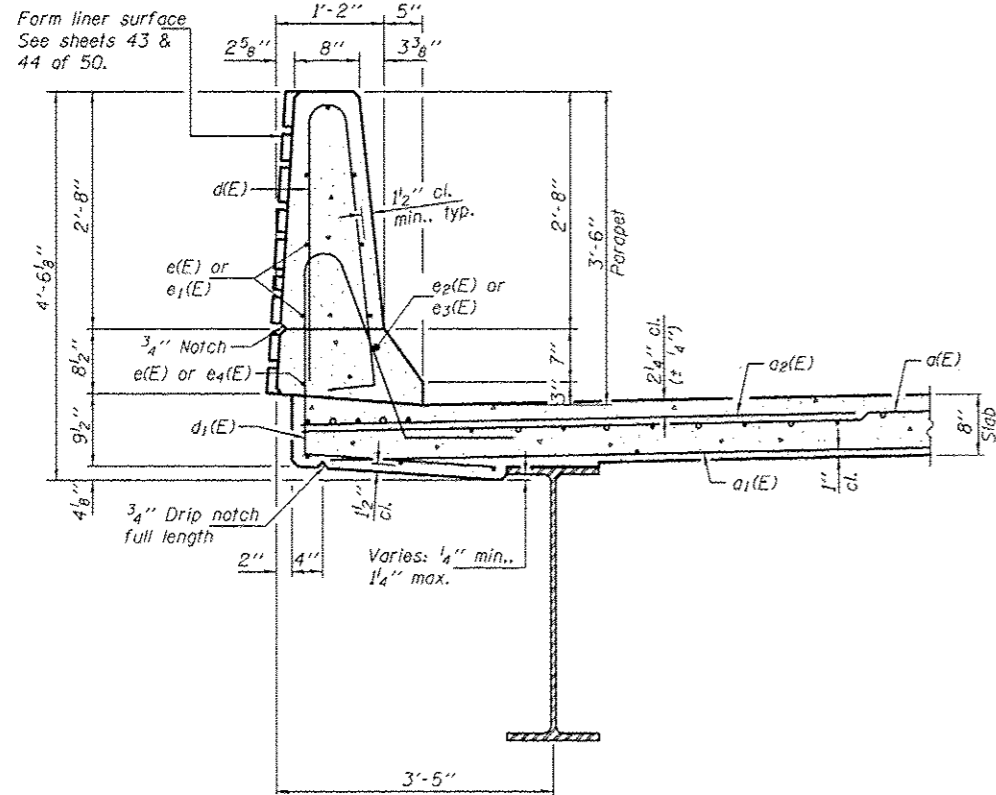
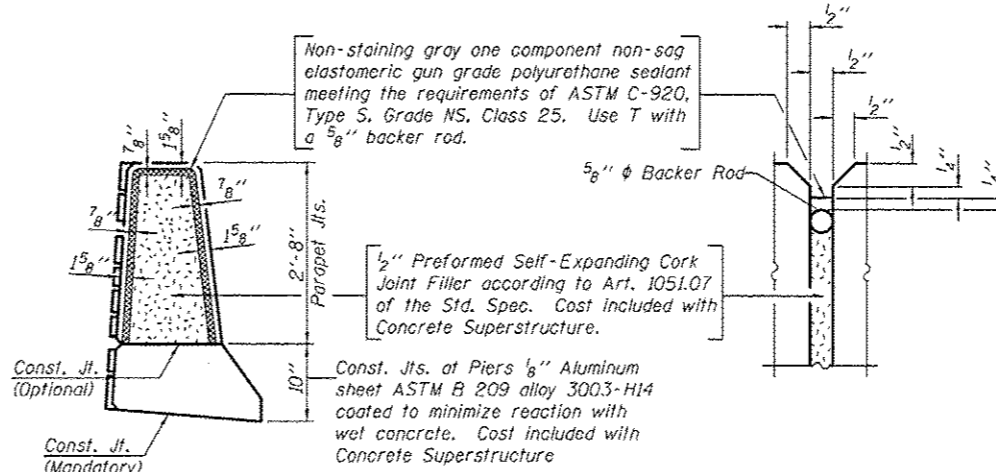


INSIDE ELEVATION OF NORTH PARAPET (E.B.)

(Looking North - South parapet similar)



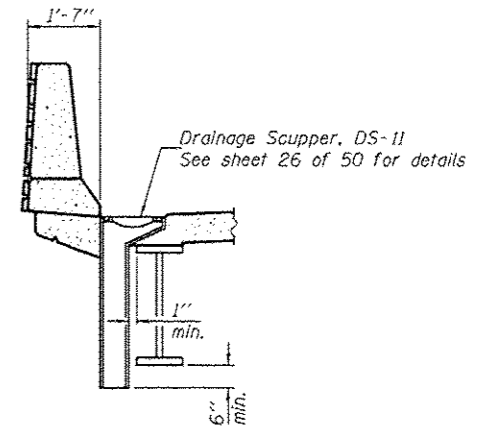
SECTION THRU PARAPET



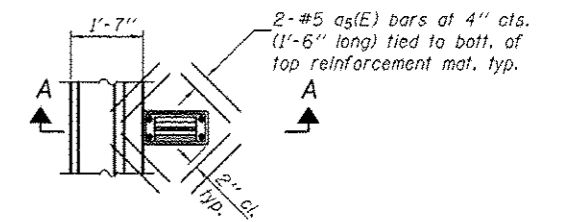
PARAPET JOINT DETAILS

MIN. BAR LAP

(Parapet)
 #4 bar = 2'-0"
 #8 bar = 5'-2"



SECTION A-A



PLAN

Note:
 Cut longitudinal reinforcement to clear drainage scuppers.

DESIGNED - Nick R. Barnett	EXAMINED - <i>Joanne F. Schuff</i>	DATE - OCTOBER 4, 2013
CHECKED - Frank W. Sharpe	ACTING ENGINEER OF BRIDGE DESIGN	
DRAWN - h.t. duong	PASSED - <i>Carl Hays</i>	REVISED -
CHECKED - NRB/FWS/GRA	ACTING ENGINEER OF BRIDGES AND STRUCTURES	REVISED -

STATE OF ILLINOIS
 DEPARTMENT OF TRANSPORTATION

SUPERSTRUCTURE DETAILS
 STRUCTURE NO. 101-0197 (E.B.) & 101-0198 (W.B.)

SHEET NO. 19 OF 50 SHEETS

F.A.P. RTE.	SECTION	COUNTY	TOTAL SHEETS	SHEET NO.
301	3BR & 3BR-1	WINNEBAGO	290	194
			CONTRACT NO. 64D19	
ILLINOIS FED. AID PROJECT				