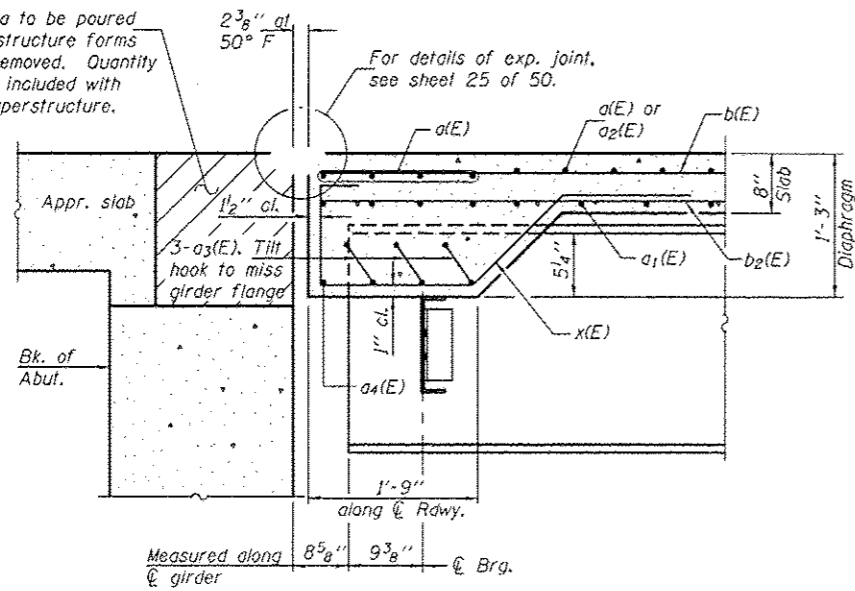
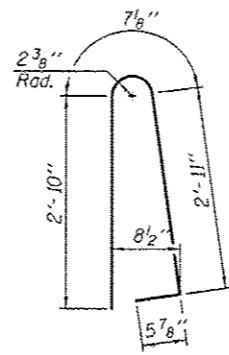


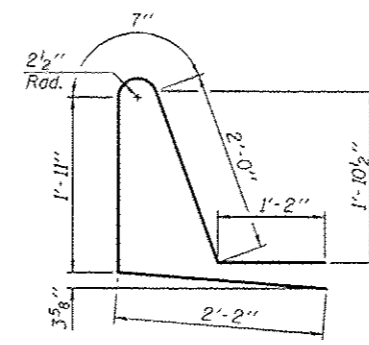
Hatched area to be poured after superstructure forms have been removed. Quantity of concrete included with Concrete Superstructure.



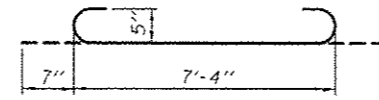
SECTION A-A



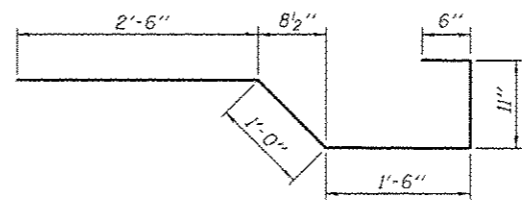
BAR d(E)



BAR d1(E)



a3(E) BAR



BAR x(E)

TWO SUPERSTRUCTURES  
(E.B. & W.B.)  
BILL OF MATERIAL

Bar	No.	Size	Length	Shape
a(E)	1888	#5	44'-7"	—
a1(E)	1154	#5	42'-10"	—
a2(E)	3776	#6	6'-6"	—
a3(E)	60	#5	8'-6"	—
a4(E)	4	#5	38'-0"	—
a5(E)	64	#5	1'-6"	—
b(E)	1344	#5	33'-11"	—
b1(E)	270	#6	42'-0"	—
b2(E)	1230	#5	31'-11"	—
c(E)	1892	#5	6'-10"	—
d1(E)	1892	#5	7'-10"	—
e1(E)	568	#4	19'-9"	—
e1(E)	56	#4	16'-0"	—
e2(E)	56	#8	32'-6"	—
e3(E)	8	#8	19'-9"	—
e4(E)	56	#4	29'-9"	—
x(E)	140	#5	6'-5"	—
Reinforcement Bars, Epoxy Coated			Pound	326890
Concrete Superstructure			Cu. Yds.	1286.9

Bars indicated thus 1 x 2-#8 etc. indicates 1 line of bars with 2 lengths per line.

DESIGNED - Nick R. Barnett	EXAMINED - <i>Joanna F. Schuff</i> ACTING ENGINEER OF BRIDGE DESIGN	DATE - OCTOBER 4, 2013
CHECKED - Frank W. Sharpe	PASSED - <i>Carl Perry</i> ACTING ENGINEER OF BRIDGES AND STRUCTURES	REVISED -
DRAWN - h.t. duong		REVISED -
CHECKED - NRB/FWS/GRA		

STATE OF ILLINOIS  
DEPARTMENT OF TRANSPORTATION

SUPERSTRUCTURE DETAILS  
STRUCTURE NO. 101-0197 (E.B.) & 101-0198 (W.B.)

F.A.P. RTE. 301	SECTION 3BR & 3BR-1	COUNTY WINNEBAGO	TOTAL SHEETS 290	SHEET NO. 195
			CONTRACT NO. 64D19	
ILLINOIS FED. AID PROJECT				