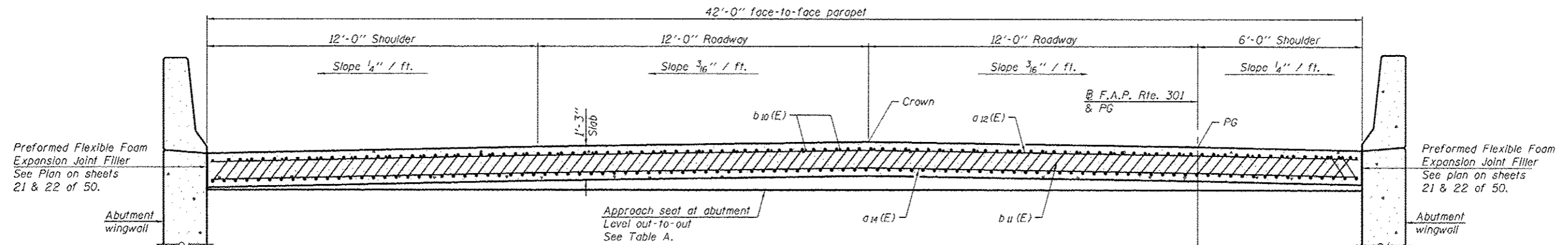
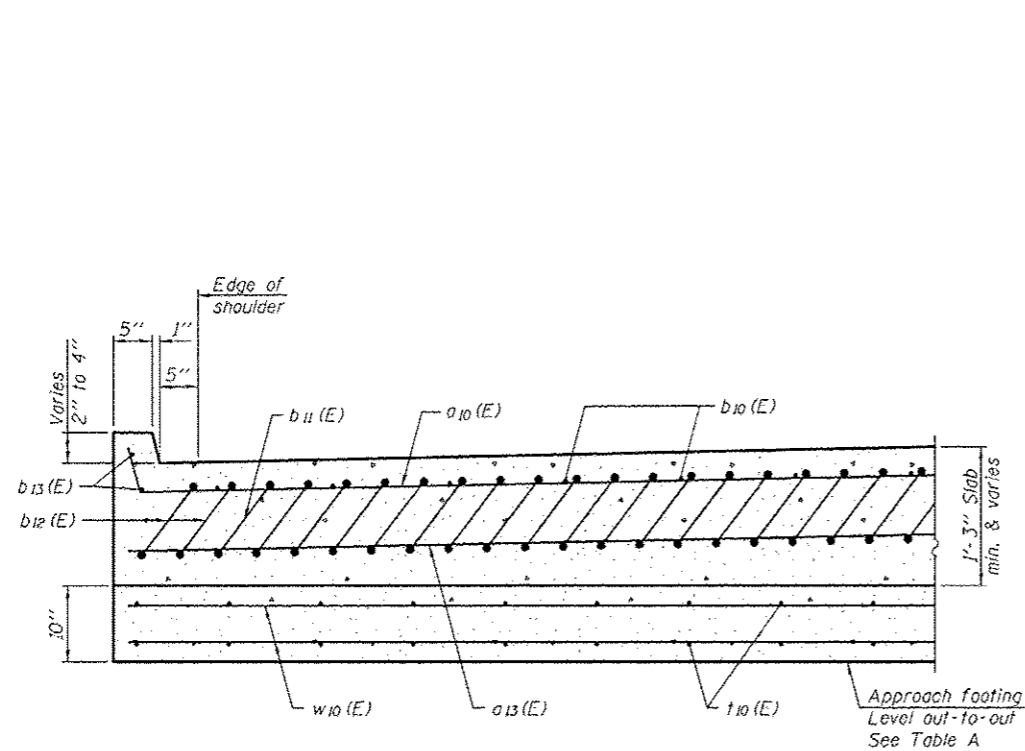


TABLE A

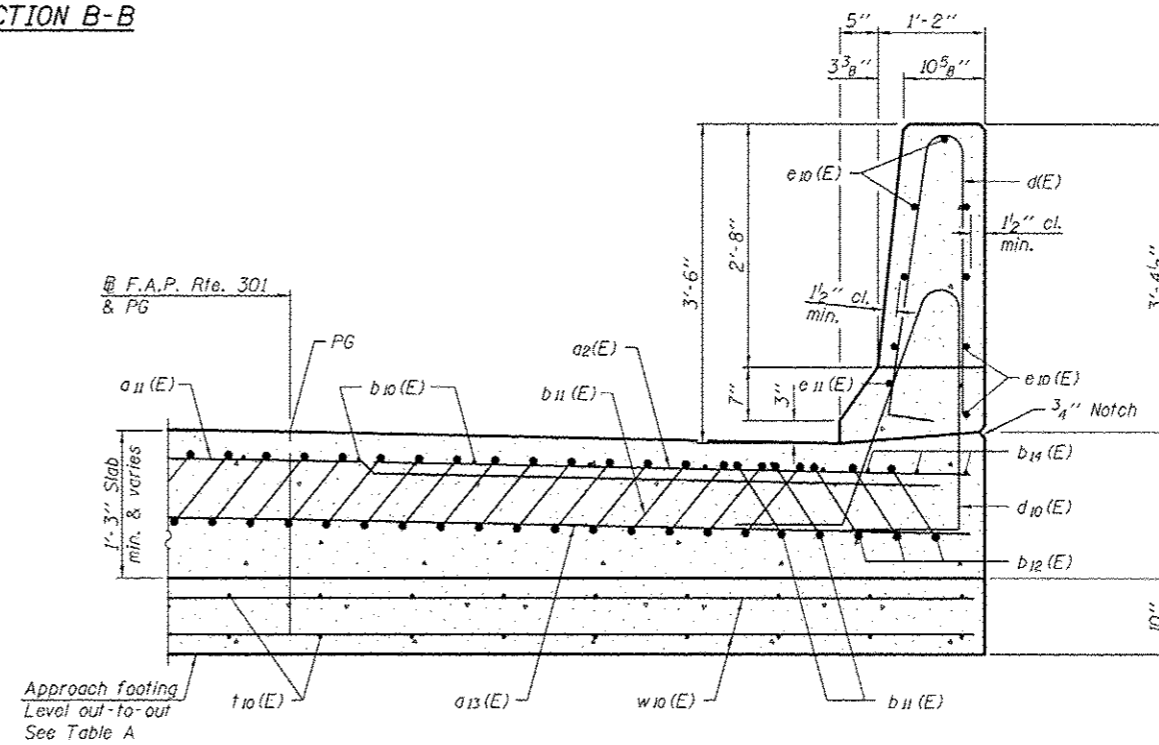
Location	Approach seat Elev. at abutment	Bottom of Footing Elev.
West Approach (Westbound)	709.40	708.47
East Approach (Westbound)	711.52	710.90
West Approach (Eastbound)	709.40	708.47
East Approach (Eastbound)	711.52	710.90



SECTION B-B



SECTION C-C



SECTION D-D

DESIGNED - NICHOLAS R. BARNETT
 CHECKED - FRANK W. SHARPE
 DRAWN - MICHAEL B. MOSSMAN
 CHECKED - NRB/FWS/GRA

EXAMINED - *Joey F. [Signature]*
 ACTING ENGINEER OF BRIDGE DESIGN
 PASSED - *[Signature]*
 ACTING ENGINEER OF BRIDGES AND STRUCTURES

DATE - OCTOBER 4, 2013
 REVISED

**STATE OF ILLINOIS
 DEPARTMENT OF TRANSPORTATION**

**BRIDGE APPROACH SLAB DETAILS
 STRUCTURE NO. 101 - 0197 (EB) & 101 - 0198 (WB)**

SHEET NO. 23 OF 50 SHEETS

F.A.P. RTE.	SECTION	COUNTY	TOTAL SHEETS	SHEET NO.
301	3BR & 3BR-1	WINNEBAGO	290	198
				CONTRACT NO. 64D19
ILLINOIS FED. AID PROJECT				