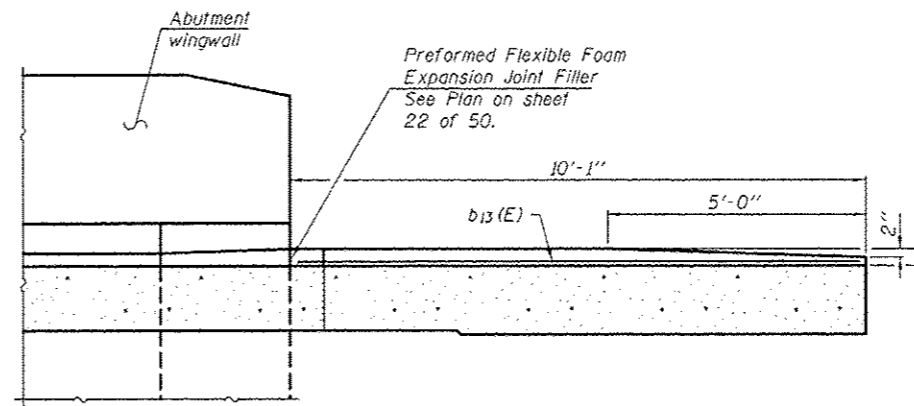
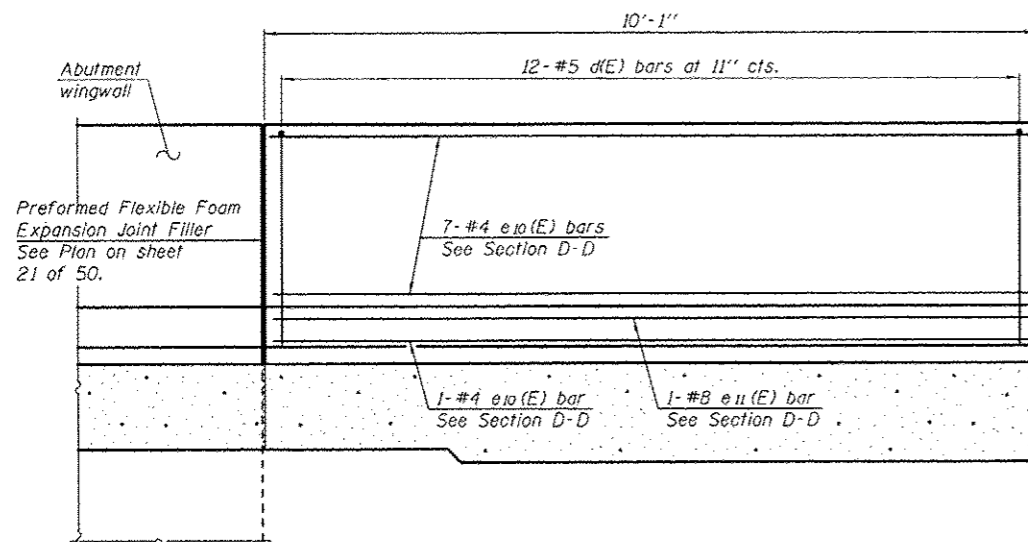


VIEW E-E
(Showing curb reinforcement)

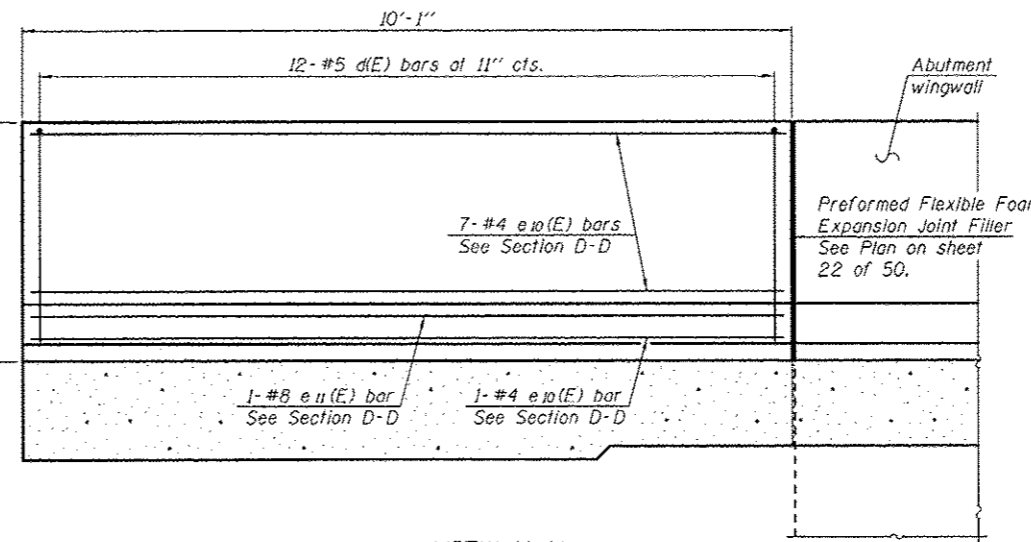


VIEW G-G
(Showing curb reinforcement)

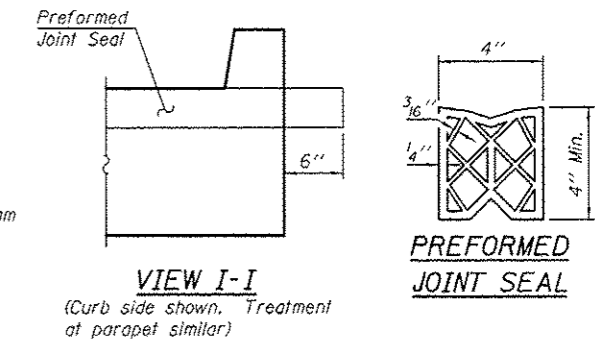
Notes:
 Approach slab and parapet concrete shall be paid for as Concrete Superstructure.
 Approach footing concrete shall be paid for as Concrete Structures.
 Reinforcement shall be paid for as Reinforcement Bars, Epoxy Coated.
 For v(E) bar details, see sheets 31 & 32 of 50.
 The approach footing maximum applied service bearing pressure (Qmax) = 2.0 ksf.
 For bar splicer details, see sheet 46 of 50.
 Cost of excavation for approach footing included with Concrete Structures.
 For Granular Backfill and drainage treatment details, see sheet 2 of 50.
 The joint opening shall be determined per Article 520.04. The minimum dimension shall be 1 1/2" for installation purposes.



VIEW F-F
(Showing parapet reinforcement)



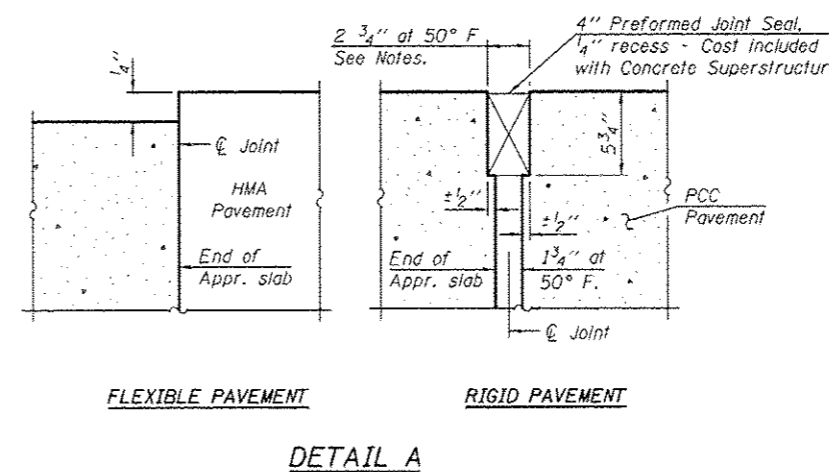
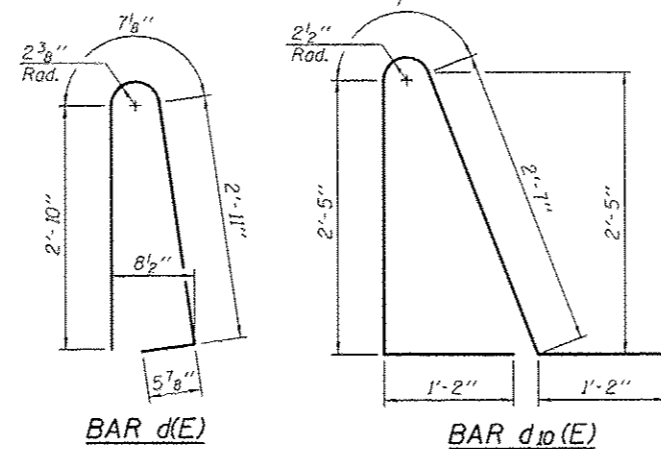
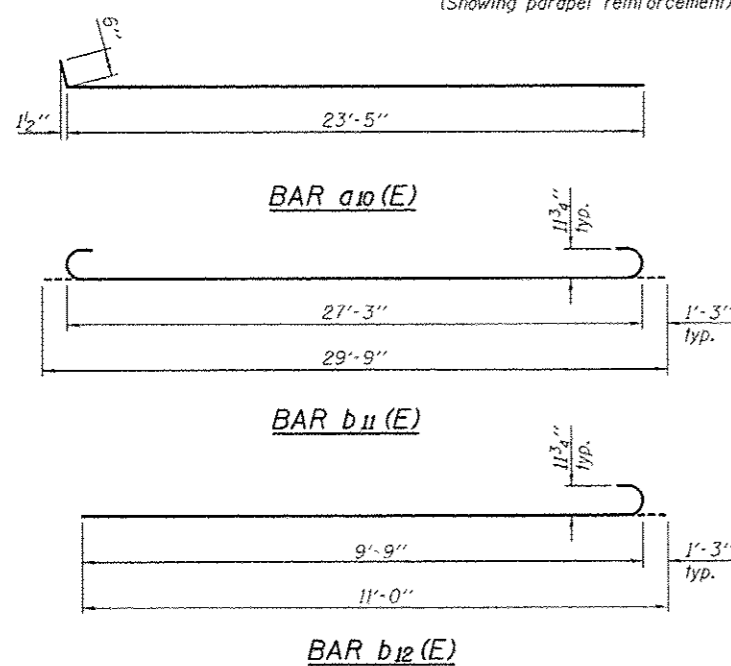
VIEW H-H
(Showing parapet reinforcement)



VIEW I-I
(Curb side shown. Treatment at parapet similar)

**FOUR APPROACHES
BILL OF MATERIAL**

Bar	No.	Size	Length	Shape
a2(E)	36	#6	6'-6"	—
a10(E)	44	#4	23'-11"	—
a11(E)	44	#4	23'-5"	—
a12(E)	112	#4	22'-2"	—
a13(E)	80	#5	44'-2"	—
a14(E)	104	#5	41'-8"	—
b10(E)	136	#4	29'-8"	—
b11(E)	404	#9	29'-9"	—
b12(E)	20	#9	11'-0"	—
b13(E)	8	#4	9'-9"	—
b14(E)	12	#5	9'-9"	—
d(E)	48	#5	6'-10"	—
d10(E)	48	#5	7'-11"	—
e10(E)	32	#4	9'-9"	—
e11(E)	4	#8	9'-9"	—
110(E)	360	#4	9'-8"	—
w10(E)	160	#5	44'-2"	—
Concrete Superstructure		Cu. Yd.	255.0	
Concrete Structures		Cu. Yd.	54.7	
Reinforcement Bars, Epoxy Coated		Pound	66840	



DETAIL A
FLEXIBLE PAVEMENT RIGID PAVEMENT