

Notes:

Hatched area to be poured after superstructure false work has been removed. Quantity of concrete included with Concrete Superstructure.

Space reinforcement in cap to miss anchor bolts. Pour steps monolithically with cap.

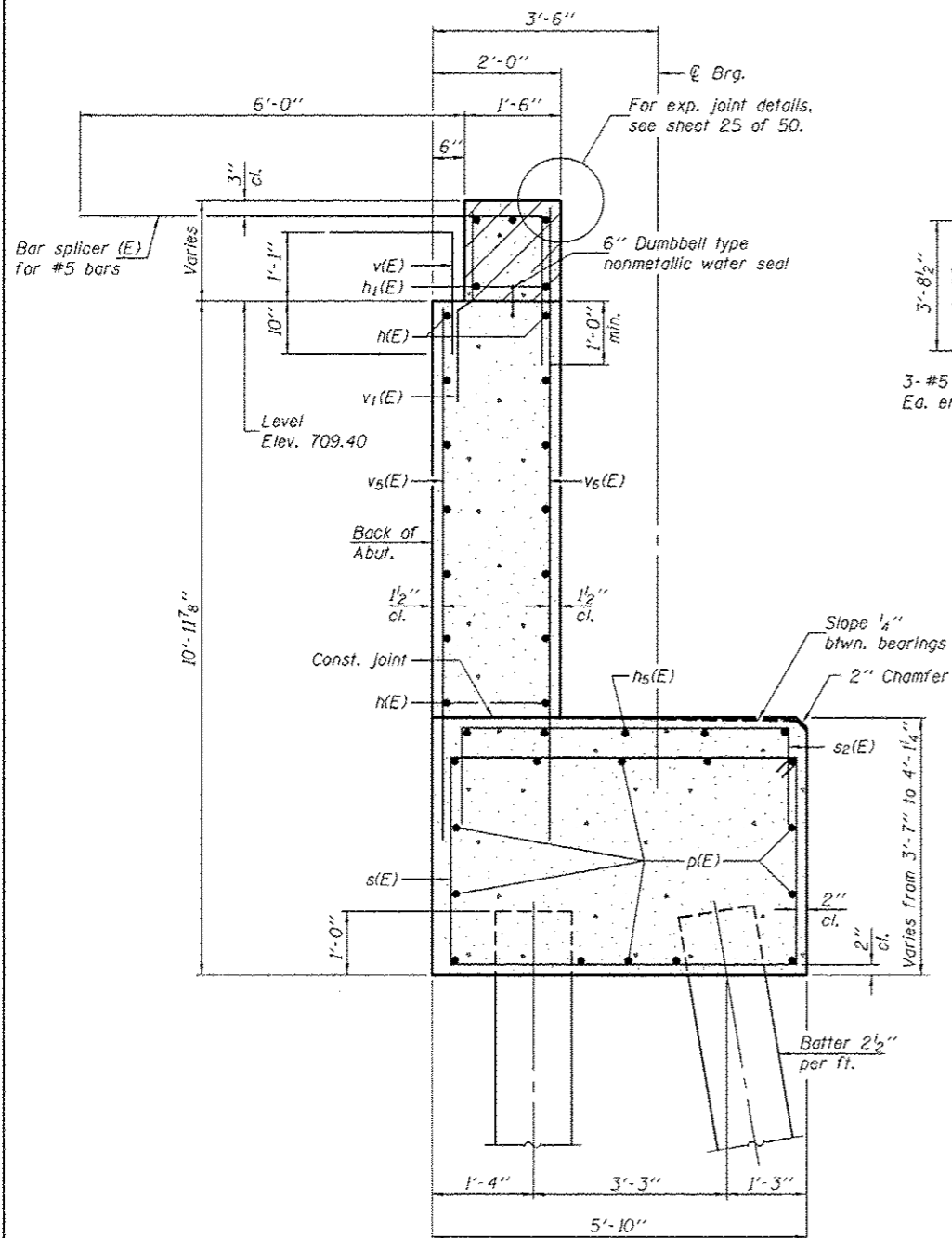
Quantity of concrete in end past included with Concrete Superstructure on sheet 20 of 50.

See sheet 44 of 50 for additional form liner details.

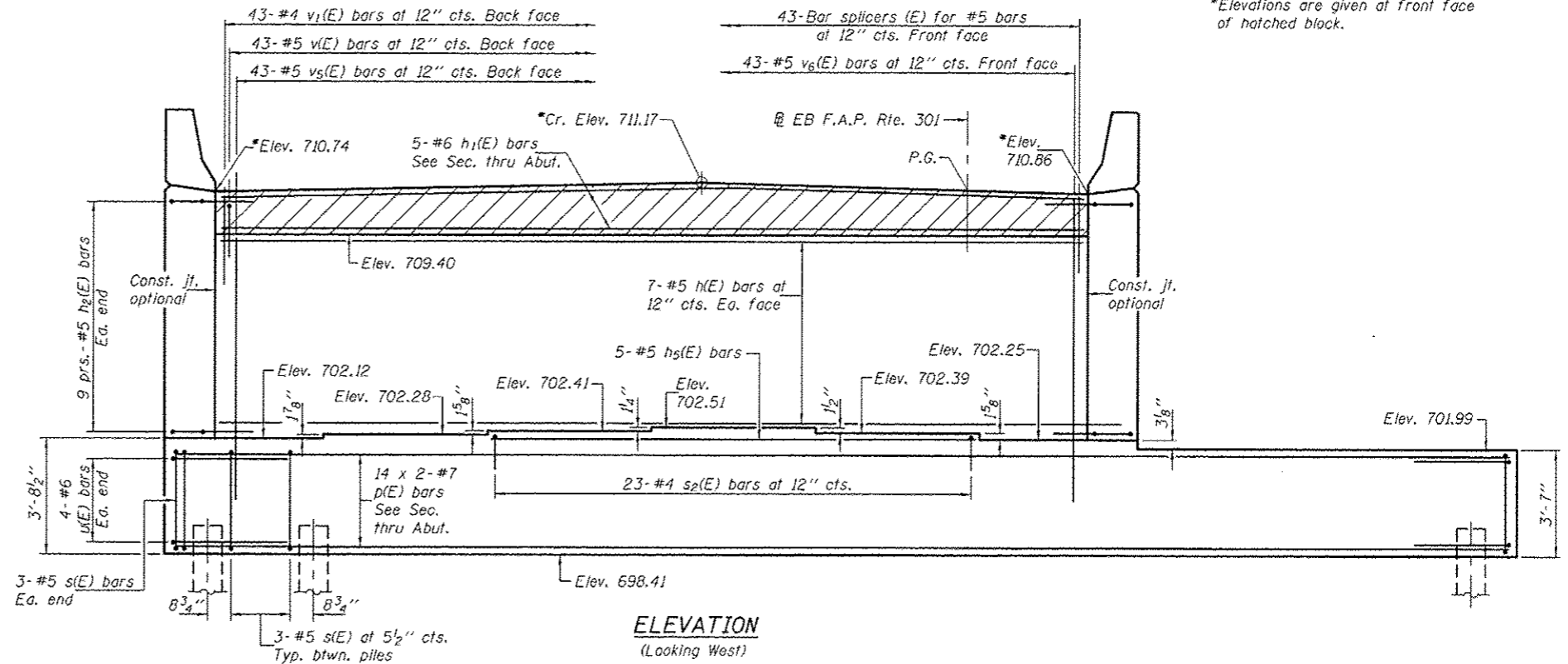
Form liner shall be placed on outside face of wingwalls as shown in the wingwall elevation shown below.

For bar splicer details, see sheet 46 of 50.

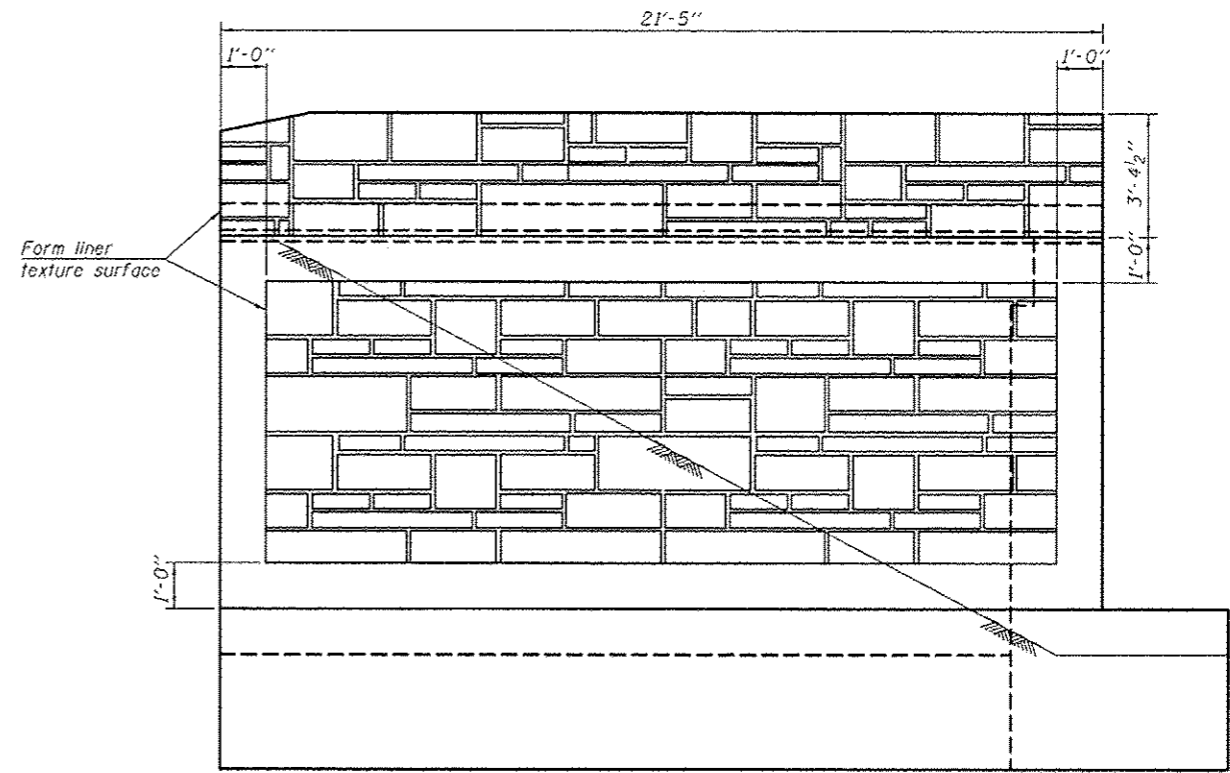
*Elevations are given at front face of hatched block.



SECTION THRU WEST ABUTMENT



ELEVATION
(Looking West)



WINGWALL ELEVATION
(South wingwall shown, North wingwall similar).

MIN. BAR LAP
#7 bar = 5'-2"

DESIGNED - Nick R. Barnett	EXAMINED - <i>Joanne F. Jaffe</i>
CHECKED - Frank W. Sharpe	ACTING ENGINEER OF BRIDGE DESIGN
DRAWN - h.t. duong	PASSED - <i>Carl</i>
CHECKED - NBB/FWS/GRA	ACTING ENGINEER OF BRIDGES AND STRUCTURES

DATE - OCTOBER 4, 2013	REVISED -
REVISED -	REVISED -

STATE OF ILLINOIS
DEPARTMENT OF TRANSPORTATION

WEST ABUTMENT (E.B.) - STAGE I CONSTRUCTION
STRUCTURE NO. 101-0197 (E.B.) & 101-0198 (W.B.)

F.A.P. RTE. 301	SECTION 3BR & 3BR-1	COUNTY WINNEBAGO	TOTAL SHEETS 290	SHEET NO. 207
SHEET NO. 32 OF 50 SHEETS			CONTRACT NO. 64D19	
ILLINOIS FED. AID PROJECT				