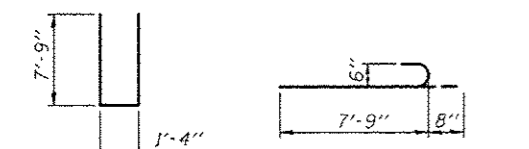
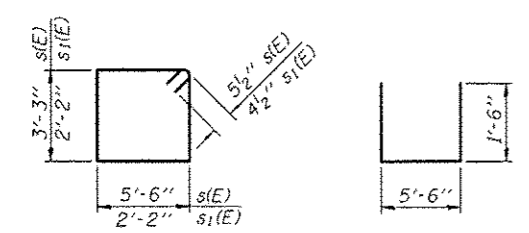


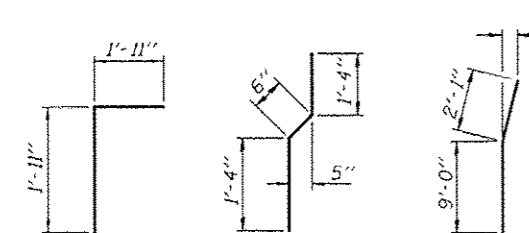
BAR h₂(E) BAR h₄(E)



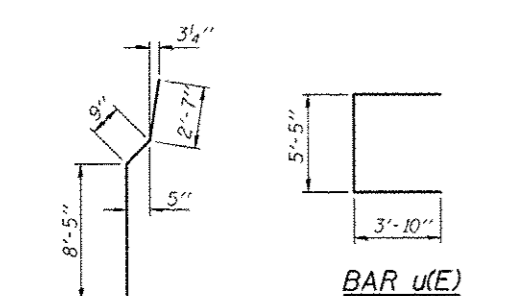
BAR n(E) BAR n₁(E)



BARS s(E) & s₁(E) BAR s₂(E)



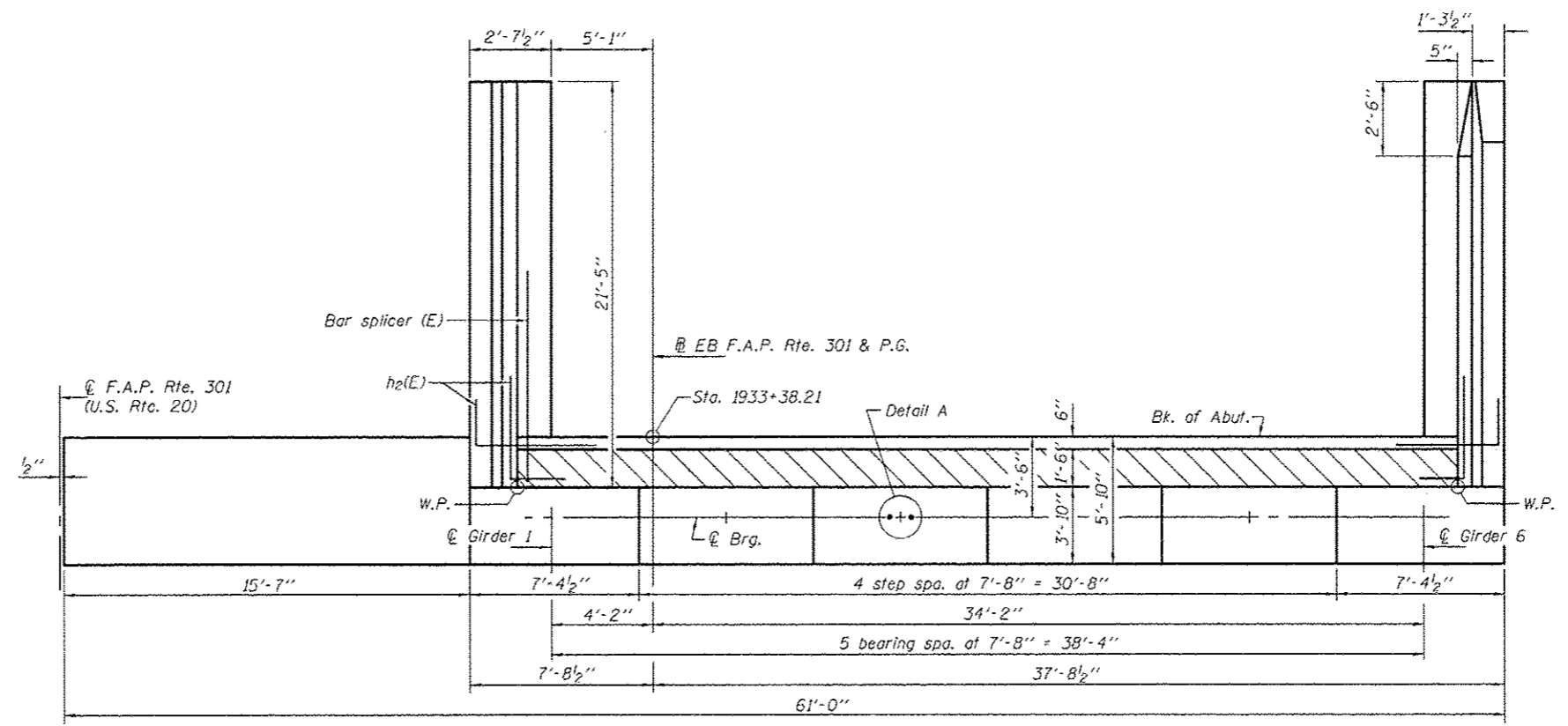
BAR v(E) BAR v₁(E) BAR v₃(E)



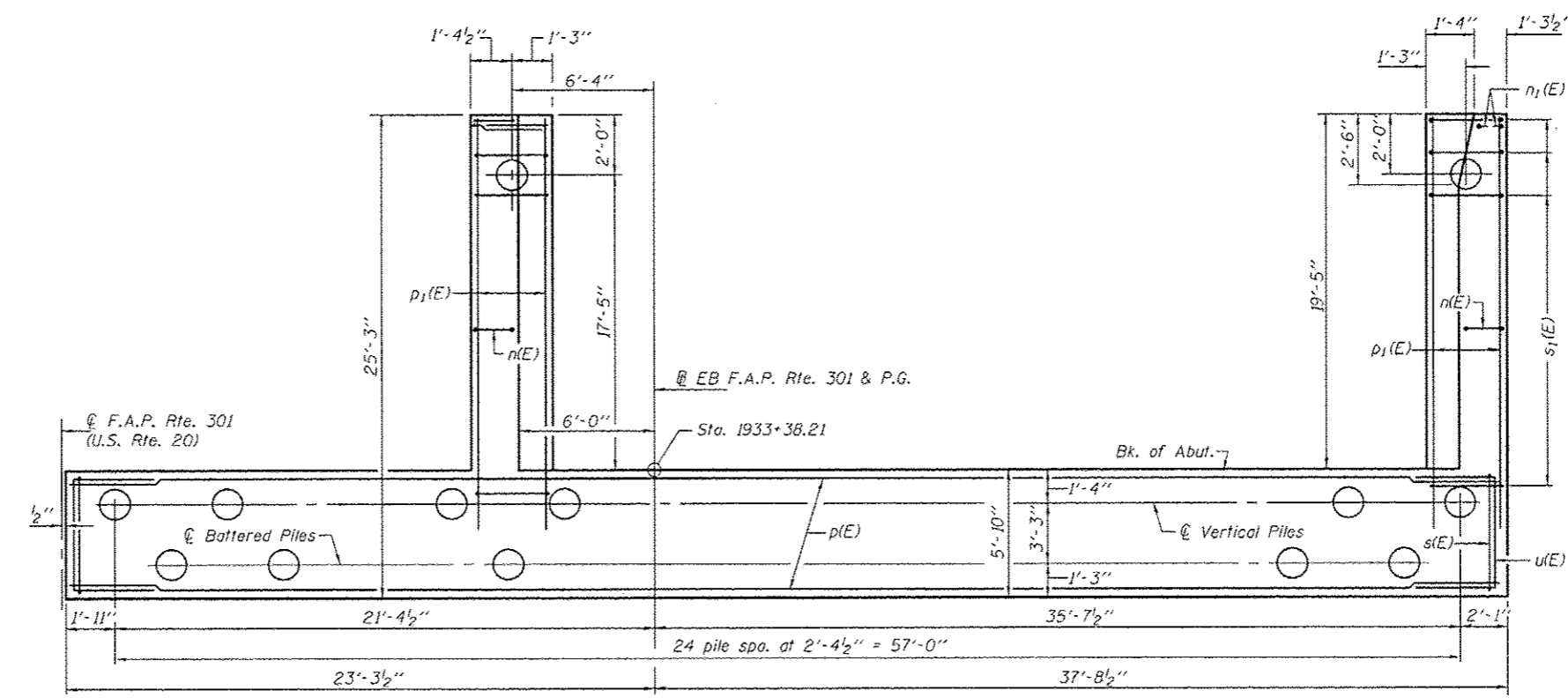
BAR v₄(E) BAR u(E)

PILE DATA

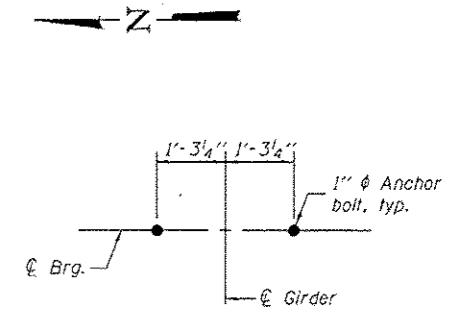
Type: Metal Shells 14"x .312" with Pile Shoes
 Nominal Required Bearing: 452 Kips
 Factored Resistance Available: 249 Kips
 Est. Length: 56'
 No. Production Piles: 26
 No. Test Piles: 1



TOP VIEW



PLAN-PILE CAP



DETAIL A

**EAST ABUTMENT (E.B.)
BILL OF MATERIAL**

Bar	No.	Size	Length	Shape
h(E)	14	#5	41'-8"	—
h ₁ (E)	5	#6	41'-8"	—
h ₂ (E)	36	#5	5'-3"	—
h ₃ (E)	42	#4	21'-1"	—
h ₄ (E)	14	#4	21'-2"	—
h ₅ (E)	5	#5	22'-8"	—
n(E)	41	#6	16'-10"	—
n ₁ (E)	6	#6	8'-5"	—
p(E)	28	#7	32'-11"	—
p ₁ (E)	12	#7	23'-2"	—
s(E)	78	#5	18'-5"	—
s ₁ (E)	42	#4	9'-5"	—
s ₂ (E)	23	#4	8'-6"	—
u(E)	8	#6	13'-1"	—
v(E)	43	#5	3'-10"	—
v ₁ (E)	43	#4	3'-2"	—
v ₂ (E)	44	#6	11'-8"	—
v ₃ (E)	3	#6	11'-1"	—
v ₄ (E)	41	#6	11'-9"	—
v ₅ (E)	43	#5	9'-2"	—
v ₆ (E)	43	#5	10'-6"	—

Structure Excavation	Cu. Yd.	165
Concrete Structures	Cu. Yd.	108.8
Reinforcement Bars, Epoxy Coated	Pound	10330
Furnishing Metal Shell Piles 14"x .312"	Foot	1456
Driving Piles	Foot	1456
Test Pile, Metal Shells	Each	1
Pile Shoes	Each	27
Concrete Sealer	Sq. Ft.	894
Anchor Bolts, 1"	Each	12

For details of piles, see sheet 45 of 50.
 See sheet 35 of 50 for reinforcement in the wingwalls.