

Notes:

Hatched area to be poured after superstructure false work has been removed. Quantity of concrete included with Concrete Superstructure.

Space reinforcement in cap to miss anchor bolts. Pour steps monolithically with cap.

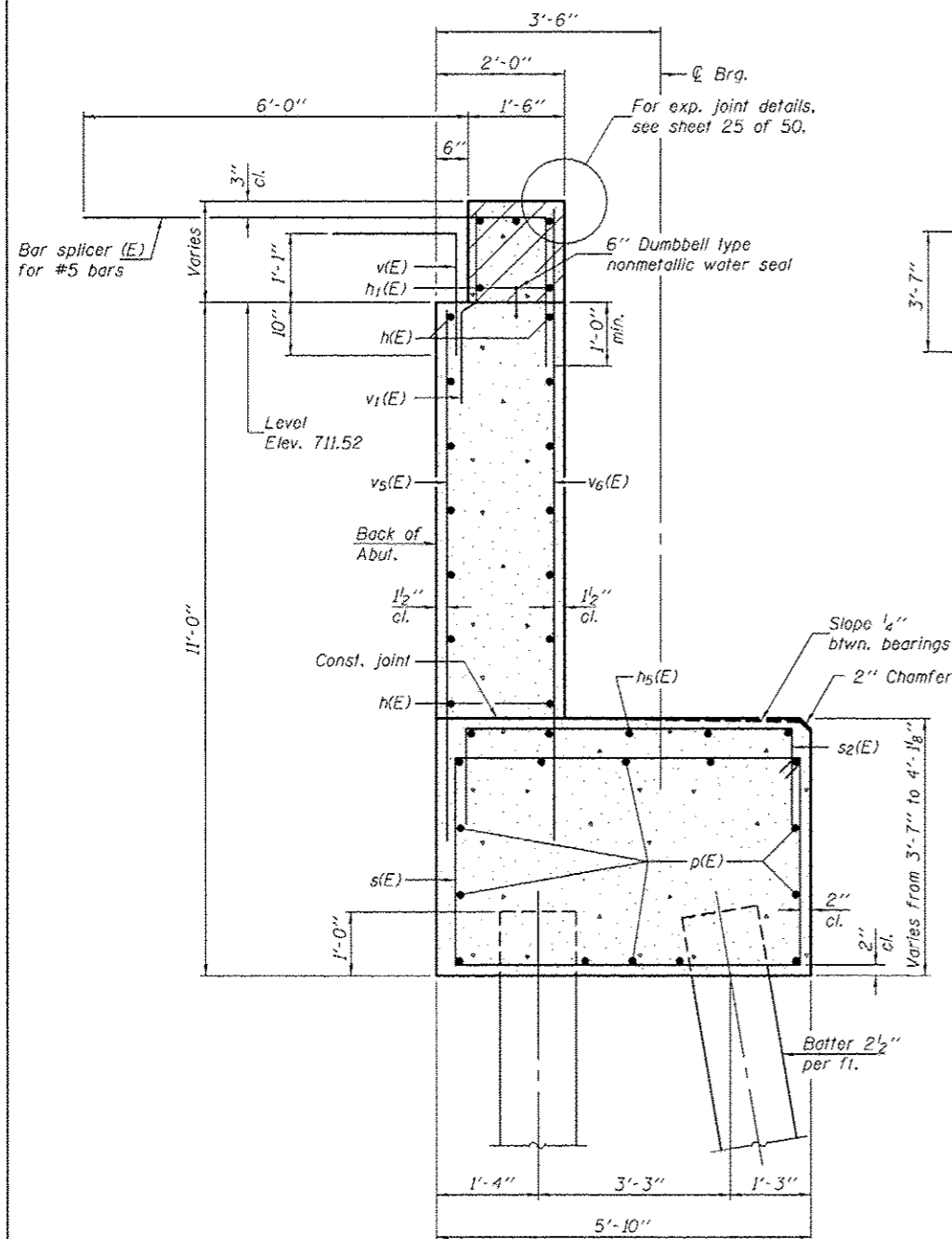
Quantity of concrete in end post included with Concrete Superstructure on sheet 20 of 50.

See sheet 44 of 50 for additional form liner details.

Form liner shall be placed on outside face of wingwalls as shown in the wingwall elevation shown below.

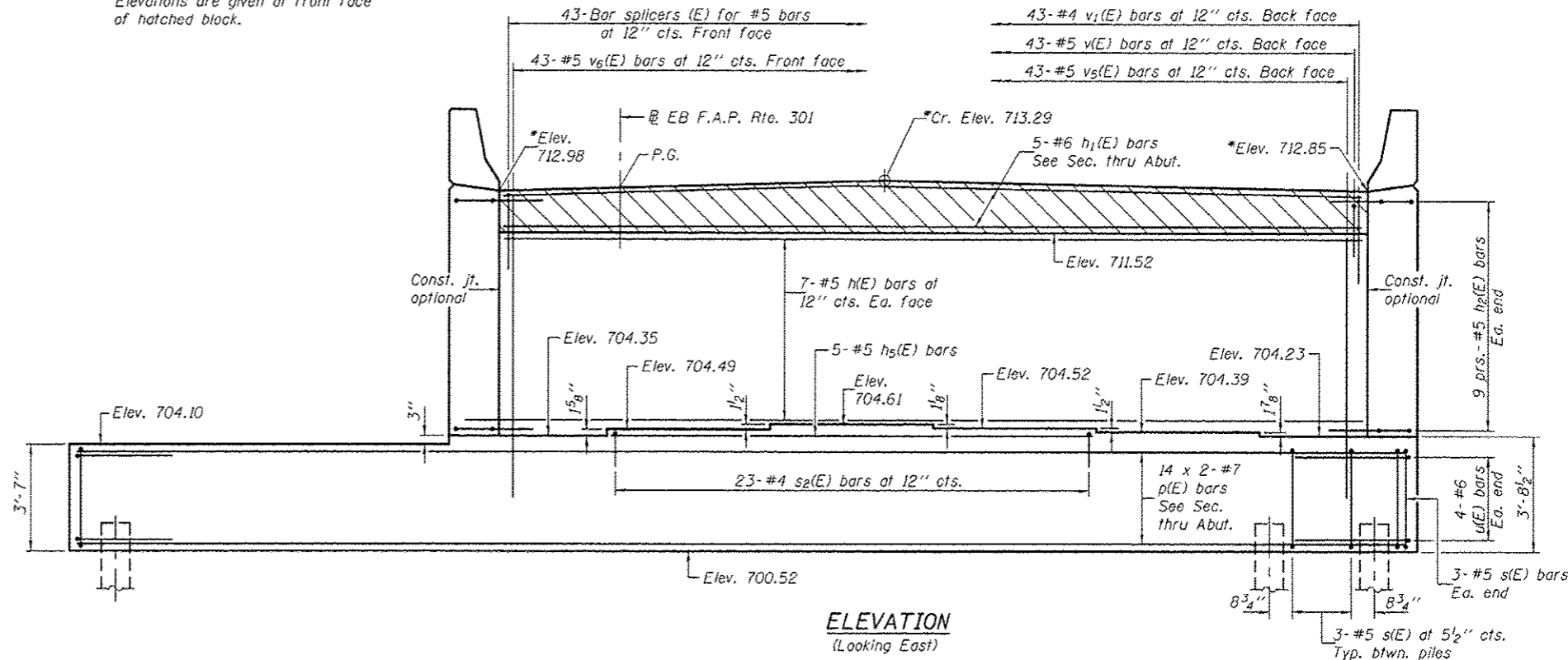
For bar splicer details, see sheet 46 of 50.

*Elevations are given at front face of hatched block.

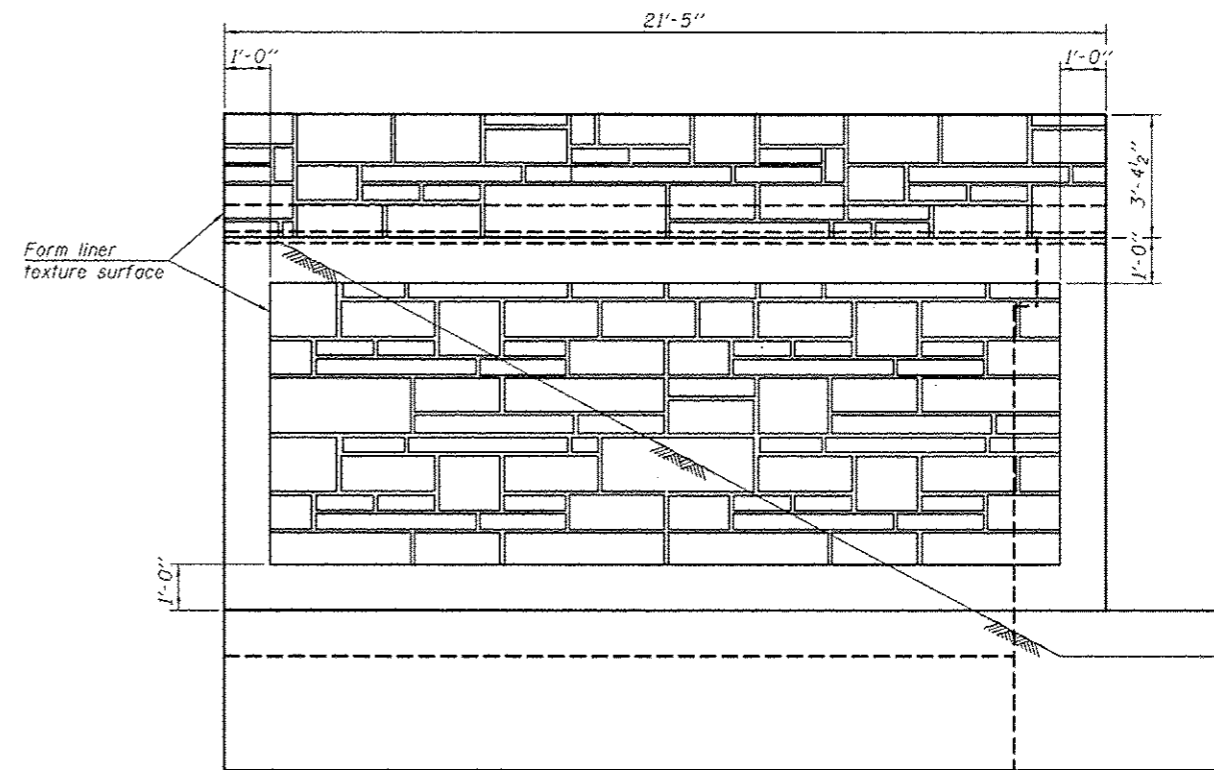


SECTION THRU EAST ABUTMENT

MIN. BAR LAP
#7 bar = 5'-2"



ELEVATION
(Looking East)



WINGWALL ELEVATION
(North wingwall shown, South wingwall similar).

DESIGNED - Nick R. Barnett	EXAMINED - <i>James F. [Signature]</i>
CHECKED - Frank W. Sharpe	PASSED - <i>[Signature]</i>
DRAWN - h.t. duong	
CHECKED - NBB/FWS/GRA	

DATE - OCTOBER 4, 2013	ACTING ENGINEER OF BRIDGES AND STRUCTURES
REVISED -	ACTING ENGINEER OF BRIDGES AND STRUCTURES
REVISED -	

STATE OF ILLINOIS
DEPARTMENT OF TRANSPORTATION

EAST ABUTMENT (E.B.) - STAGE I CONSTRUCTION
STRUCTURE NO. 101-0197 (E.B.) & 101-0198 (W.B.)

SHEET NO. 34 OF 50 SHEETS

F.A.P. RTE.	SECTION	COUNTY	TOTAL SHEETS	SHEET NO.
301	3BR & 3BR-1	WINNEBAGO	290	209
				CONTRACT NO. 64D19
ILLINOIS FED. AID PROJECT				