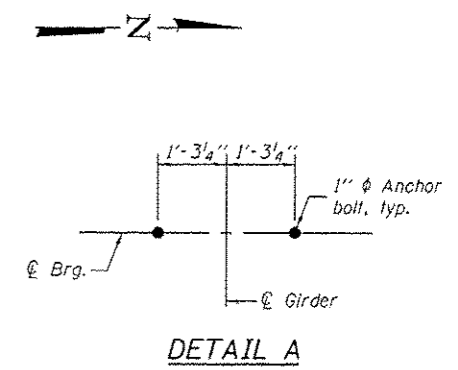
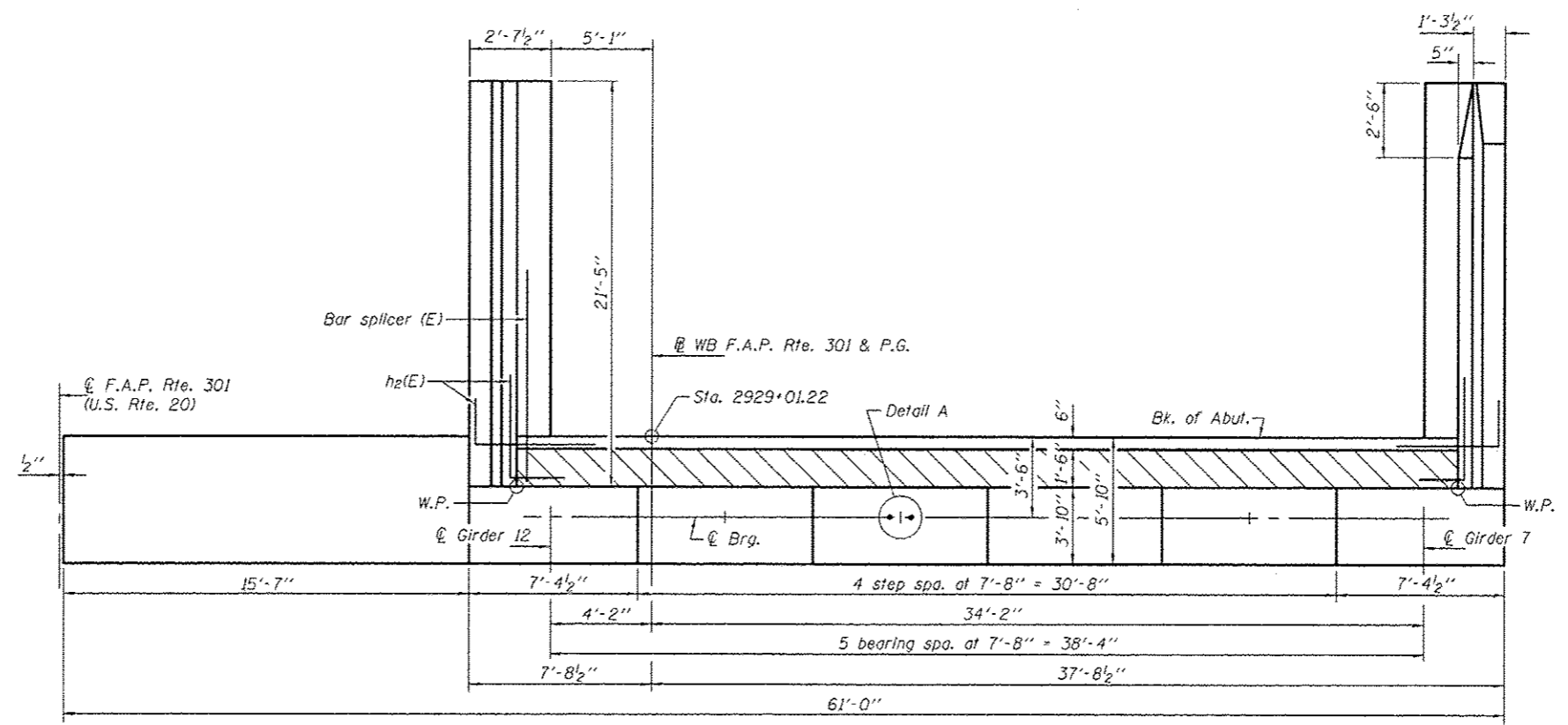


PILE DATA

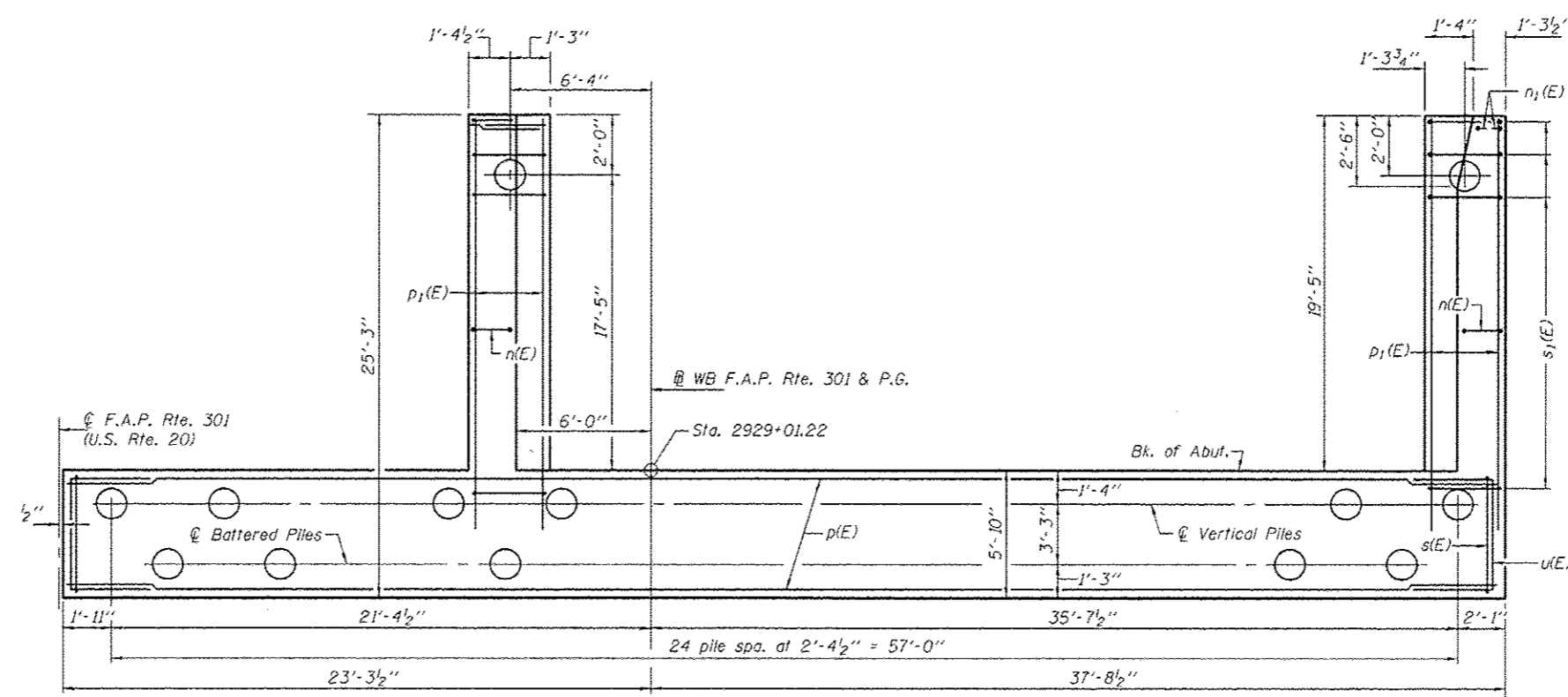
Type: Metal Shells 14"x .312" with Pile Shoes
 Nominal Required Bearing: 453 Kips
 Factored Resistance Available: 249 Kips
 Est. Length: 50'
 No. Production Piles: 26
 No. Test Piles: 1



**WEST ABUTMENT (W.B.)
BILL OF MATERIAL**

Bar	No.	Size	Length	Shape
h(E)	14	#5	41'-8"	
h ₁ (E)	5	#6	41'-8"	
h ₂ (E)	36	#5	5'-3"	
h ₃ (E)	42	#4	21'-1"	
h ₄ (E)	14	#4	21'-2"	
h ₅ (E)	5	#5	22'-8"	
n(E)	41	#6	16'-10"	
n ₁ (E)	6	#6	8'-5"	
p(E)	28	#7	32'-11"	
p ₁ (E)	12	#7	23'-2"	
s(E)	78	#5	18'-5"	
s ₁ (E)	42	#4	9'-5"	
s ₂ (E)	23	#4	8'-6"	
u(E)	8	#6	13'-1"	
v(E)	43	#5	3'-10"	
v ₁ (E)	43	#4	3'-2"	
v ₂ (E)	44	#6	11'-8"	
v ₃ (E)	3	#6	11'-1"	
v ₄ (E)	41	#6	11'-9"	
v ₅ (E)	43	#5	9'-2"	
v ₆ (E)	43	#5	10'-6"	
Structure Excavation		Cu. Yd.	165	
Concrete Structures		Cu. Yd.	108.8	
Reinforcement Bars, Epoxy Coated		Pound	10330	
Furnishing Metal Shell Piles 14"x .312"		Foot	1300	
Driving Piles		Foot	1300	
Test Pile, Metal Shells		Each	1	
Pile Shoes		Each	27	
Concrete Sealer		Sq. Ft.	894	
Anchor Bolts, 1"		Each	12	

For details of piles, see sheet 45 of 50.
 See sheet 40 of 50 for reinforcement in the wingwalls.



DESIGNED - Nick R. Barnett
 CHECKED - Frank W. Sharpe
 DRAWN - h.t. duong
 CHECKED - NRB/FWS/GRA

EXAMINED - *James F. [Signature]*
 PASSED - *[Signature]*
 DATE - OCTOBER 4, 2013
 REVISED -
 REVISED -

STATE OF ILLINOIS
 DEPARTMENT OF TRANSPORTATION

WEST ABUTMENT (W.B.) - STAGE II CONSTRUCTION
 STRUCTURE NO. 101-0197 (E.B.) & 101-0198 (W.B.)
 SHEET NO. 36 OF 50 SHEETS

F.A.P. RTE.	SECTION	COUNTY	TOTAL SHEETS	SHEET NO.
301	3BR & 3BR-1	WINNEBAGO	290	211
			CONTRACT NO. 64D19	
ILLINOIS FED. AID PROJECT				