

**Notes:**

Hatched area to be poured after superstructure false work has been removed. Quantity of concrete included with Concrete Superstructure.

Space reinforcement in cap to miss anchor bolts. Pour steps monolithically with cap.

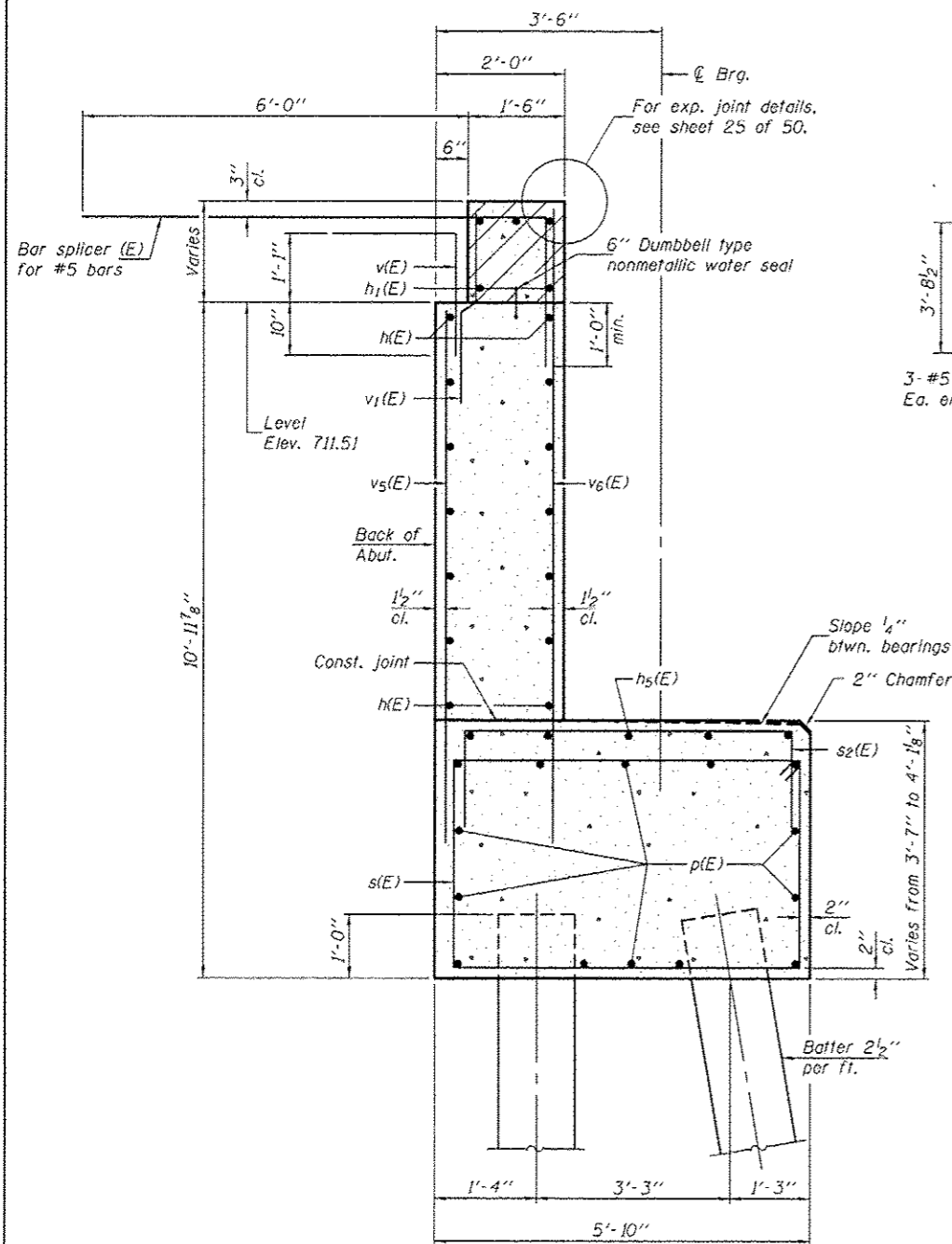
Quantity of concrete in end post included with Concrete Superstructure on sheet 20 of 50.

See sheet 44 of 50 for additional form liner details.

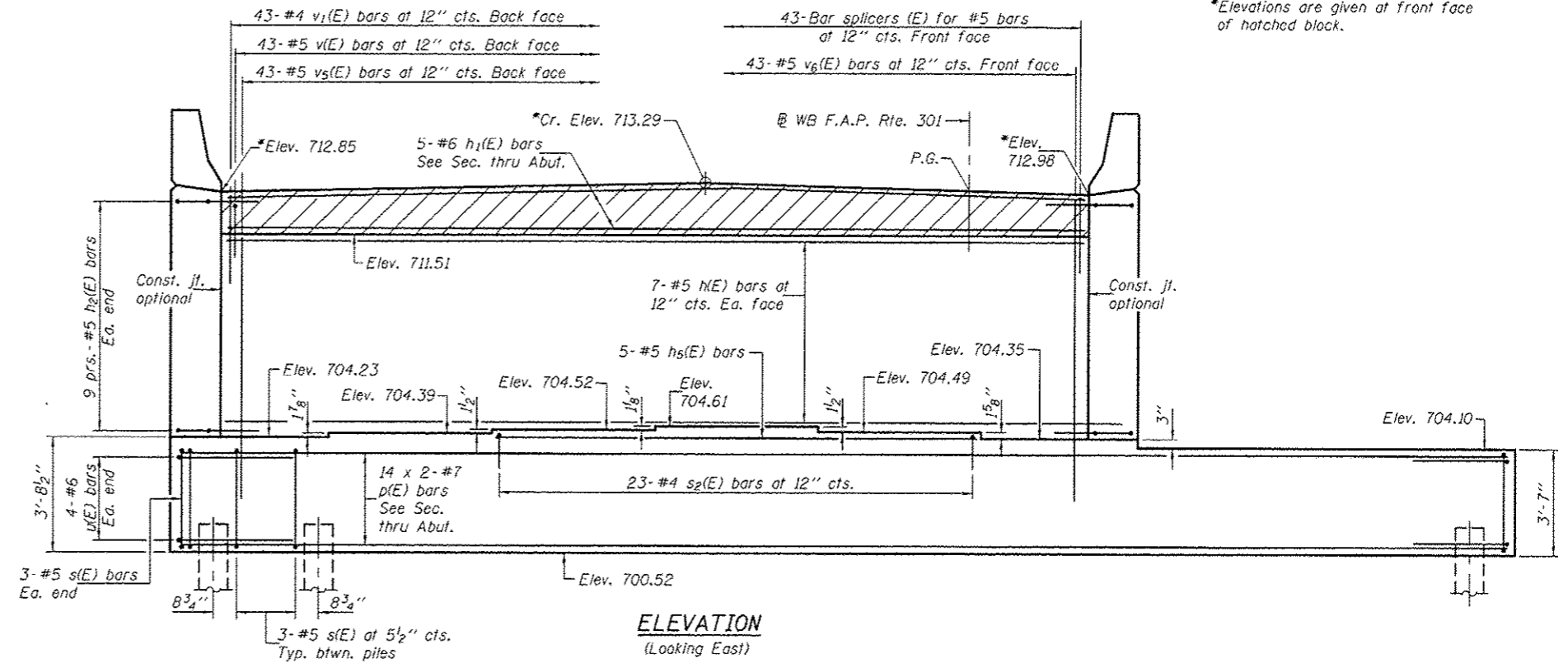
Form liner shall be placed on outside face of wingwalls as shown in the wingwall elevation shown below.

For bar splicer details, see sheet 46 of 50.

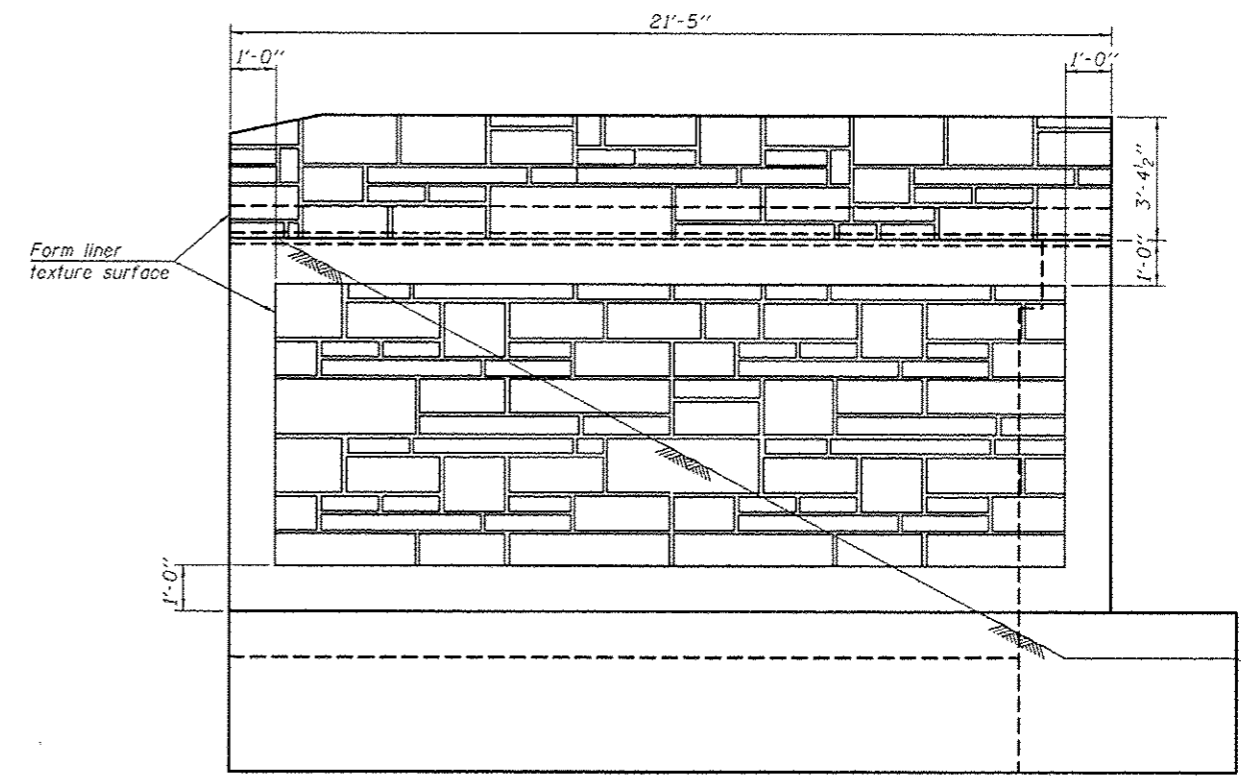
\*Elevations are given at front face of hatched block.



**SECTION THRU EAST ABUTMENT**



**ELEVATION (Looking East)**



**WINGWALL ELEVATION (North wingwall shown, South wingwall similar).**

**MIN. BAR LAP #7 bar = 5'-2"**

DESIGNED - Nick R. Barnett	EXAMINED - <i>Joseph F. [Signature]</i>
CHECKED - Frank W. Sharpe	PASSED - <i>Carl [Signature]</i>
DRAWN - h.t. duong	
CHECKED - NBB/FWS/GRA	

DATE - OCTOBER 4, 2013	ACTING ENGINEER OF BRIDGE DESIGN
REVISOR	ACTING ENGINEER OF BRIDGES AND STRUCTURES

REVISOR	REVISOR
---------	---------

**STATE OF ILLINOIS DEPARTMENT OF TRANSPORTATION**

**EAST ABUTMENT (W.B.) - STAGE II CONSTRUCTION STRUCTURE NO. 101-0197 (E.B.) & 101-0198 (W.B.)**

SHEET NO. 39 OF 50 SHEETS

F.A.P. RTE. 301	SECTION 3BR & 3BR-1	COUNTY WINNEBAGO	TOTAL SHEETS 290	SHEET NO. 214
CONTRACT NO. 64D19				
ILLINOIS FED. AID PROJECT				