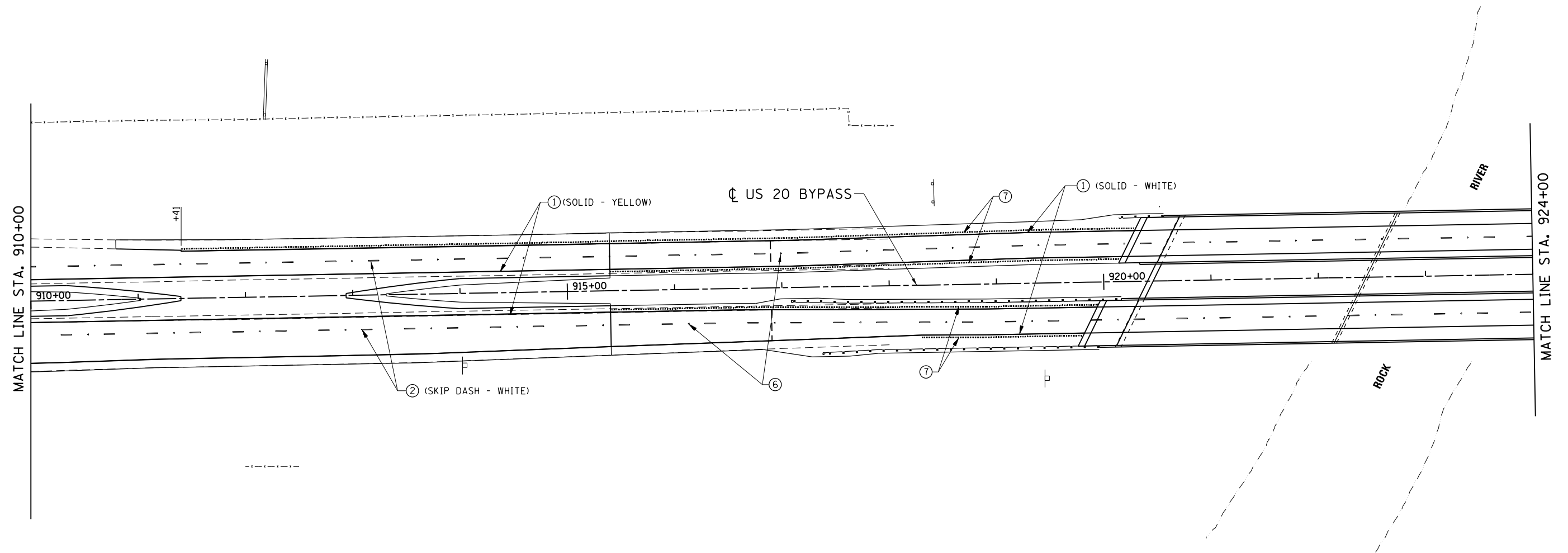
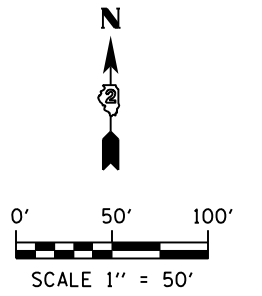


LEGEND

- ① MODIFIED URETHANE PAVEMENT MARKING - LINE 4"
- ② MODIFIED URETHANE PAVEMENT MARKING - LINE 6"
- ③ MODIFIED URETHANE PAVEMENT MARKING - LINE 8"
- ④ MODIFIED URETHANE PAVEMENT MARKING - LINE 12"
- ⑤ MODIFIED URETHANE PAVEMENT MARKING - LINE 24"
- ⑥ RAISED REFLECTIVE PAVEMENT MARKER (STD 781001)
- ⑦ SHOULDER RUMBLE STRIP (STD 642001)



FILE NAME = D264019-ahs-Pmk_05.dgn
 MODEL = Default
 PLOT DRIVER = V8...IDOT.PDF...1x17.pltcf9



USER NAME = rgoertz	DESIGNED - RG	REVISED -
PLOT SCALE = 100.0000' / in.	DRAWN - TRF	REVISED -
PLOT DATE = 8/16/2013	CHECKED - CMS	REVISED -
	DATE - 07/01/2013	REVISED -

**STATE OF ILLINOIS
DEPARTMENT OF TRANSPORTATION**

**SIGNING AND PAVEMENT MARKING PLAN
US 20 BYPASS**

SCALE 1" = 50' SHEET NO. OF SHEETS STA. 910+00 TO STA. 924+00

F.A.P. RTE.	SECTION	COUNTY	TOTAL SHEETS	SHEET NO.
301	3BR & 3BR-1	WINNEBAGO	290	90
CONTRACT NO. 64D19				
FED. ROAD DIST. NO. ILLINOIS FED. AID PROJECT				