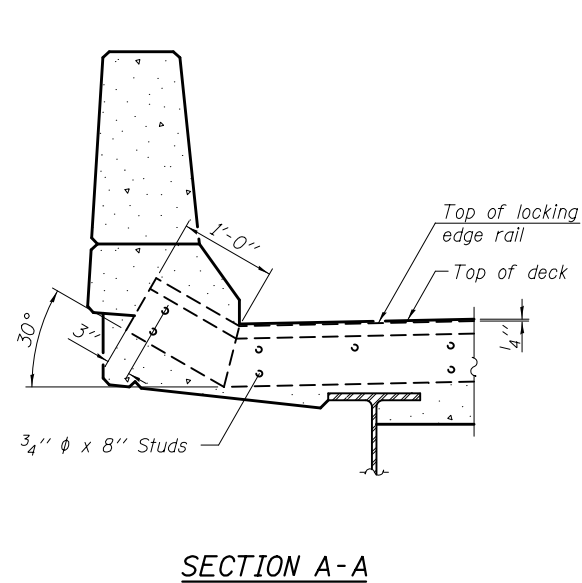
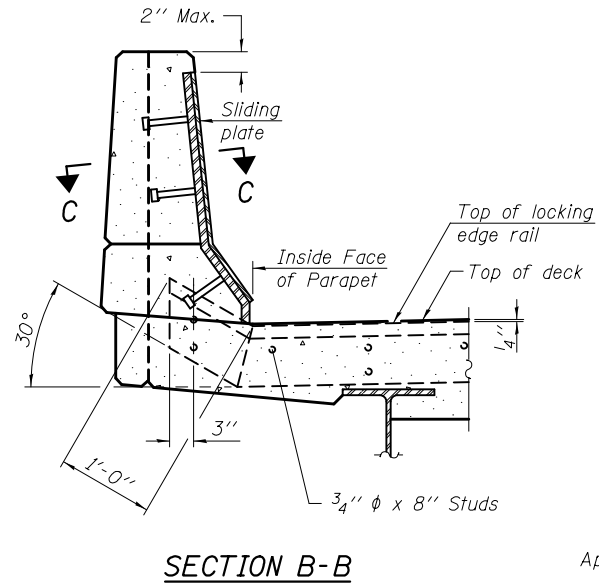


TYPICAL END TREATMENT AT SIDEWALK OR MEDIAN

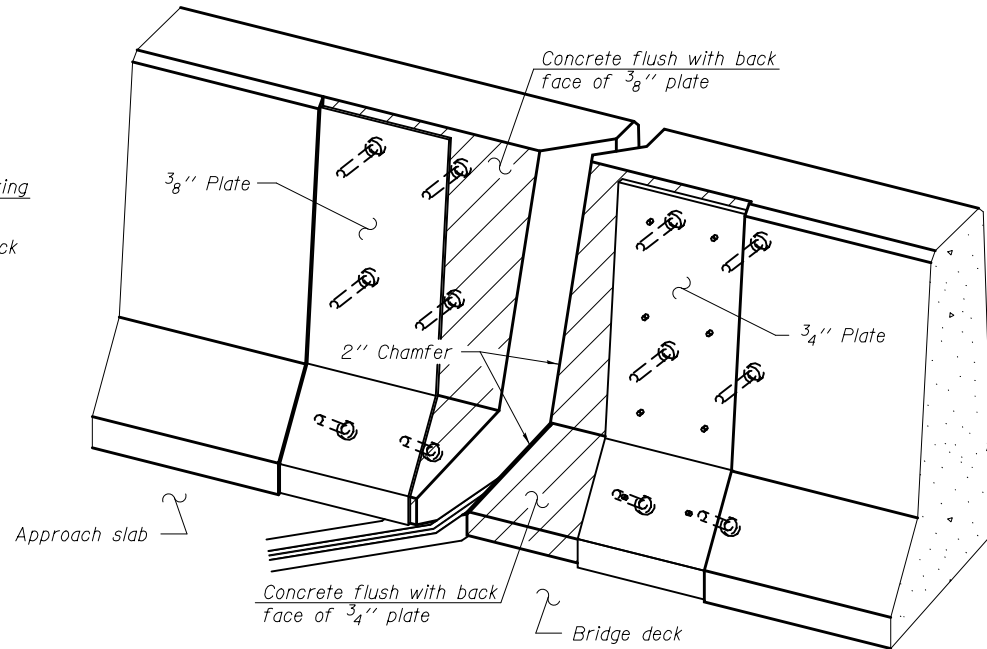
Shorter plates with a single row of studs at 12" cts. may be necessary on medians which are shallower than 9". See manufacturer's recommendation.



SECTION A-A



SECTION B-B



TRIMETRIC VIEW (Showing back plates only)

Notes:

The strip seal shall be made continuous and shall have a minimum thickness of 1/4". The configuration of the strip seal shall match the configuration of the Locking Edge Rails. Open or "webbed" strip seal gland configurations are not permitted. The gland shall be sized for a maximum rated movement of 4 inches.

The Locking Edge Rails depicted are conceptual only, except for the minimum dimensions shown. The actual configuration of the Locking Edge Rails and matching strip seal may vary from manufacturer to manufacturer. Flanged edge rails will not be allowed. Locking Edge Rails may be spliced at slope discontinuities.

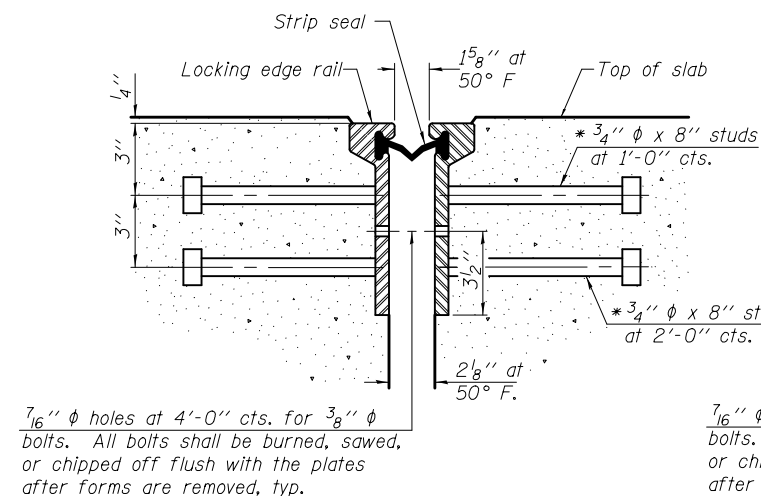
The manufacturer's recommended installation methods shall be followed.

The joint opening and deck dimensions detailed on the superstructure are based on a rolled rail expansion joint. If the Contractor elects to use the welded rail expansion joint, the opening and deck dimensions shall be modified according to the dimensions detailed on this sheet. Required modifications shall be made at no additional cost to the State.

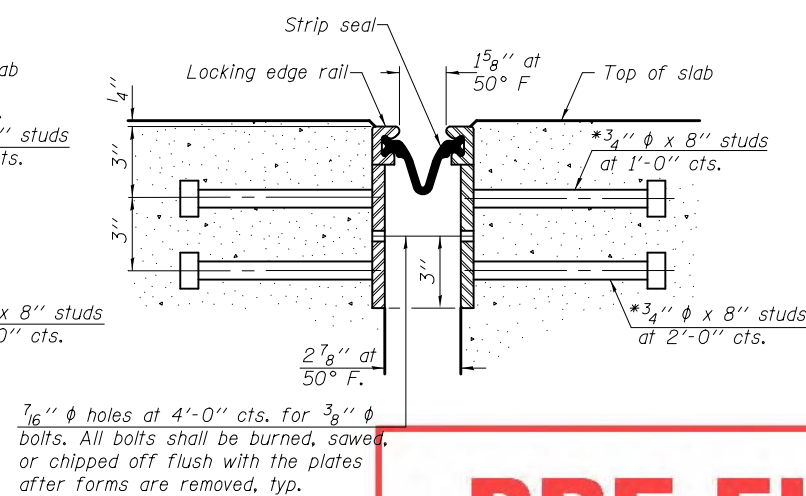
All steel components shall be galvanized after fabrication according to Article 520.03 of the Standard Specifications.

Maximum space between rail segments shall be 3/16", sealed with a suitable sealant. Joints in rails within 10 ft. of curbs shall be welded.

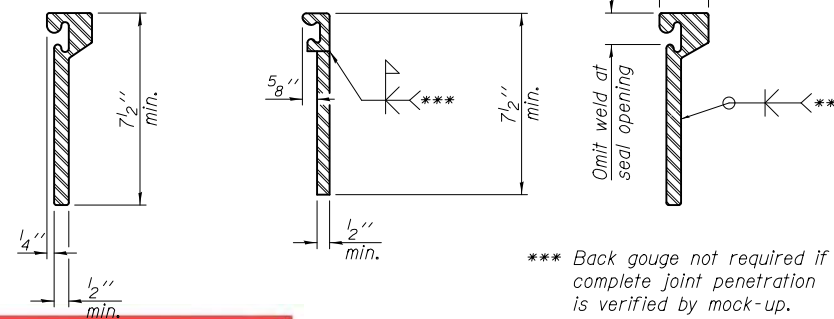
Parapet plates and anchorage studs for skews > 30° included in the cost of Preformed Joint Strip Seal.



SECTION THRU ROLLED RAIL JOINT



SECTION THRU WELDED RAIL JOINT



LOCKING EDGE RAIL SPLICE

The inside of the locking edge rail groove shall be free of weld residue. Rolled rail shown, welded rail similar.

BILL OF MATERIAL

Item	Unit	Total
Preformed Joint Strip Seal	Foot	197

PRE-FINAL

ROLLED EXTRUDED RAIL WELDED RAIL

LOCKING EDGE RAILS

EJ-SSJ

1-27-12

DESIGNED - Nick R. Barnett
CHECKED - Al-Barræ R. Shebib
DRAWN - h.t. duong
CHECKED - NRB/GRA

EXAMINED	DATE
PASSED	REVISED
	REVISED

DATE	REVISED
	REVISED

STATE OF ILLINOIS DEPARTMENT OF TRANSPORTATION

PREFORMED JOINT STRIP SEAL STRUCTURE NO. 101-0195 (E.B.) & 101-0196 (W.B.)

SHEET NO. 25 OF 55 SHEETS

F.A.P. RTE.	SECTION	COUNTY	TOTAL SHEETS	SHEET NO.
301	3BR & 3BR-1	WINNEBAGO		
CONTRACT NO. 64D19				
ILLINOIS FED. AID PROJECT				