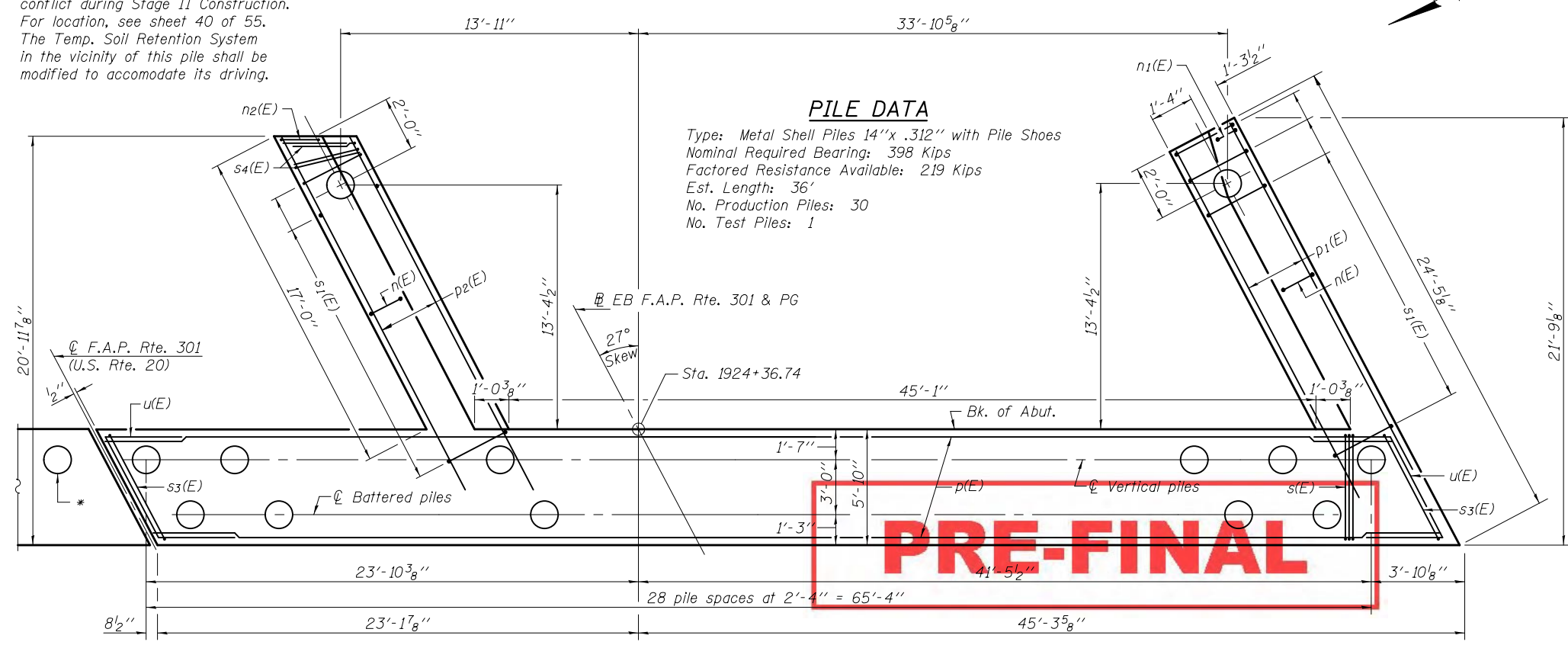


TOP VIEW

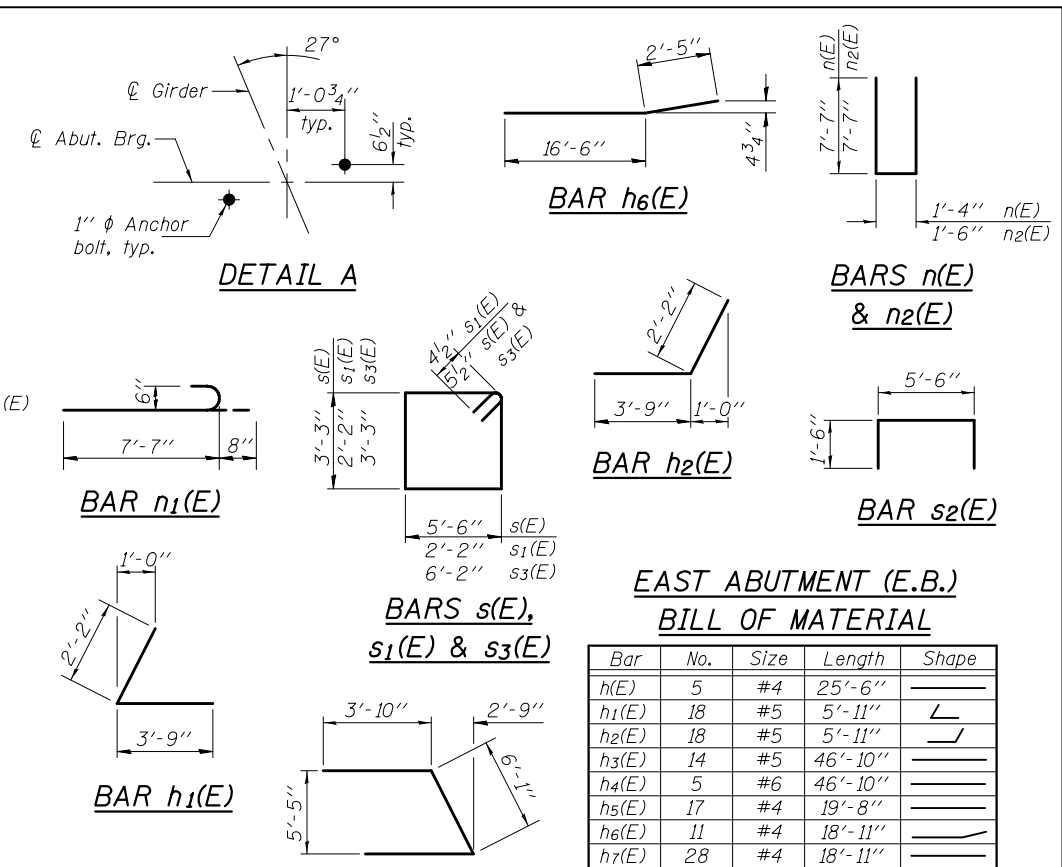
*This pile shall be driven during Stage I Construction to avoid conflict during Stage II Construction. For location, see sheet 40 of 55. The Temp. Soil Retention System in the vicinity of this pile shall be modified to accommodate its driving.



PILE DATA

Type: Metal Shell Piles 14"x .312" with Pile Shoes
 Nominal Required Bearing: 398 Kips
 Factored Resistance Available: 219 Kips
 Est. Length: 36'
 No. Production Piles: 30
 No. Test Piles: 1

PLAN-PILE CAP



EAST ABUTMENT (E.B.)
 BILL OF MATERIAL

Bar	No.	Size	Length	Shape
h(E)	5	#4	25'-6"	—
h1(E)	18	#5	5'-11"	L
h2(E)	18	#5	5'-11"	L
h3(E)	14	#5	46'-10"	—
h4(E)	5	#6	46'-10"	—
h5(E)	17	#4	19'-8"	—
h6(E)	11	#4	18'-11"	—
h7(E)	28	#4	18'-11"	—
n(E)	35	#6	16'-6"	—
n1(E)	6	#6	8'-3"	—
n2(E)	1	#6	16'-8"	—
p(E)	24	#7	36'-7"	—
p1(E)	6	#7	20'-8"	—
p2(E)	6	#7	20'-0"	—
s(E)	84	#5	18'-5"	—
s1(E)	36	#4	9'-5"	—
s2(E)	26	#4	8'-6"	—
s3(E)	2	#5	19'-9"	—
s4(E)	4	#4	6'-8"	—
u(E)	8	#6	13'-9"	—
v(E)	48	#5	3'-10"	—
v1(E)	48	#4	3'-2"	—
v2(E)	48	#5	8'-10"	—
v3(E)	48	#5	10'-2"	—
v4(E)	3	#6	10'-10"	—
v6(E)	41	#6	11'-4"	—
v7(E)	37	#6	11'-3"	—
Structure Excavation		Cu. Yd.	145.5	
Concrete Structures		Cu. Yd.	112.9	
Reinforcement Bars, Epoxy Coated		Pound	10160	
Furnishing Metal Shell Piles 14"x .312"		Foot	1080	
Driving Piles		Foot	1080	
Test Pile Metal Shells		Each	1	
Pile Shoes		Each	31	
Concrete Sealer		Sq. Ft.	1007.7	
Anchor Bolts, 1"		Each	12	

For details of bar splicers, see sheet 49 of 55.
 For details of piles, see sheet 48 of 55.