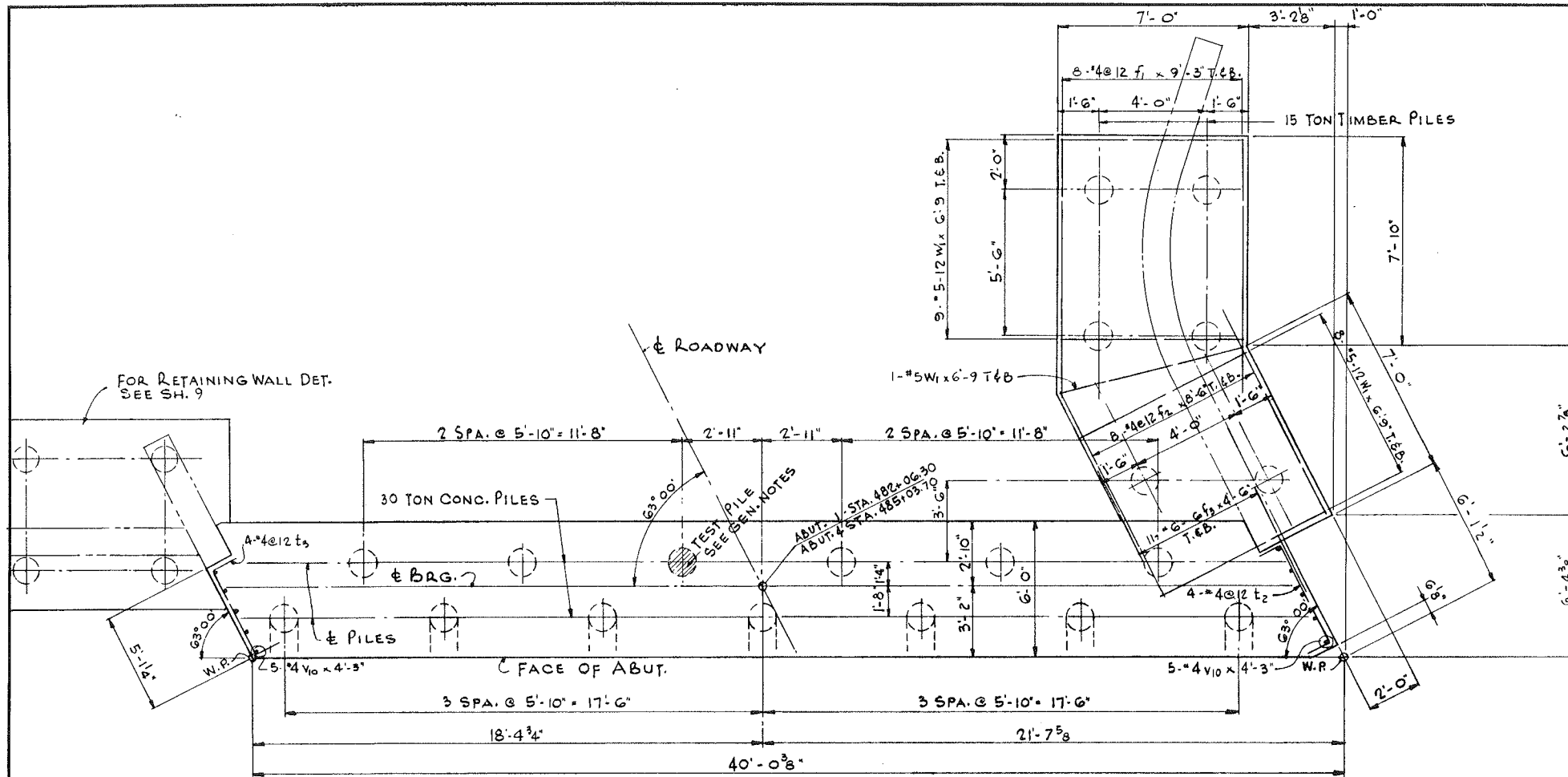
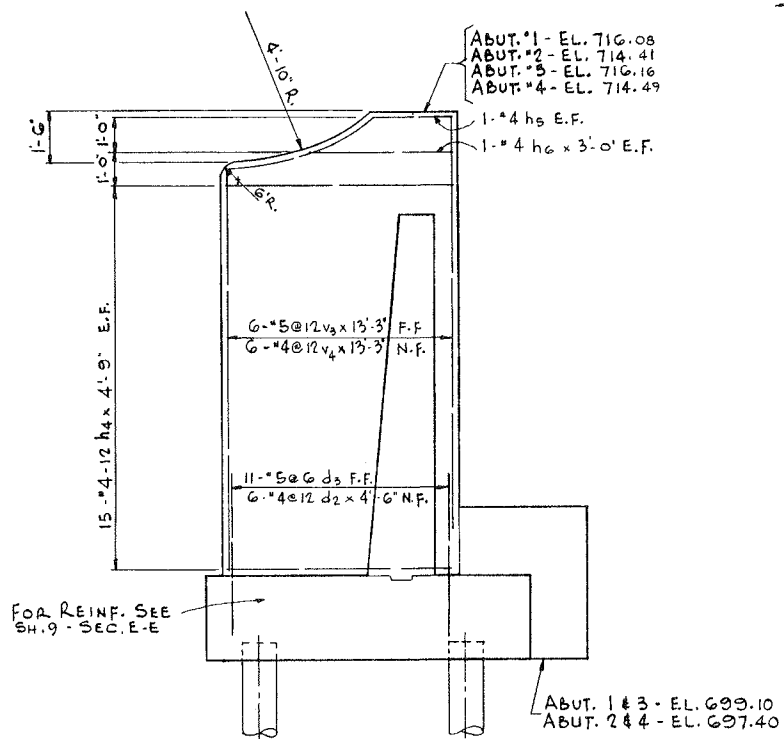


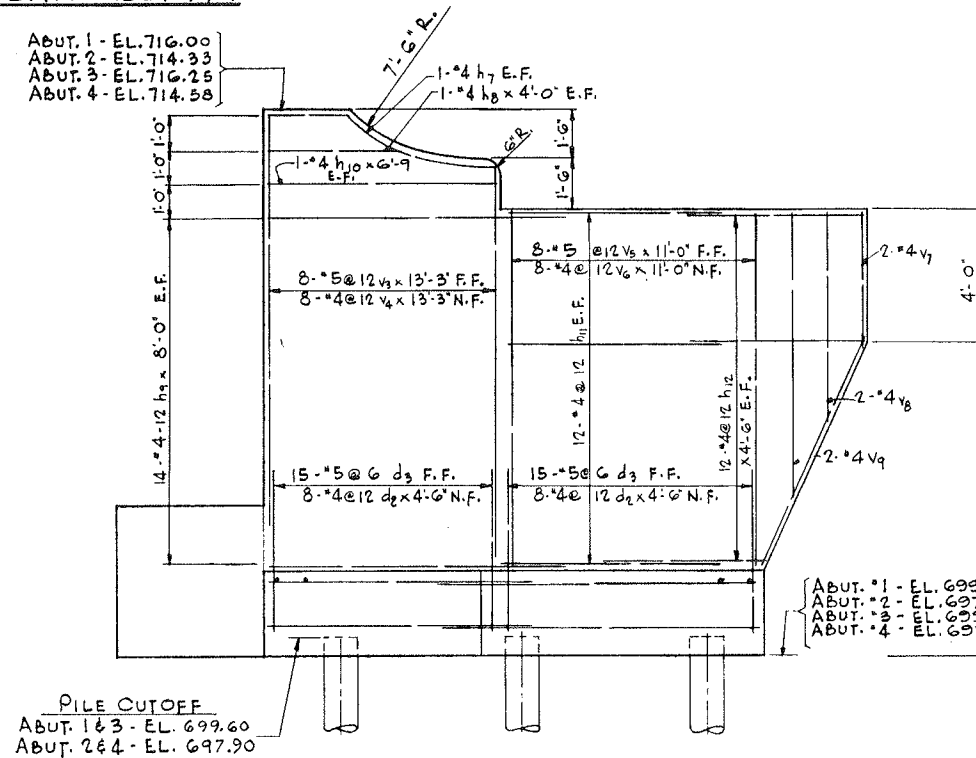
ROUTE NO.	SEC.	COUNTY	TOTAL SHEETS	SHEET NO.
F.A. 194	3B	WINNEBAGO	26	8
STA. TO STA.		PROJ.		
FED. ROAD DIST. NO. 7 ILLINOIS				



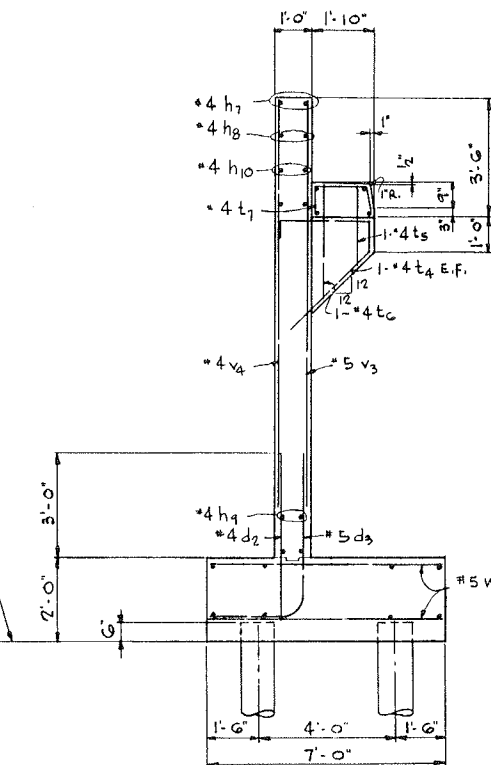
PILE PLAN-ABUT. 1&4



ELEVATION C-C



ELEVATION D-D



SECTION B-B
SCALE AS SHOWN

NOTES:
FOR REINFORCING SCHEDULE SEE SHTS. 19 & 20.
WORK THIS SH. WITH SHTS. 7 & 9.

ILLINOIS DIVISION OF HIGHWAYS	
ROCKFORD BYPASS	
F. A. ROUTE 194	
PROJECT	SECTION 3B
WINNEBAGO COUNTY	
ABUTMENTS PART 2	

Designed By: E.S. | Drawn By: E.N. | Checked By: JDP

FOR INFORMATION ONLY