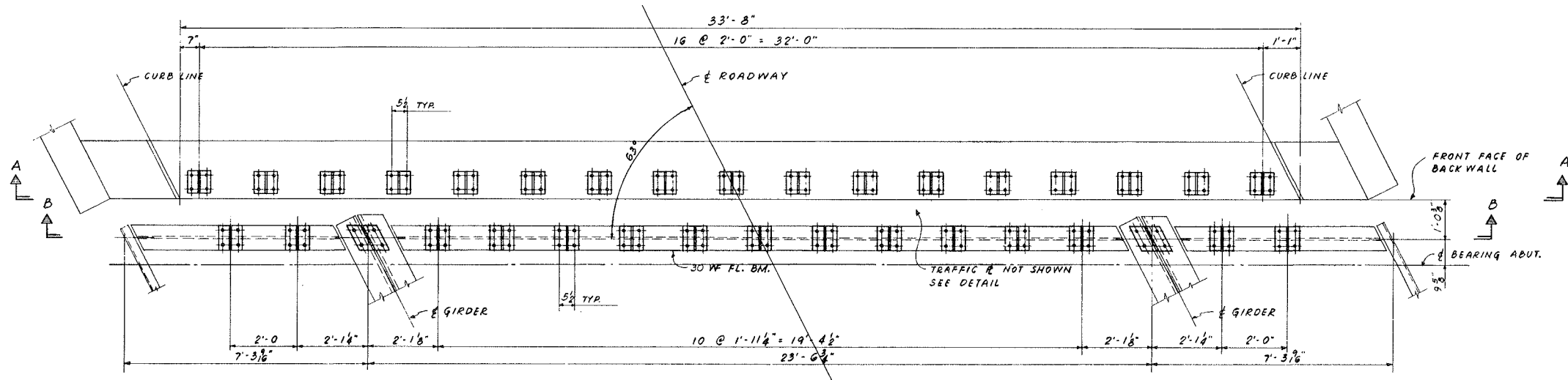
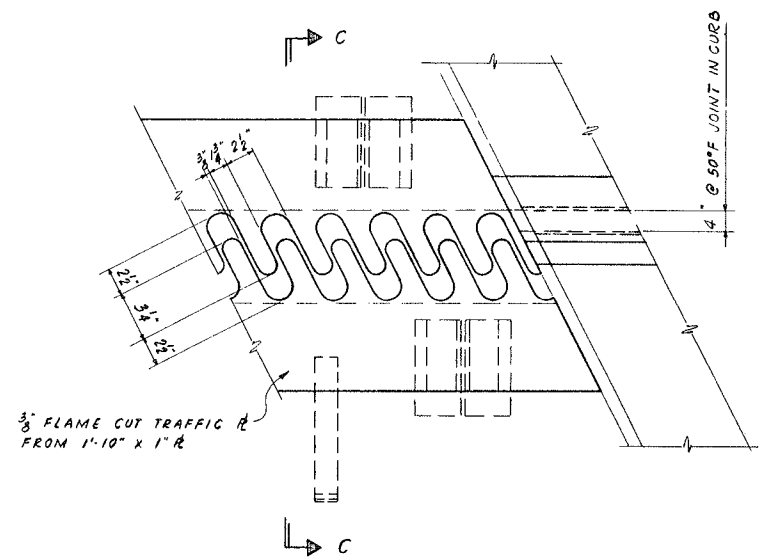


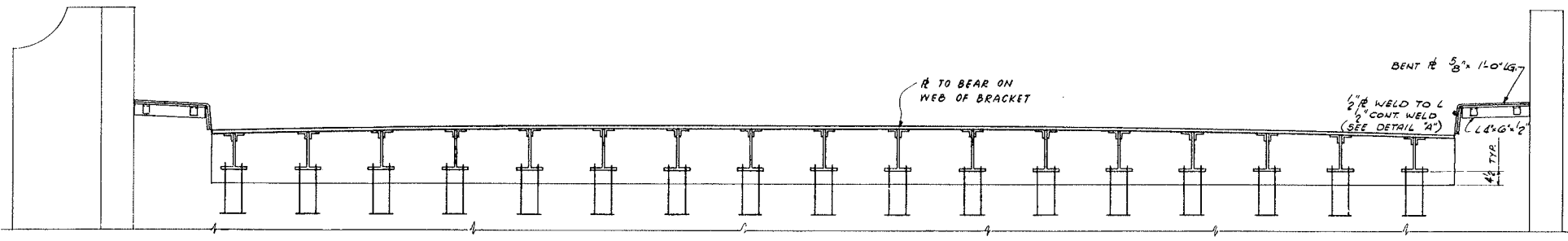
ROUTE NO.	SEC.	COUNTY	TOTAL SHEETS	SHEET NO.
F.A. 194	30 F	WINNEBAGO	26	17
STA.	TO STA.		PROJ.	
FED. ROAD DIST. NO. 7 ILLINOIS				



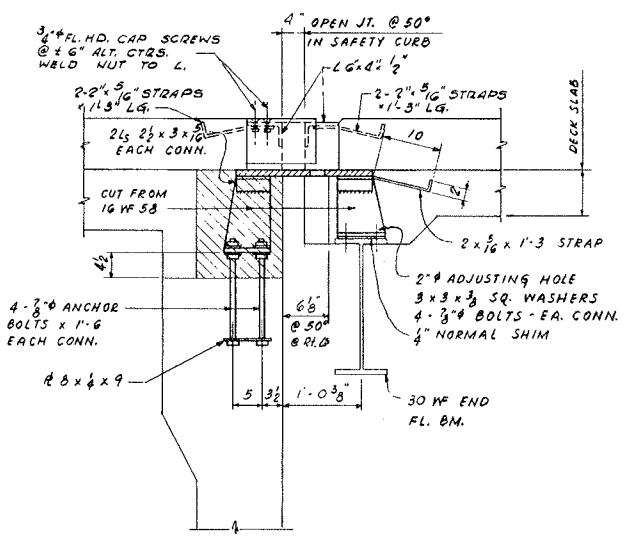
P L A N



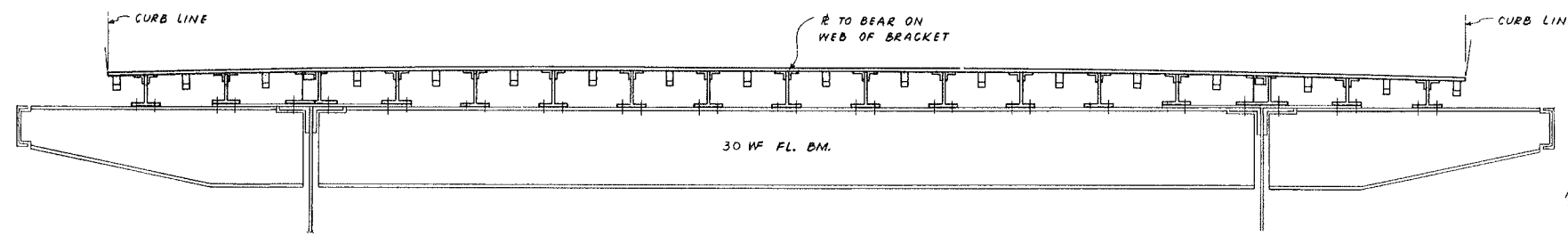
TRAFFIC R DETAIL @ 50°



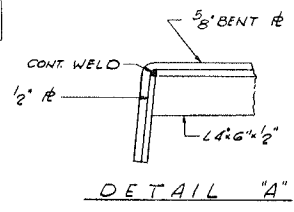
S E C T I O N "A - A"



S E C T I O N "C - C"



S E C T I O N "B - B"



DETAIL "A"

ILLINOIS DIVISION OF HIGHWAYS	
ROCKFORD BYPASS	
F. A. ROUTE 194	
PROJECT	SECTION 3 B
WINNEBAGO COUNTY	
EXPANSION GUARD	
Designed By: E.S. Drawn By: L.W. Checked By: JDP	

MACCABEE, CAMPBELL & ASSOCIATES CONSULTING ENGINEERS
CHICAGO, ILLINOIS

FOR INFORMATION ONLY