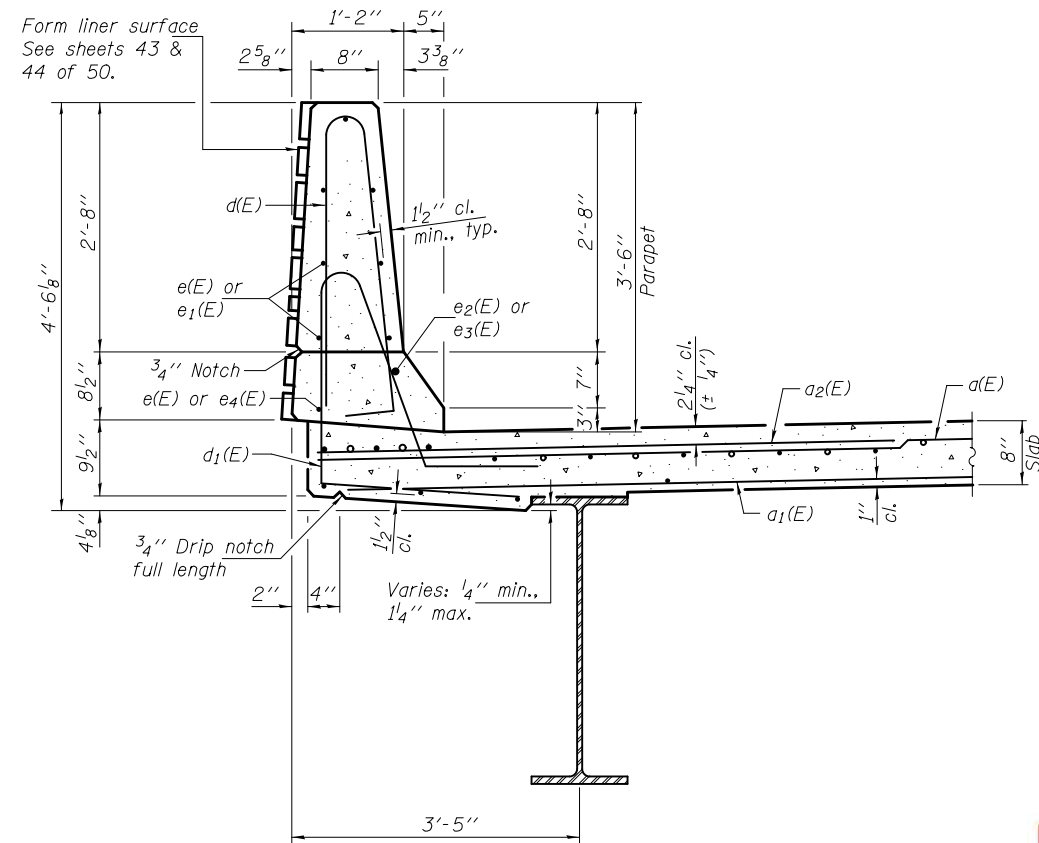
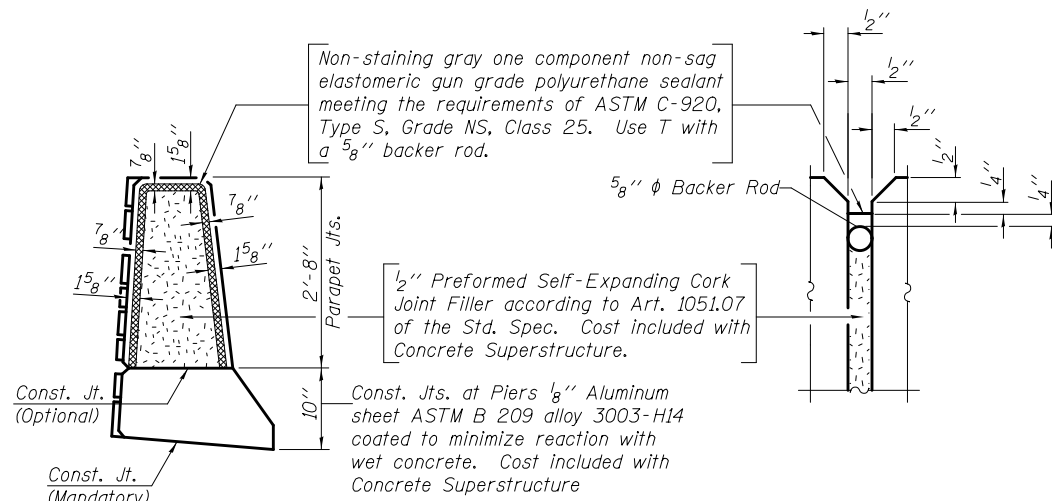


INSIDE ELEVATION OF NORTH PARAPET (E.B.)
(Looking North - South parapet similar)

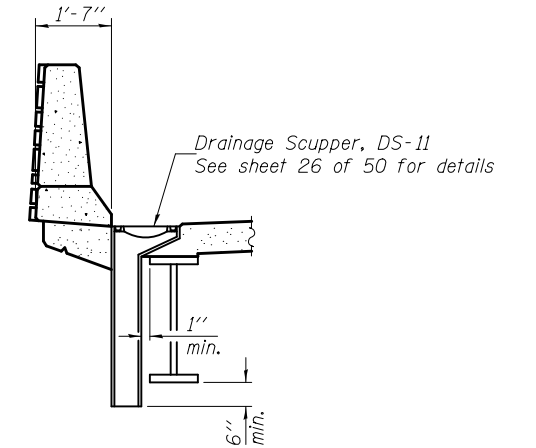


SECTION THRU PARAPET

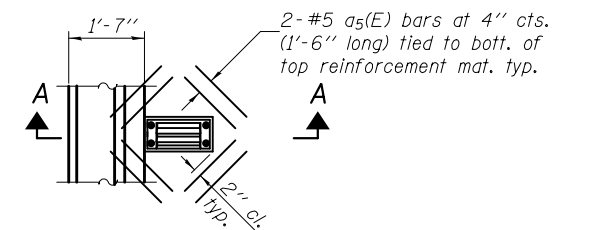


PARAPET JOINT DETAILS

MIN. BAR LAP
(Parapet)
#4 bar = 2'-0"
#8 bar = 5'-2"



SECTION A-A



PLAN

Note:
Cut longitudinal reinforcement to clear drainage scuppers.

PRE-FINAL

DESIGNED - Nick R. Barnett	EXAMINED - <i>Joanne F. [Signature]</i>	DATE -
CHECKED - Frank W. Sharp	PASSED - <i>Carl [Signature]</i>	REVISED
DRAWN - h.t. duong	ACTING ENGINEER OF BRIDGES AND STRUCTURES	REVISED
CHECKED - NRB/FWS/GRA		

**STATE OF ILLINOIS
DEPARTMENT OF TRANSPORTATION**

**SUPERSTRUCTURE DETAILS
STRUCTURE NO. 101-0197 (E.B.) & 101-0198 (W.B.)**

F.A.P. RTE.	SECTION	COUNTY	TOTAL SHEETS	SHEET NO.
301	3BR & 3BR-1	WINNEBAGO		
CONTRACT NO. 64D19				
ILLINOIS FED. AID PROJECT				

SHEET NO. 19 OF 50 SHEETS