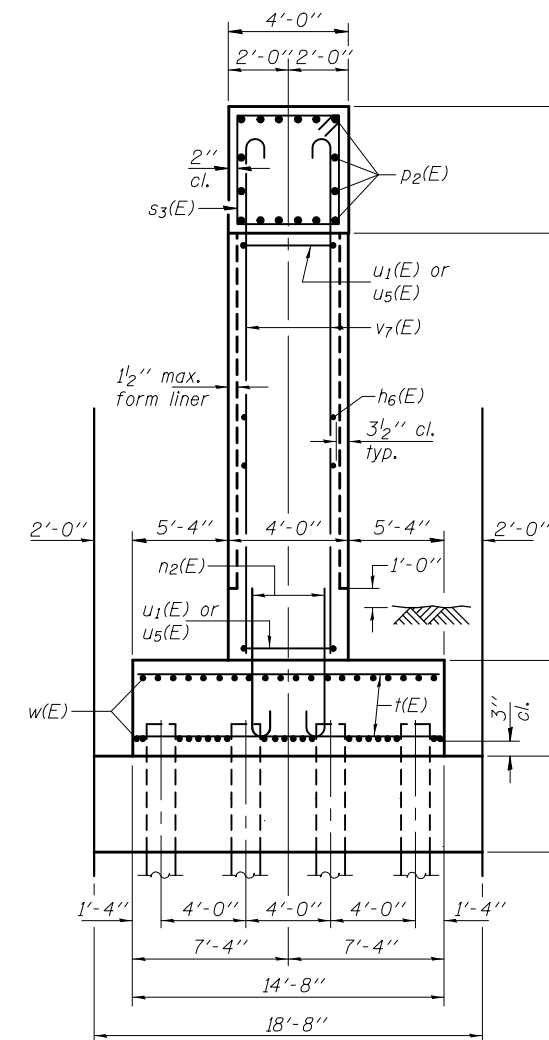
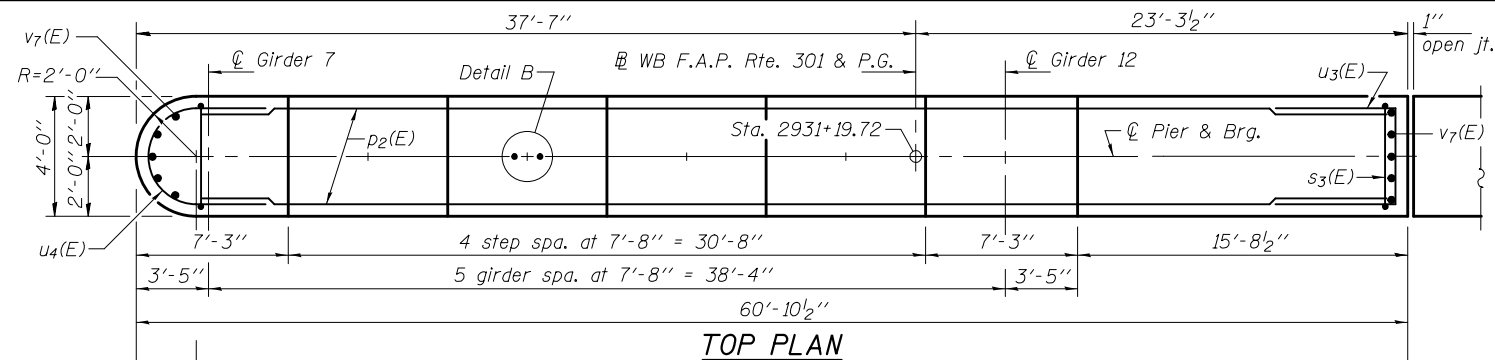
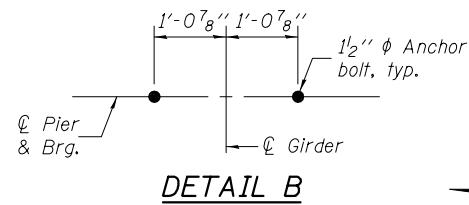


Notes:  
 Space reinforcement in cap to miss anchor bolts.  
 Four steps monolithically with cap.  
 For details of piles, see sheet 45 of 50.

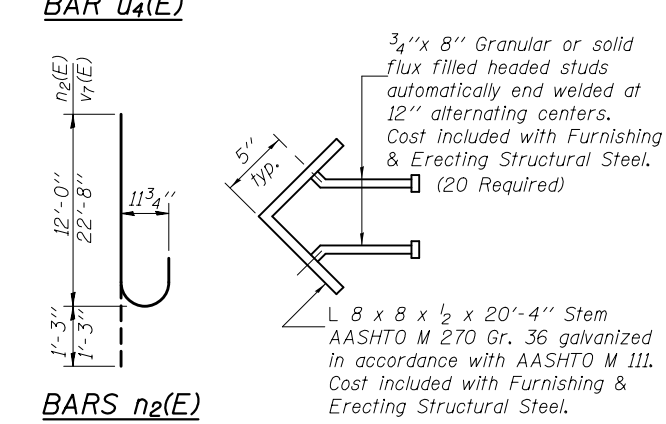
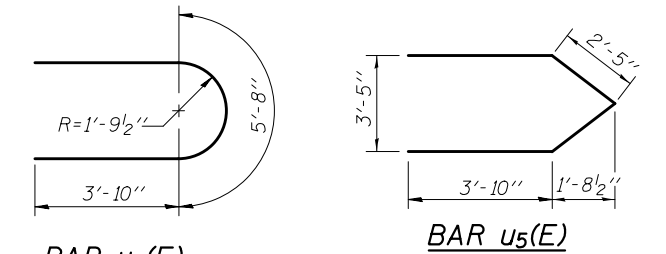
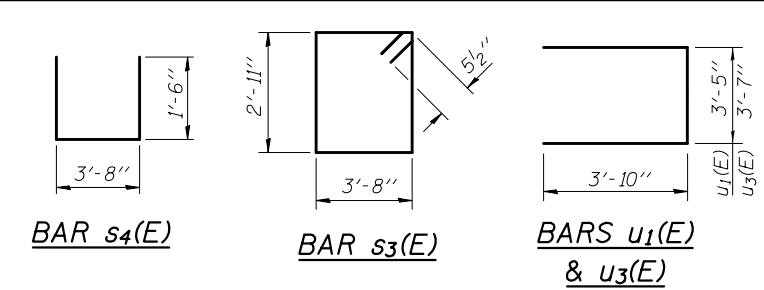
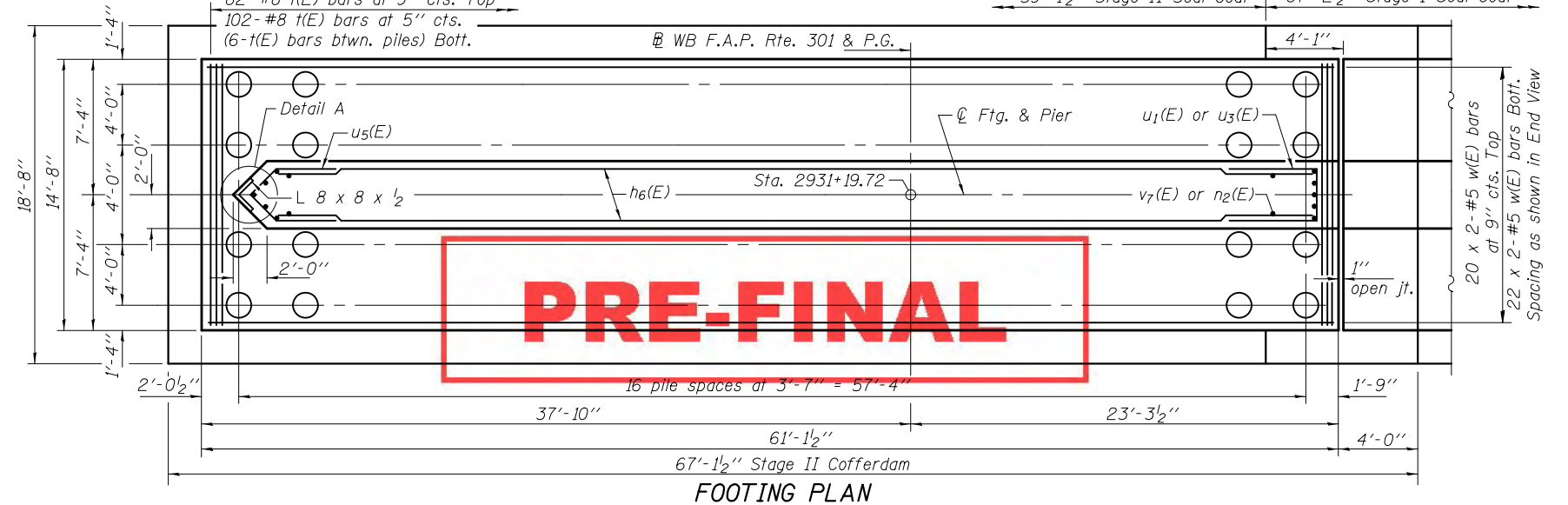
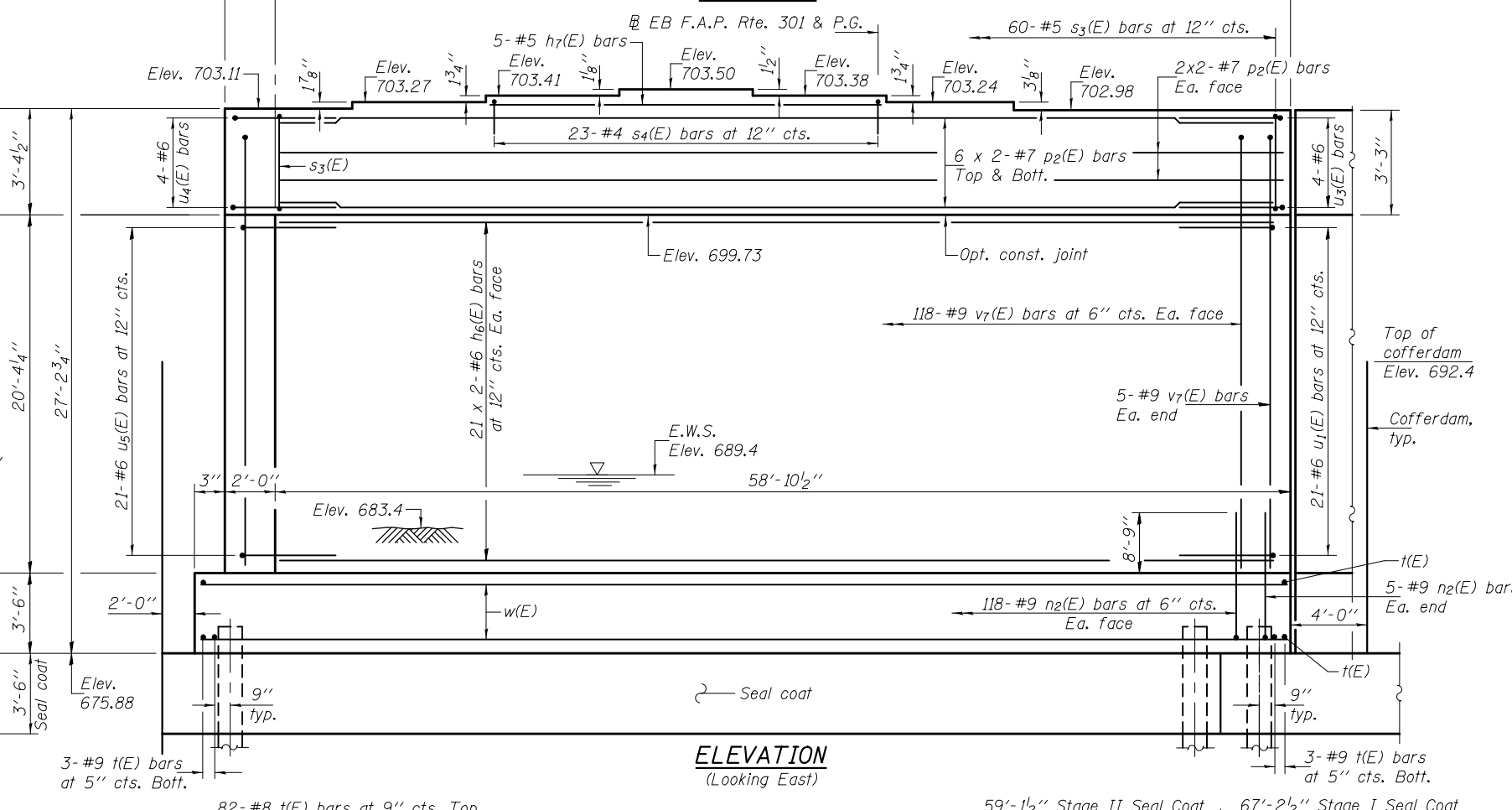


**MIN. BAR LAP**

- #5 bar = 3'-3"
- #6 bar = 3'-10"
- #7 bar = 5'-2"

**PILE DATA**

Type: Metal Shells 14"x .312" with Pile Shoes  
 Nominal Required Bearing: 316 Kips  
 Factored Resistance Available: 166 Kips  
 Est. Length: 34'  
 No. Production Piles: 67  
 No. Test Piles: 1



3/4" x 8" Granular or solid flux filled headed studs automatically end welded at 12" alternating centers. Cost included with Furnishing & Erecting Structural Steel. (20 Required)

L 8 x 8 x 1/2 x 20'-4" Stem AASHTO M 270 Gr. 36 galvanized in accordance with AASHTO M 111. Cost included with Furnishing & Erecting Structural Steel.

**DETAIL A**

**BILL OF MATERIAL**

Bar	No.	Size	Length	Shape
h6(E)	84	#6	31'-4"	—
h7(E)	5	#5	22'-8"	—
n2(E)	246	#9	13'-3"	U
D2(E)	32	#7	31'-11"	—
s3(E)	60	#5	14'-1"	□
s4(E)	23	#4	6'-8"	□
t(E)	184	#8	14'-4"	—
u1(E)	21	#6	11'-1"	U
u3(E)	4	#6	11'-3"	U
u4(E)	4	#6	13'-4"	U
u5(E)	21	#6	12'-6"	U
v7(E)	246	#9	23'-11"	U
w(E)	84	#5	32'-1"	—
Cofferdam Excavation			Cu. Yd.	511.5
Concrete Structures			Cu. Yd.	328.2
Reinforcement Bars, Epoxy Coated			Pound	48970
Furnishing Metal Shell Piles 14"x .312"			Foot	2278
Driving Piles			Foot	2278
Test Pile, Metal Shells			Each	1
Pile Shoes			Each	68
Cofferdam (Type 2), Location 1			Each	1
Anchor Bolts 1/2"			Each	12
Seal Coat Concrete			Cu. Yd.	152.9

**PRE-FINAL**