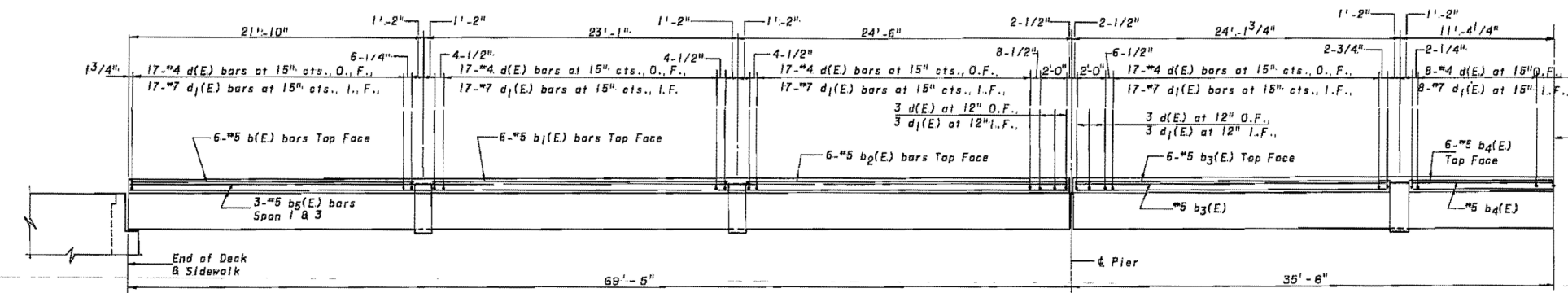


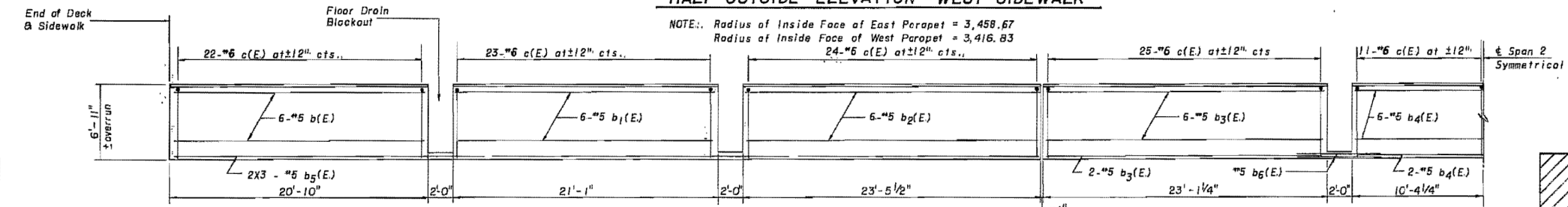
ROUTE NO.	SECTION	COUNTY	TOTAL SHEETS	SHEET NO.
F.A. 18	103-D-BR	JO DAVIESS	27	11

SHEET 3 OF 15 SHEETS

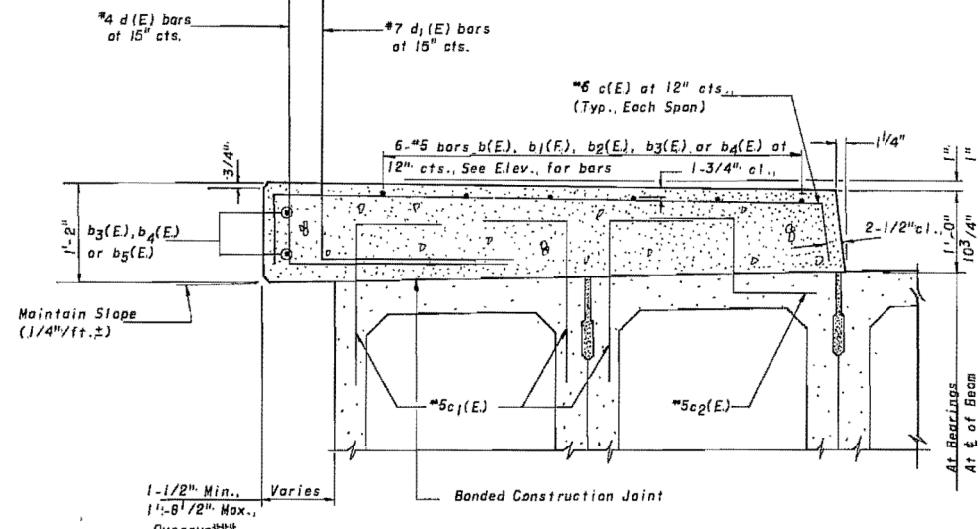


**HALF OUTSIDE ELEVATION - WEST SIDEWALK**

NOTE: Radius of Inside Face of East Parapet = 3,458.67  
Radius of Inside Face of West Parapet = 3,416.83

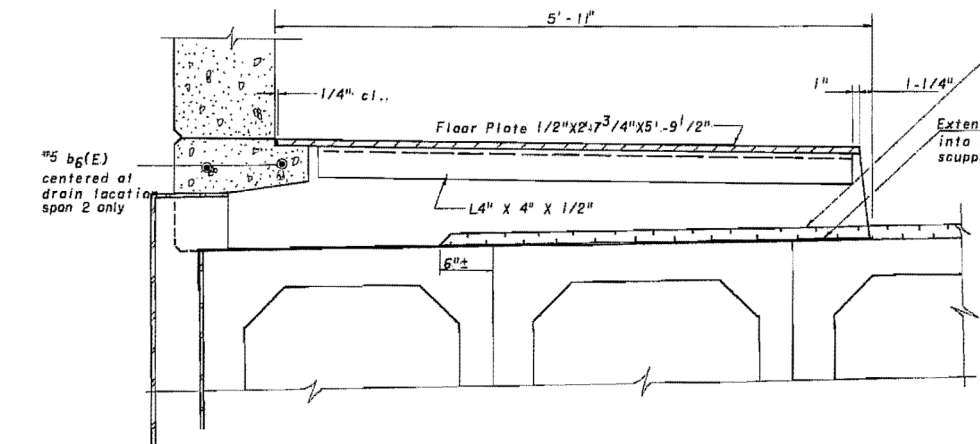


**HALF PLAN - WEST SIDEWALK**  
(EAST SIDEWALK SIMILAR)



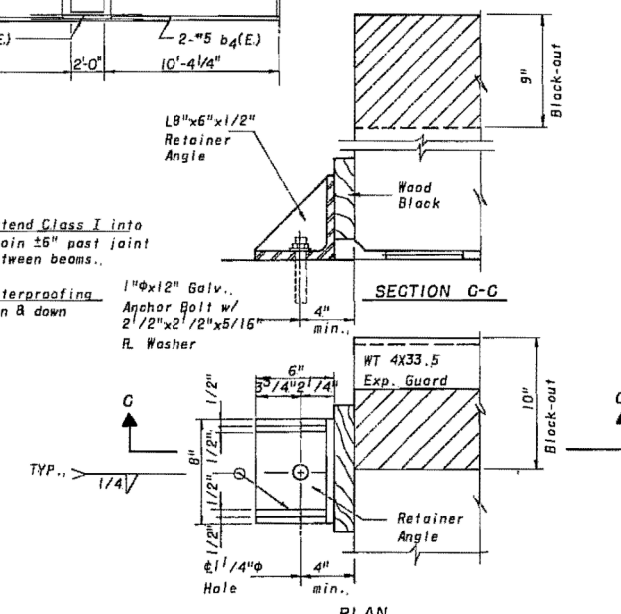
**TYPICAL SECTION THRU SIDEWALK**

NOTE: If overrun at either side exceeds 1-1/2\", the sidewalk on that side shall be widened sufficiently to cover the top of the outside beam & o/a deck adjusted.



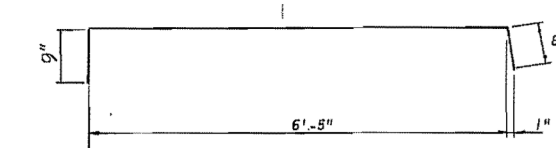
**DRAIN AT MINIMUM OVERHANG**

(See Sheet 4 for other Drain Details)



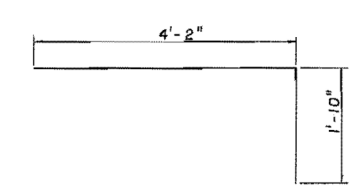
**RETAINER ANGLE DETAIL AT EXPANSION ENDS**

NOTES:  
1. Anchor bolts may be cast into the masonry or placed in drilled holes and grouted in place. Cast including Retainer Angle and Accessories incidental to Beams.  
2. After black-outs are poured and cured the retainer angles shall be removed. Anchor bolts may be left in place.



**BAR c(E)**

NOTE: Bars indicated thus 2X3 - etc., indicates 2 lines of bars with 3 lengths per line.



**BAR d(E) & d1(E)**

DESIGNED:	D.H.C.
CHECKED:	K.L.F.
DRAWN:	K.D.J.
CHECKED:	K.L.F.

**SUPERSTRUCTURE DECK  
SIDEWALK DETAILS**  
F.A. RTE. 18 OVER APPLE RIVER  
SECTION 103-D-BR  
JO DAVIESS COUNTY  
STATION 259+08.20

**FOR INFORMATION ONLY**



USER NAME = dheberling	DESIGNED -	REVISED -
FILE NAME = 0430028-64E08.dgn	CHECKED -	REVISED -
PLOT SCALE = 0:2.00000 '1' / in.	DRAWN -	REVISED -
PLOT DATE = 8/5/2013	CHECKED -	REVISED -

**STATE OF ILLINOIS  
DEPARTMENT OF TRANSPORTATION**

**EXISTING PLANS  
STRUCTURE NO. 043-0080**  
SHEET NO. 49 OF 60 SHEETS

F.A.P. RTE.	SECTION	COUNTY	TOTAL SHEETS	SHEET NO.
308	103BR-4	JO DAVIESS	159	99
CONTRACT NO. 64E08				

ILLINOIS FED. AID PROJECT

H. M. B. G. NO. 1950/002B