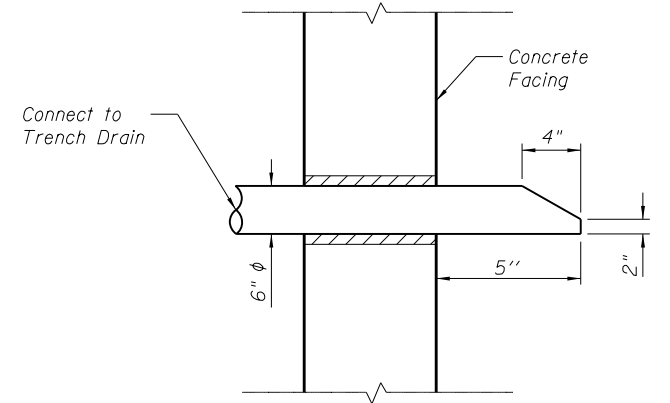
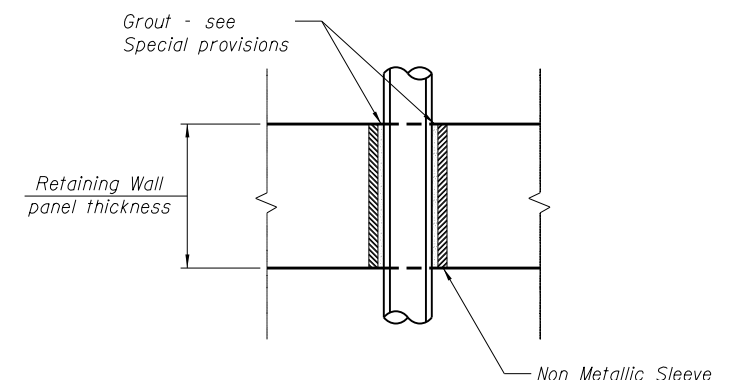
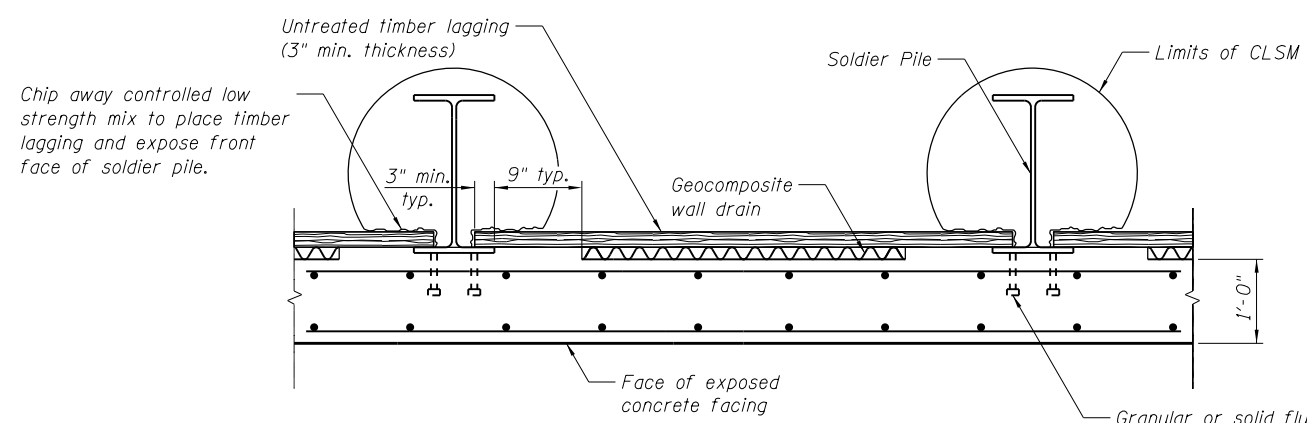
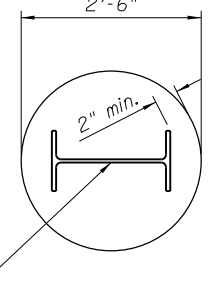
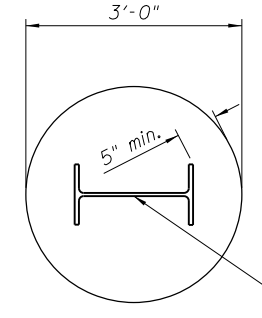


* Cost included in Pipe Underdrains for Structures, 4"



TRENCH DRAIN OUTLET DETAIL

FILE NAME = Z64E08-005-Soldier Pile Wall Detail.dgn
 MODEL = Default
 PLOT DRIVER = V8...IDOT.PDF...11x17.pltcf9



USER NAME =	DESIGNED -	REVISED
	CHECKED -	REVISED
PLOT SCALE =	DRAWN -	REVISED
PLOT DATE =	CHECKED -	REVISED

STATE OF ILLINOIS
 DEPARTMENT OF TRANSPORTATION

SOLDIER PILE WALL DETAILS
 RETAINING WALL #1

SHEET NO. 5 OF 7 SHEETS

F.A.P. R.T.E. = 308	SECTION = 103BR-4	COUNTY = JO DAVIESS	TOTAL SHEETS = 159	SHEET NO. = 115
CONTRACT NO. 64E08				
ILLINOIS FED. AID PROJECT				