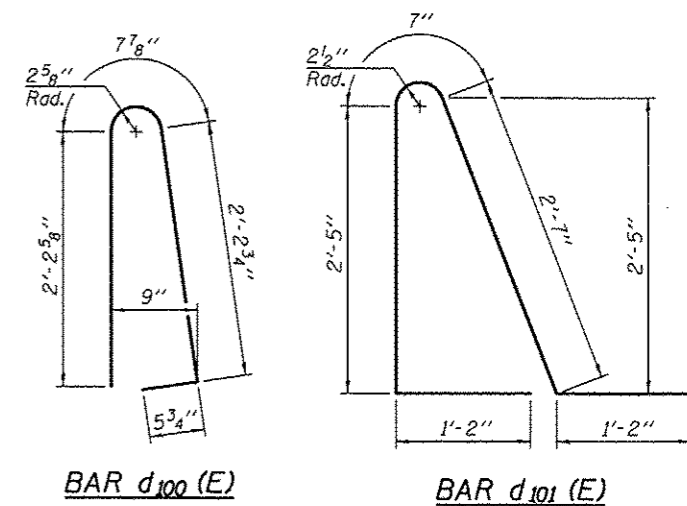
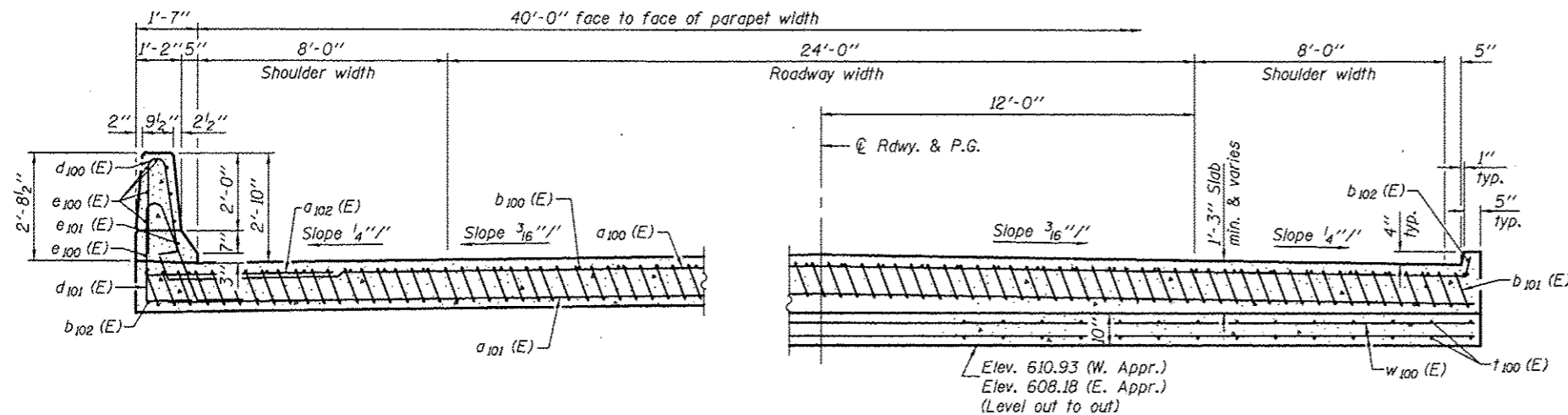


Notes:  
 See sheet 9 of 15 for Detail A and View B-B.  
 Approach slab and parapet concrete shall be paid for as Concrete Superstructure.  
 Approach footing concrete shall be paid for as Concrete Structures.  
 Reinforcement shall be paid for as Reinforcement Bars, Epoxy Coated.  
 For v(E) bars details, see sheets 11, 12, & 13 of 15.  
 The approach footing maximum applied service bearing pressure (Qmax) = 2.0 ksf.  
 Cost of excavation for approach footing included with Concrete Structures.  
 For Porous Granular Embankment (Special) and drainage treatment details, see sheet 2 of 15.  
 For additional parapet details, see sheet 8 of 15.

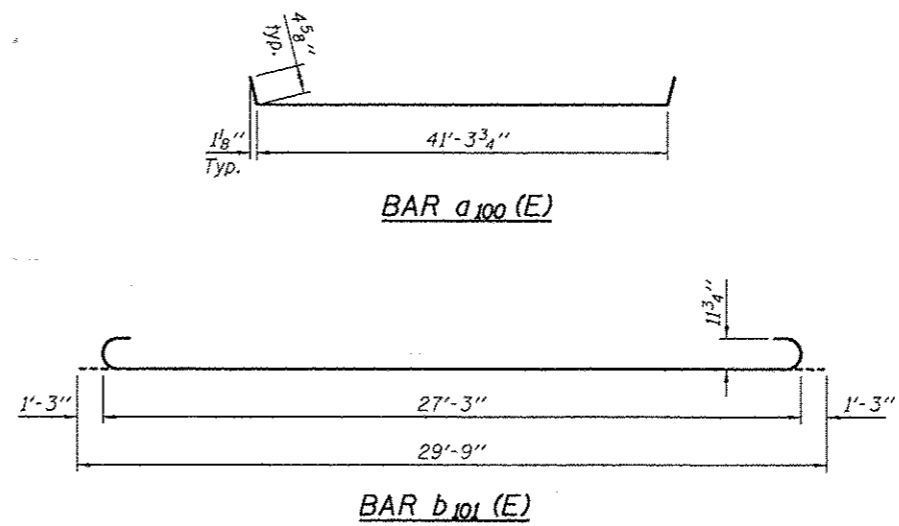
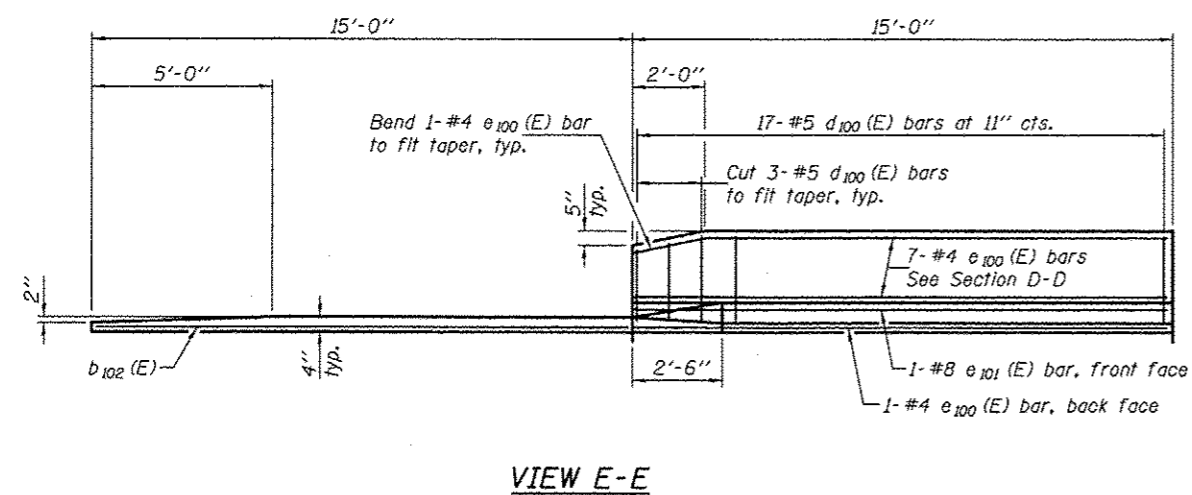
\*Tilt #9 b101 (E) bars as required to maintain clearance.  
 \*\*\*Cost included with Concrete Superstructure.



NEAR ABUTMENT  
 SECTION D-D  
 (See Plan for dimensions not shown)  
 AT APPROACH FOOTING

TWO APPROACHES  
 BILL OF MATERIAL

Bar	No.	Size	Length	Shape
a100 (E)	50	#4	42'-1"	—
a101 (E)	92	#5	41'-6"	—
a102 (E)	48	#6	6'-6"	—
b100 (E)	68	#4	29'-8"	—
b101 (E)	202	#9	29'-9"	—
b102 (E)	8	#4	14'-8"	—
d100 (E)	68	#5	5'-7"	U
d101 (E)	68	#5	7'-11"	U
e100 (E)	32	#4	14'-8"	—
e101 (E)	4	#8	14'-8"	—
t100 (E)	84	#4	9'-8"	—
w100 (E)	80	#5	41'-6"	—
Concrete Superstructure		Cu. Yd.	125.7	
Concrete Structures		Cu. Yd.	25.8	
Reinforcement Bars, Epoxy Coated		Pound	33150	



VIEW E-E  
 BAR a100 (E)  
 BAR b101 (E)