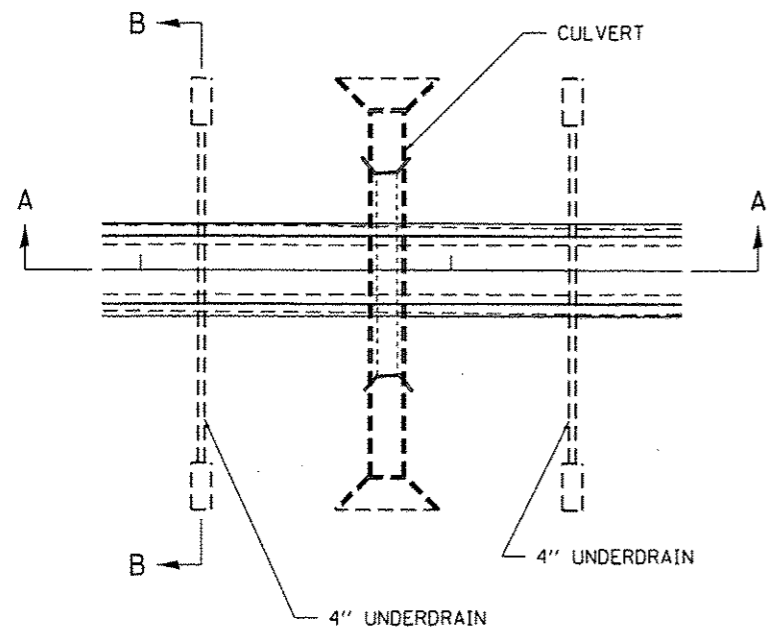


# UNDERDRAIN FOR ACROSS ROAD (AR) CULVERTS



### NOTES:

IN SAG CONDITIONS INSTAL PIPE UNDERDRAINS ON BOTH SIDES OF CULVERT.

ON HIGHWAY GRADES GREATER THAN 2% INSTALL PIPE UNDERDRAINS ON THE HIGH SIDE OF THE CULVERT.

THIS WORK SHALL BE COMPLETED ACCORDING TO SECTION 601 OF THE STANDARD SPECIFICATION.

THE UNDERDRAIN SHALL EXTEND UNTIL INTERSECTING WITH THE SIDE SLOPES. THE PIPES SHALL DRAIN INTO CONCRETE HEADWALLS. (SEE ARTICLE 601.05 OF THE STANDARD SPECIFICATIONS AND HIGHWAY STANDARDS 601101).

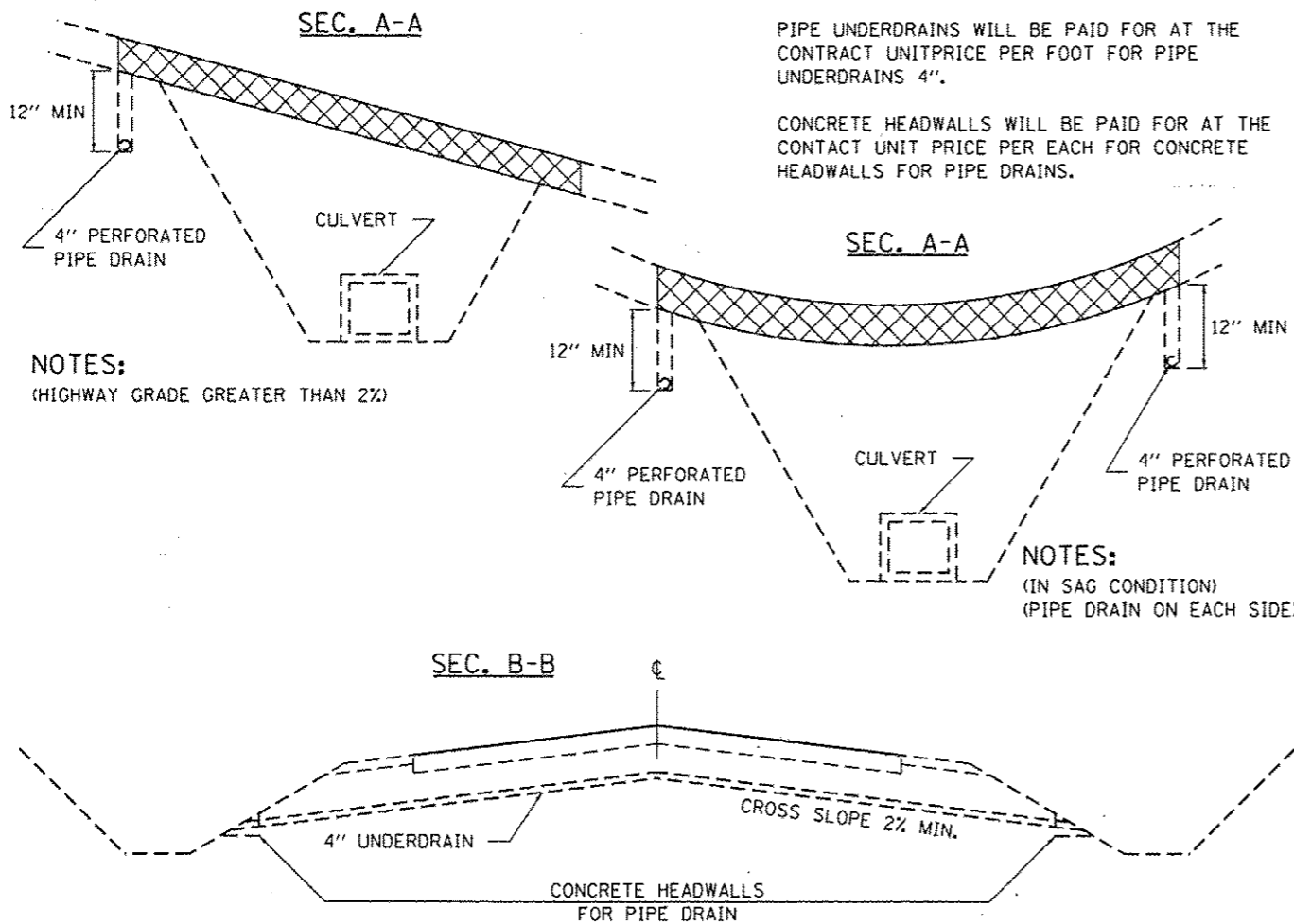
THE UNDERDRAIN SHALL BE A MINIMUM OF 12" BELOW THE EXISTING PAVEMENT.

THE TRENCH FOR THE UNDERDRAIN SHALL BE BACKFILLED WITH CA7 OR CA16.

THE TRENCH SHALL BE WRAPPED USING A FABRIC ENVELOPE MEETING THE REQUIREMENTS OF ARTICLE 1080.05 OF THE STANDARD SPECIFICATIONS. FABRIC ENCASING THE PIPE SHALL BE ELIMINATED.

PIPE UNDERDRAINS WILL BE PAID FOR AT THE CONTRACT UNITPRICE PER FOOT FOR PIPE UNDERDRAINS 4".

CONCRETE HEADWALLS WILL BE PAID FOR AT THE CONTACT UNIT PRICE PER EACH FOR CONCRETE HEADWALLS FOR PIPE DRAINS.

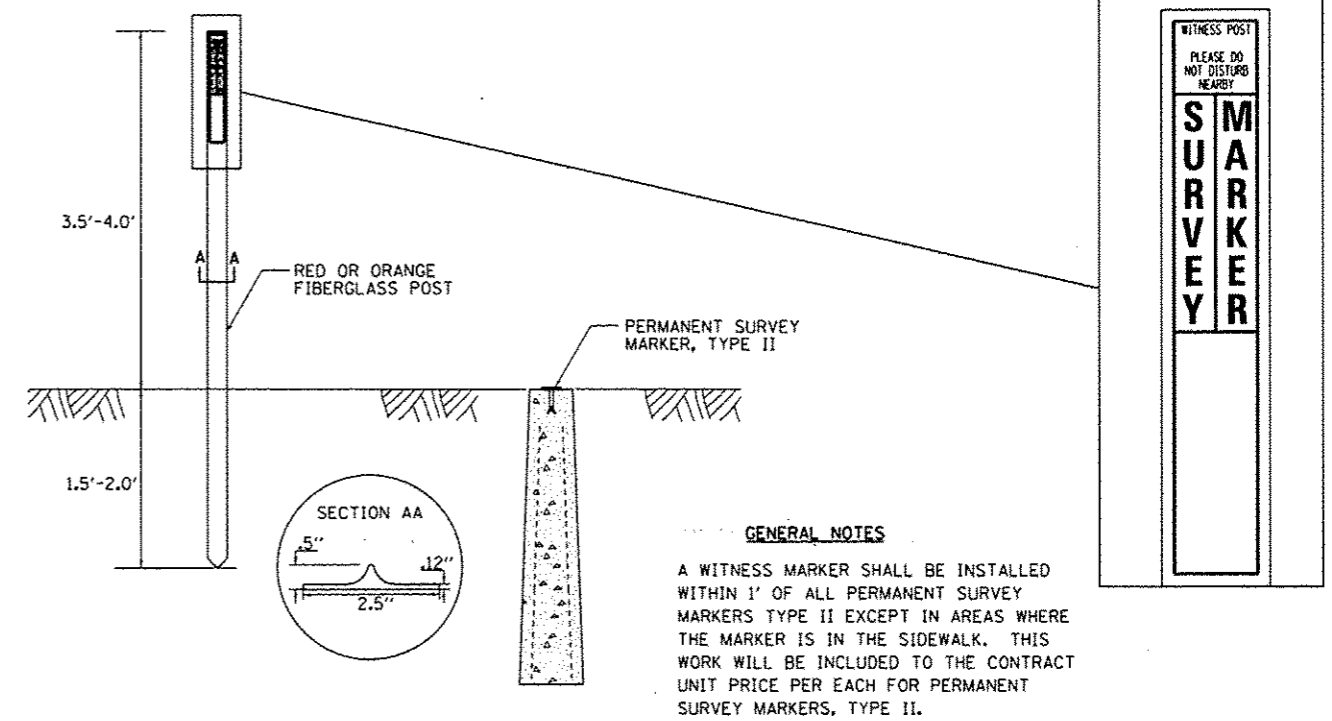


NOTES:  
(HIGHWAY GRADE GREATER THAN 2%)

NOTES:  
(IN SAG CONDITION)  
(PIPE DRAIN ON EACH SIDE)

REVISED - 7-05-12

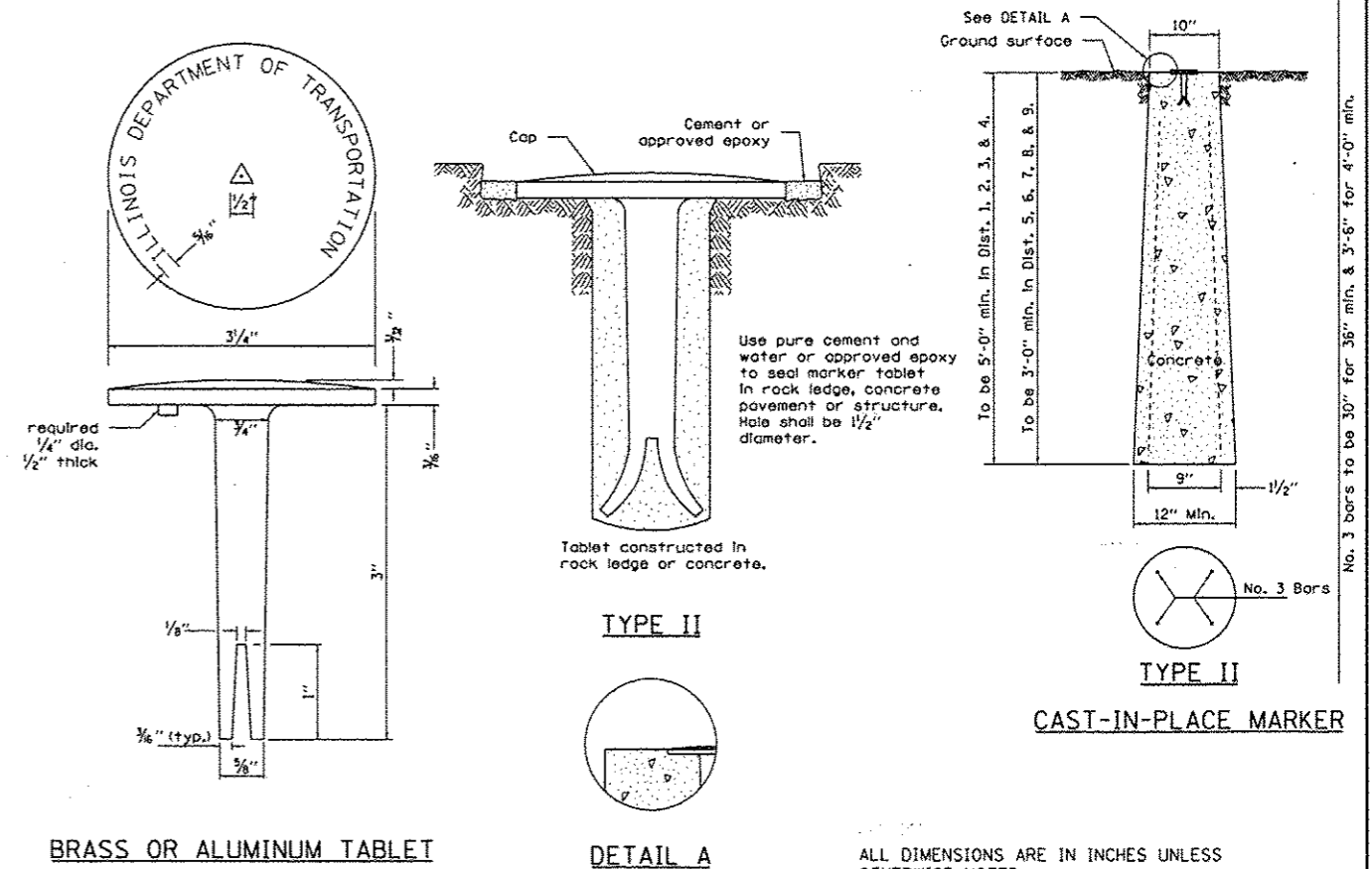
# WITNESS MARKER FOR PERMANENT SURVEY MARKERS, TYPE II



### GENERAL NOTES

A WITNESS MARKER SHALL BE INSTALLED WITHIN 1' OF ALL PERMANENT SURVEY MARKERS TYPE II EXCEPT IN AREAS WHERE THE MARKER IS IN THE SIDEWALK. THIS WORK WILL BE INCLUDED TO THE CONTRACT UNIT PRICE PER EACH FOR PERMANENT SURVEY MARKERS, TYPE II.

# PERMANENT SURVEY MARKERS, TYPE II



BRASS OR ALUMINUM TABLET

DETAIL A

TYPE II

TYPE II

CAST-IN-PLACE MARKER

ALL DIMENSIONS ARE IN INCHES UNLESS OTHERWISE NOTED.

REVISED - 10-14-11	REGION 2 / DISTRICT 2 STANDARD		F.A.S. RTE. 226	SECTION 3T & 3BR-1	COUNTY HENRY	TOTAL SHEETS 210	SHEET NO. 101
REVISED -	SCALE: 20,000' = 1" / 10'	SHEET NO. OF SHEETS STA. TO STA.	FED. ROAD DIST. NO. [ILLINOIS] FED. AID PROJECT		CONTRACT NO. 64F25		

PLOT DATE: Fri Oct 19 13:41:19 2012