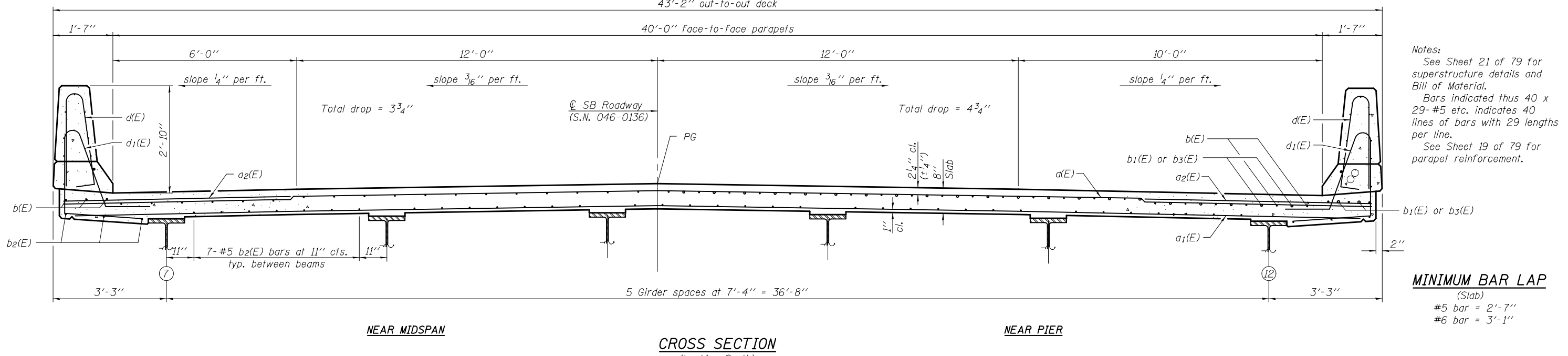
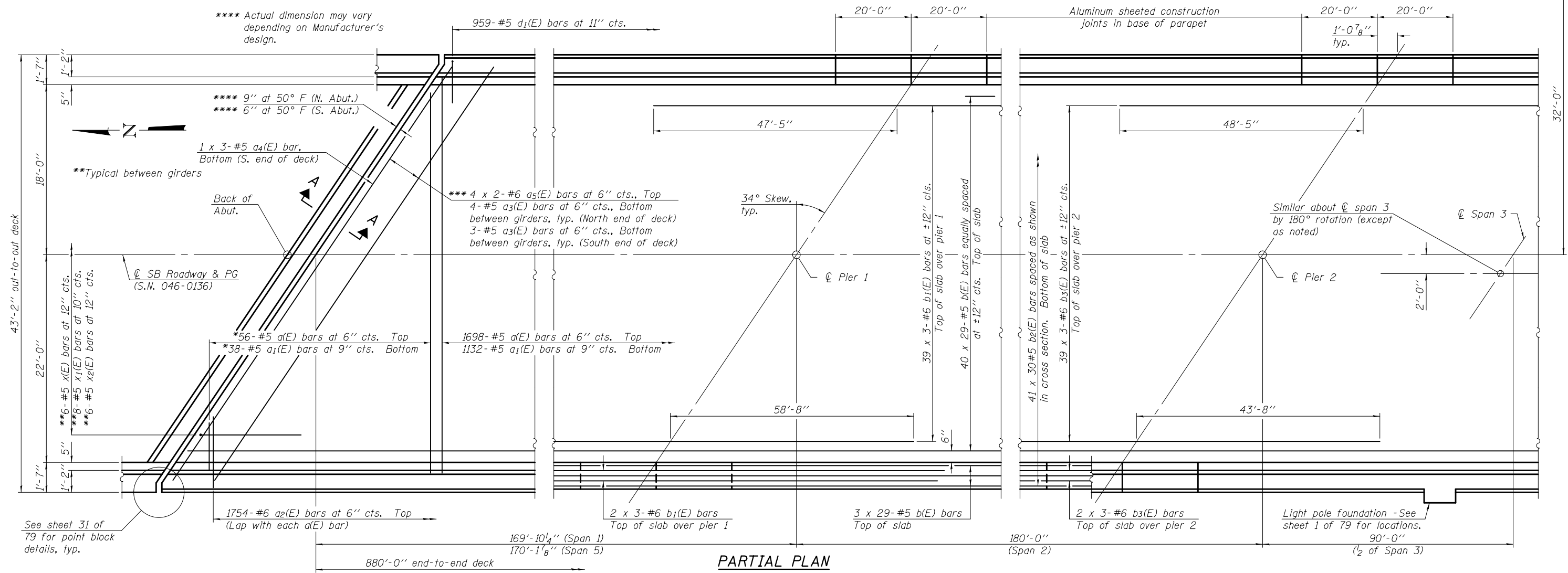


* Order a(E) & a₁(E) bars full length. Cut to fit skew and use remainder of bars in opposite end.

*** Order a₅(E) bars full length. Cut to fit between modular joint support boxes.

**** Actual dimension may vary depending on Manufacturer's design.

℄ F.A.I. Rte. 57



DESIGNED - DAVID H. RICHTER	EXAMINED - <i>James F. Joffe</i> ACTING ENGINEER OF BRIDGE DESIGN	DATE - OCTOBER 4, 2013	STATE OF ILLINOIS DEPARTMENT OF TRANSPORTATION	SUPERSTRUCTURE STRUCTURE NO. 046 - 0136 (SB)	F.A.I. RTE. 57	SECTION (140)BR&BR-1	COUNTY KANKAKEE	TOTAL SHEETS 183	SHEET NO. 58
CHECKED - JUSTIN T. BELUE	PASSED - <i>Carl Kreyer</i> ACTING ENGINEER OF BRIDGES AND STRUCTURES	REVISED -			SHEET NO. 18 OF 79 SHEETS	ILLINOIS FED. AID PROJECT			
DRAWN - MICHAEL B. MOSSMAN	REVISED -	CONTRACT NO. 66750							
CHECKED - J.T.B. / D.H.R.	REVISED -								