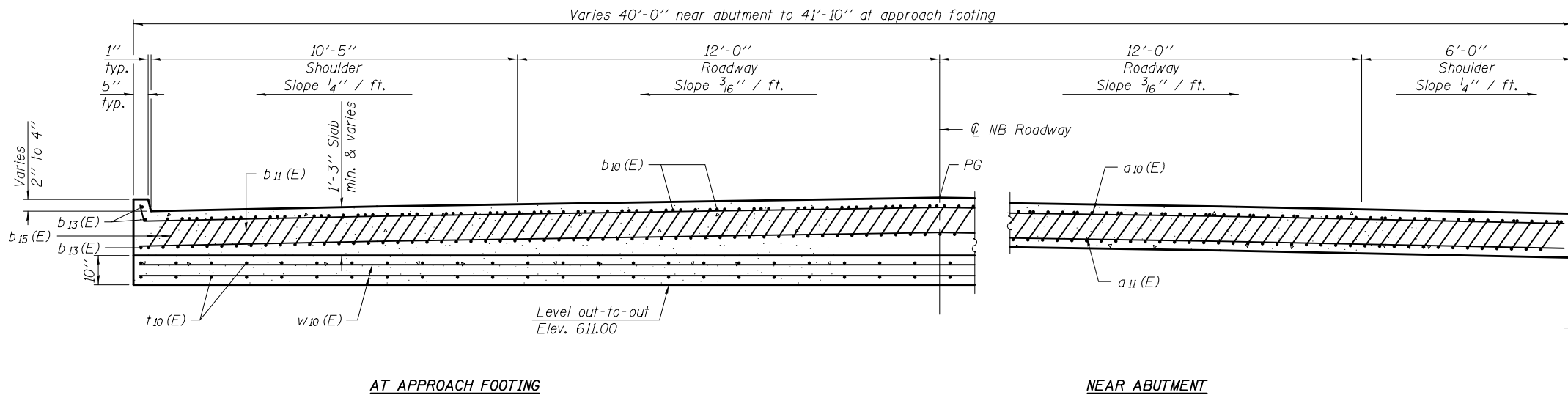
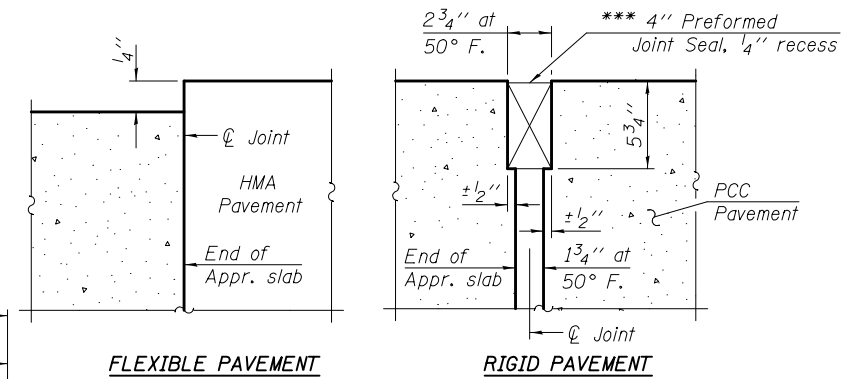


Notes:

Approach slab concrete shall be paid for as Concrete Superstructure.
 Approach footing concrete shall be paid for as Concrete Structures.
 Reinforcement shall be paid for as Reinforcement Bars, Epoxy Coated.
 For v₆₀(E) bar details, see sheet 52 of 79.
 The approach footing maximum applied service bearing pressure (Q_{max}) = 2.0 ksf.
 For bar splicer details, see sheet 66 of 79.
 Cost of excavation for approach footing included with Concrete Structures.
 For Granular Backfill and drainage treatment details, see sheet 2 of 79.



DETAIL A

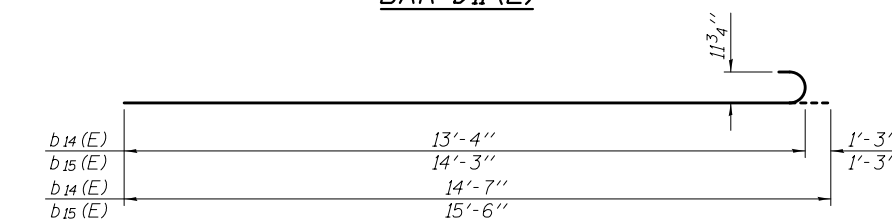
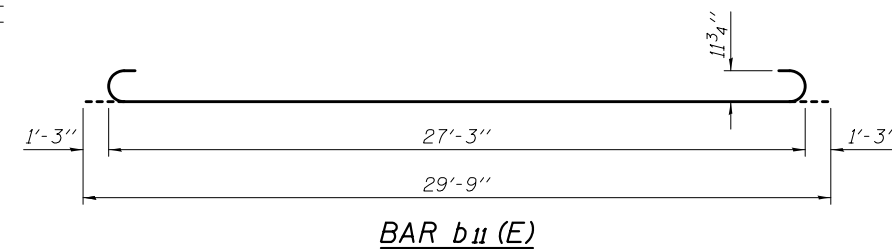
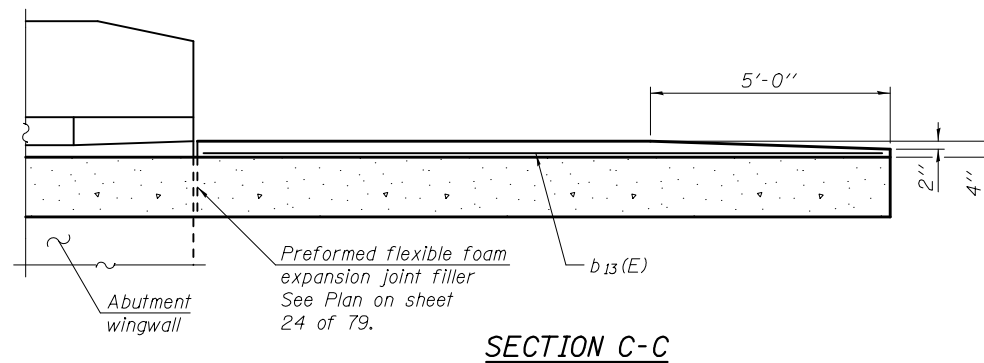
PREFORMED JOINT SEAL

VIEW D-D

(Horizontal dimensions are at Rt. L's to ϕ Roadway. See Plan on sheet 24 of 79 for dimensions not shown.)

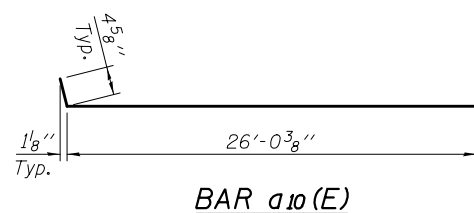
* Tilt #9 b₁₁(E), b₁₄(E), and b₁₅(E) bars as required to maintain clearance.

*** Cost included with Concrete Superstructure.



NB SOUTH APPROACH BILL OF MATERIAL

Bar	No.	Size	Length	Shape
a ₁₀ (E)	50	#4	26'-5"	┌───┐
a ₁₁ (E)	138	#5	18'-5"	┌───┐
b ₁₀ (E)	33	#4	29'-7"	┌───┐
b ₁₁ (E)	96	#9	29'-9"	┌───┐
b ₁₂ (E)	3	#4	13'-4"	┌───┐
b ₁₃ (E)	3	#4	14'-3"	┌───┐
b ₁₄ (E)	2	#9	14'-7"	┌───┐
b ₁₅ (E)	2	#9	15'-6"	┌───┐
t ₁₀ (E)	84	#4	11'-9"	┌───┐
w ₁₀ (E)	80	#5	26'-5"	┌───┐
Concrete Superstructure			Cu. Yd.	60.5
Concrete Structures			Cu. Yd.	15.6
Reinforcement Bars, Epoxy Coated			Pound	17,020



(Sheet 2 of 2)

DESIGNED - DAVID H. RICHTER	EXAMINED - <i>Jaime F. J. [Signature]</i>	DATE - OCTOBER 4, 2013
CHECKED - JUSTIN T. BELUE	PASSED - <i>Carl [Signature]</i>	REVISOR -
DRAWN - MICHAEL B. MOSSMAN	ACTING ENGINEER OF BRIDGES AND STRUCTURES	REVISOR -
CHECKED - J.T.B. / D.H.R.		

STATE OF ILLINOIS
 DEPARTMENT OF TRANSPORTATION

SOUTH BRIDGE APPROACH SLAB DETAILS
 STRUCTURE NO. 046 - 0135 (NB)

SHEET NO. 25 OF 79 SHEETS

F.A.I. RTE.	SECTION	COUNTY	TOTAL SHEETS	SHEET NO.
57	(140)BR&BR-1	KANKAKEE	183	65
			CONTRACT NO. 66750	
ILLINOIS FED. AID PROJECT				