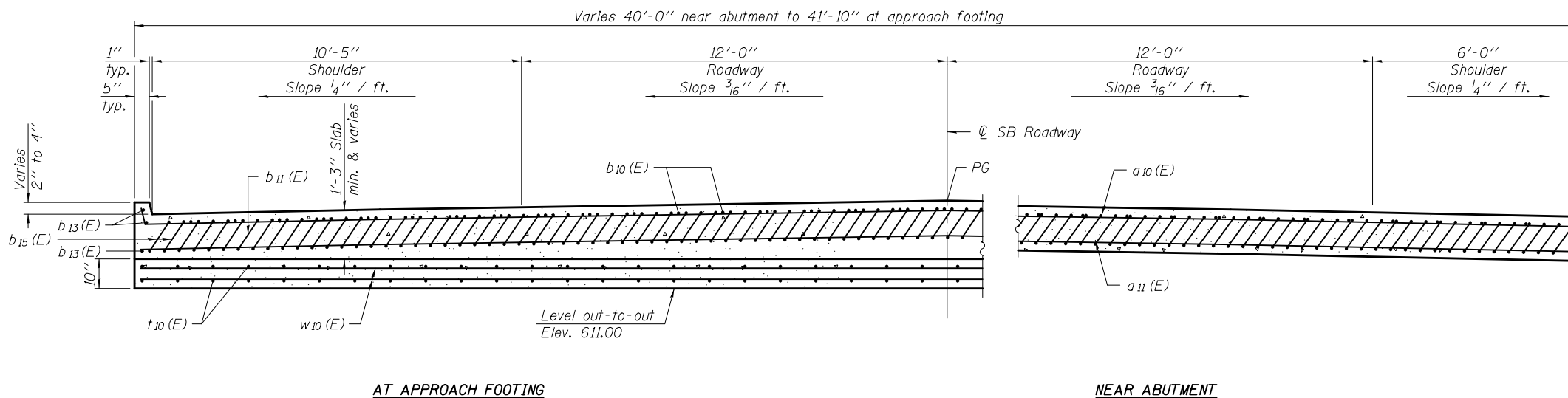
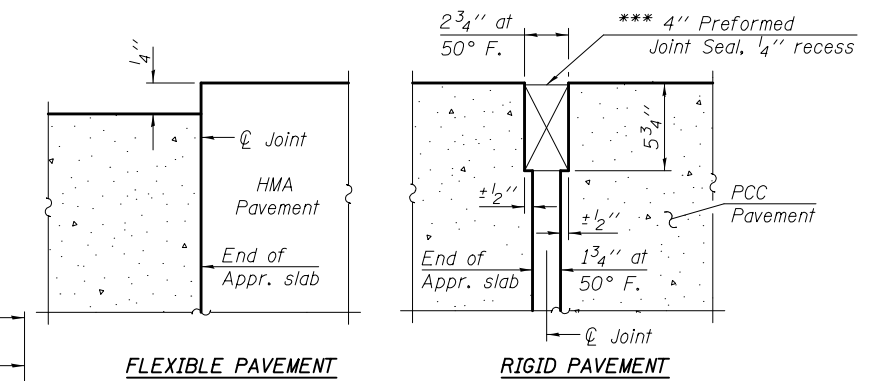


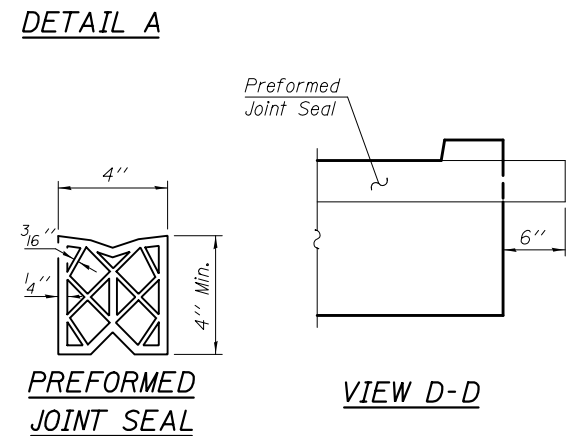
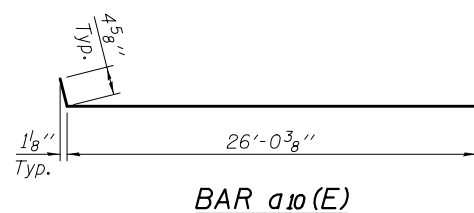
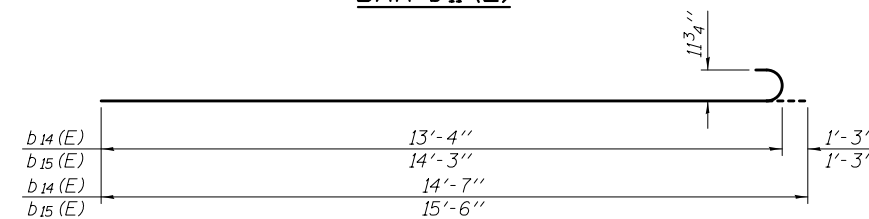
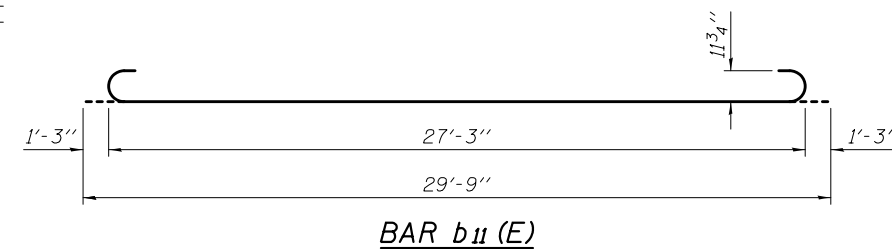
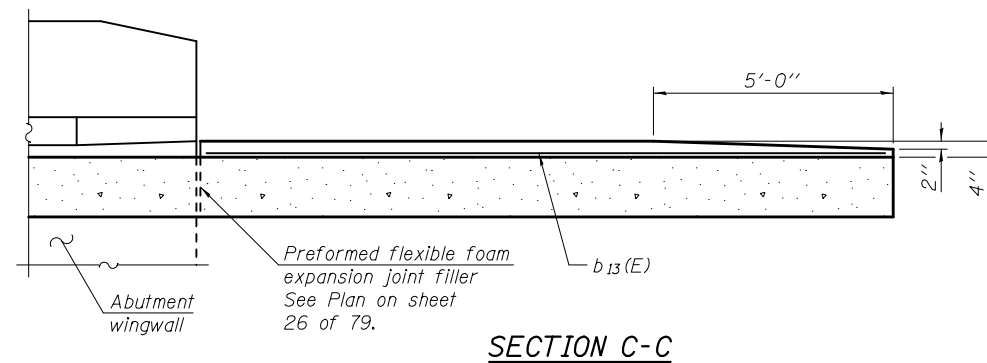
Notes:

- Approach slab concrete shall be paid for as Concrete Superstructure.
- Approach footing concrete shall be paid for as Concrete Structures.
- Reinforcement shall be paid for as Reinforcement Bars, Epoxy Coated.
- For $v_{60}(E)$ bar details, see sheet 52 of 79.
- The approach footing maximum applied service bearing pressure (Q_{max}) = 2.0 ksf.
- For bar splicer details, see sheet 66 of 79.
- Cost of excavation for approach footing included with Concrete Structures.
- For Granular Backfill and drainage treatment details, see sheet 2 of 79.



SECTION B-B
(Horizontal dimensions are at Rt. L's to \varnothing Roadway.
See Plan on sheet 26 of 79 for dimensions not shown.)

* Tilt #9 $b_{11}(E)$, $b_{14}(E)$, and $b_{15}(E)$ bars as required to maintain clearance.
*** Cost included with Concrete Superstructure.



SB NORTH APPROACH
BILL OF MATERIAL

Bar	No.	Size	Length	Shape
$a_{10}(E)$	50	#4	26'-5"	—
$a_{11}(E)$	138	#5	18'-5"	—
$b_{10}(E)$	33	#4	29'-7"	—
$b_{11}(E)$	96	#9	29'-9"	—
$b_{12}(E)$	3	#4	13'-4"	—
$b_{13}(E)$	3	#4	14'-3"	—
$b_{14}(E)$	2	#9	14'-7"	—
$b_{15}(E)$	2	#9	15'-6"	—
$t_{10}(E)$	84	#4	11'-9"	—
$w_{10}(E)$	80	#5	26'-5"	—
Concrete Superstructure			Cu. Yd.	60.5
Concrete Structures			Cu. Yd.	15.6
Reinforcement Bars, Epoxy Coated			Pound	17,020

DESIGNED - DAVID H. RICHTER	EXAMINED - <i>Joanne F. J...</i>	DATE - OCTOBER 4, 2013
CHECKED - JUSTIN T. BELUE	PASSED - <i>Carl...</i>	REVISOR -
DRAWN - MICHAEL B. MOSSMAN	ACTING ENGINEER OF BRIDGES AND STRUCTURES	REVISOR -
CHECKED - J.T.B. / D.H.R.		

STATE OF ILLINOIS
DEPARTMENT OF TRANSPORTATION

NORTH BRIDGE APPROACH SLAB DETAILS
STRUCTURE NO. 046 - 0136 (SB)

SHEET NO. 27 OF 79 SHEETS

F.A.I. RTE.	SECTION	COUNTY	TOTAL SHEETS	SHEET NO.
57	(140)BR&BR-1	KANKAKEE	183	67
			CONTRACT NO. 66750	
ILLINOIS FED. AID PROJECT				

(Sheet 2 of 2)